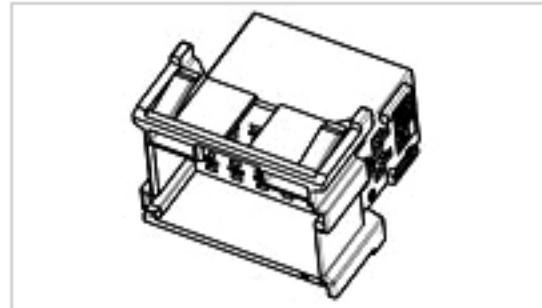


1-967626-2 Product Details

[Share](#) | [Print](#) | [Email](#)


Active

[View 3D PDF](#)

Timer Connectors & Accessories

TAB HOUSING, 2,8MM 9POS

1-967626-2

TE Internal Number: 1-967626-2

Product Highlights [View All](#)

- Connector
- Housing
- Connector Style = Plug
- Not Preloaded
- Contact Type = Tab

- [Pricing & Availability](#)
- [Request Sample](#)
- [Add to My Part List](#)
- [Buy Product through Distributor](#)

Feedback

[Documents](#) | [Features](#) | [Compliance](#)

Please Note:
Use the Product Drawing for all design activity

Product Type Features	
Product Type	Connector
Connector Type	Housing
Type of Connector	2.8, JPT

Dimensions	
Mating Area Interface Dimensions (mm [in])	2.79 x 0.8 [.110 x .032]

Body Features	
Connector Code	A

Contact Features	
Contact Type	Tab

Housing Features	
Connector Style	Plug
Housing Material	PA 6.6
Housing Color	Gentian Blue
Centerline (mm [in])	5.00 [0.197]

Configuration Features	
Preloaded	No
Number of Positions	9

Industry Standards	
RoHS/ELV Compliance	RoHS compliant, ELV compliant
Lead Free Solder Processes	Not relevant for lead free process
RoHS/ELV Compliance History	Always was RoHS compliant

Other	
Brand	AMP
Comment	With Secondary Locking.
Node Classification	Automotive Connectors

Related Products

Not quite the product you're looking for?
[Find Similar Products](#)

[View Part in Product Feature Selector](#)

[Check for Tooling](#)