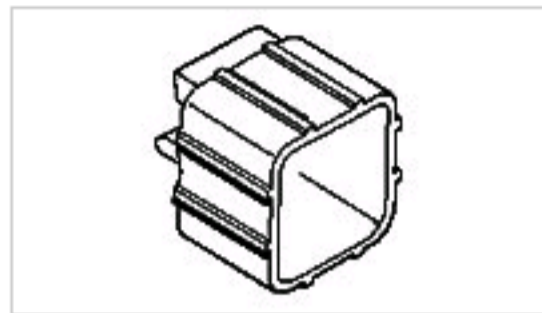


# 1-174658-1 Product Details

[Share](#) | [Print](#) | [Email](#)


## Econoseal J Series [Mark II (+)]

E-J MK-2 CAP HSG 10P NATURAL

**1-174658-1**

TE Internal Number: 1-174658-1

**Active**

[View 3D PDF](#)

**Product Highlights** [View All](#)

- Econoseal J Product Line
- 070 Series
- Accessory
- Wire-to-Wire
- Accessory Type = Double Lock Plate

- [Pricing & Availability](#)
- [Request Sample](#)
- [Add to My Part List](#)
- [Buy Product through Distributor](#)

Feedback

[Documents](#) | [Features](#) | [Compliance](#)

**Please Note:**  
Use the Product Drawing for all design activity

Product Type Features	
Product Line	Econoseal J
Product Type	Accessory
Accessory Type	Double Lock Plate
Accessory Color	Natural
Body Features	
Row-to-Row Spacing (mm [in])	5.60 [0.220]
Accessory Material	PBT
Housing Features	
Centerline (mm [in])	4.80 [0.1889]
Configuration Features	
GET 0.64 Connector System	No
Number of Rows	5 x 2
Number of Positions	10

Industry Standards	
RoHS/ELV Compliance	RoHS compliant, ELV compliant
Lead Free Solder Processes	Not relevant for lead free process
RoHS/ELV Compliance History	Always was RoHS compliant
Conditions for Usage	
For Use With	Cap (Tab) Housing
Operation/Application	
Application Use	Wire-to-Wire
Packaging Features	
Packaging Method	Bag/Box
Other	
Series	070
Brand	AMP

**Related Products**

Not quite the product you're looking for?  
[Find Similar Products](#)

[View Part in Product Feature Selector](#)

[Check for Tooling](#)