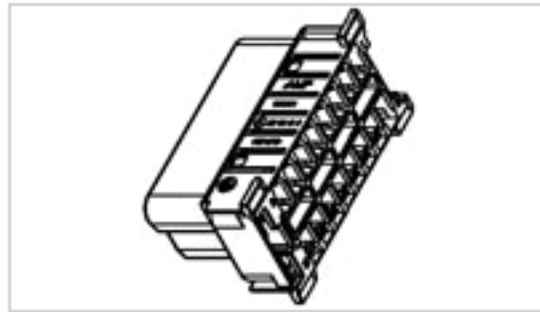


1418984-1 Product Details

[Share](#) | [Print](#) | [Email](#)


✓ **Active**

[View 3D PDF](#)

Timer Connectors & Accessories

MICRO TIMER 3 REC.HSG.16POS.

1418984-1

TE Internal Number: 1418984-1

Product Highlights [View All](#)

- Connector
- Housing
- Connector Style = Receptacle
- Not Preloaded
- Contact Type = Socket

[Pricing & Availability](#)

[Request Sample](#)

[Add to My Part List](#)

[Buy Product through Distributor](#)

Feedback

[Documents](#) | [Features](#) | [Compliance](#)

Please Note:
Use the Product Drawing for all design activity

Product Type Features	
Product Type	Connector
Connector Type	Housing
Type of Connector	Micro Timer 3
Sealed	No

Body Features	
Connector Code	B

Contact Features	
Contact Type	Socket

Housing Features	
Connector Style	Receptacle
Housing Material	PBT GF
Housing Color	Blue
Centerline, Matrix (mm [in])	4.00 x 8.60 [.157 x .338]

Configuration Features	
Preloaded	No
Number of Positions	16

Industry Standards	
RoHS/ELV Compliance	RoHS compliant, ELV compliant
Lead Free Solder Processes	Not relevant for lead free process
RoHS/ELV Compliance History	Always was RoHS compliant

Conditions for Usage	
For Use With	Frame: 1418985

Other	
Brand	AMP
Comment	Contacts sold separately.; See drawing for additional product information.
Node Classification	Automotive Connectors

Related Products

Not quite the product you're looking for?
[Find Similar Products](#)

[View Part in Product Feature Selector](#)

[Check for Tooling](#)

Corporate Information

- [About TE](#)
- [Investors](#)
- [News Room](#)
- [Supplier Portal](#)
- [Careers](#)
- [Terms & Conditions](#)
- [Privacy Policy](#)
- [Global Accessibility Statement](#)

Quick Links

- [Distributor Inventory](#)
- [Product Cross Reference](#)
- [Documents & Drawings](#)
- [Product Compliance Support Center](#)
- [Site Map](#)

Customer Support

- [Email or Chat With Us](#)
- [Find a Phone Number](#)
- [Knowledge Base](#)
- [Manage Your Account](#)

Keep Me Informed

