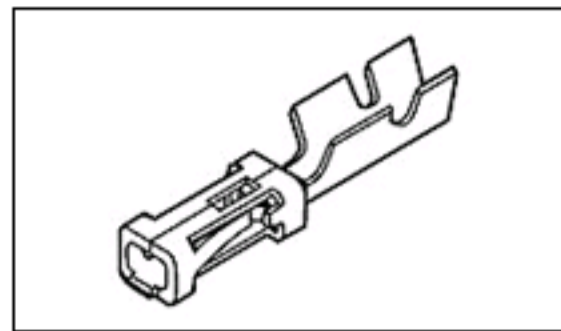


87523-6 Product Details

[Share](#) | [Print](#) | [Email](#)


87523-6

TE Internal Number: 87523-6

Active

[View 3D PDF](#)

.100 AMPMODU Headers, Housings & Contacts

Always EU RoHS/ELV Compliant (Statement of Compliance)

Product Highlights:

- Contact
- Contact Type = Socket
- Crimp Termination Method to Wire/Cable
- Applies To Wire/Cable
- Wire Insulation Diameter = 1.75 mm

[View all Features](#)

Quick Links

- ▶ [Pricing & Availability](#)
- ▶ [Search for Tooling](#)
- ▶ [Product Feature Selector](#)
- ▶ [Contact Us About This Product](#)

Feedback

[Add to My Part List](#) | [Request Sample](#) | [Find Similar Products](#) | [Buy Product](#)

Documentation & Additional Information	
<p>Product Drawings:</p> <ul style="list-style-type: none"> • CONTACT, MOD IV CRIMP SNAP-IN RECEPTACLE (PDF, English) <p>Catalog Pages/Data Sheets:</p> <ul style="list-style-type: none"> • AMPMODU_INTERCONNECTION_SYSTEM_SECTIONS5_CONT (PDF, English) <p>Product Specifications:</p> <ul style="list-style-type: none"> • PRODUCT SPECIFICATION INTERCONNECTION SYSTEM, AMPMOD... (PDF, English) <p>Application Specifications:</p> <ul style="list-style-type: none"> • AMPMODU MOD IV, IV1/2, and V Receptacles and Housings (PDF, English) <p>Instruction Sheets:</p> <ul style="list-style-type: none"> • None Available <p>CAD Files: (CAD Format & Compression Information)</p> <ul style="list-style-type: none"> • 2D Drawing (DXF, Version U) • 3D Model (IGES, Version U) • 3D Model (STEP, Version U) 	<p>Additional Information:</p> <ul style="list-style-type: none"> • Product Line Information <p>Related Products:</p> <ul style="list-style-type: none"> • Tooling

[List all Documents](#)

Product Features (Please use the Product Drawing for all design activity)	
<p>Product Type Features:</p> <ul style="list-style-type: none"> • Product Type = Contact • Wire Insulation Diameter (mm [in]) = 1.75 [0.069] • Connector Series = Mod IV • With Insulation Support = Yes • Applied Pressure = Standard <p>Electrical Characteristics:</p> <ul style="list-style-type: none"> • Contact - Rated Current (A) = 3 • Voltage Rating (VAC) = 250 • Termination Resistance (mΩ) = 12 • Insulation Resistance (MΩ) = 5,000 • Dielectric Withstanding Voltage (V) = 750 <p>Termination Features:</p> <ul style="list-style-type: none"> • Termination Method to Wire/Cable = Crimp • Crimp Area Plating = Bright Tin <p>Body Features:</p> <ul style="list-style-type: none"> • Wire Range (mm [AWG]) = 0.20-0.60² [24-20] 	<p>Contact Features:</p> <ul style="list-style-type: none"> • Contact Type = Socket • Contact Plating, Mating Area, Material = Tin • Contact Base Material = Copper-Tin-Phosphor Bronze <p>Industry Standards:</p> <ul style="list-style-type: none"> • RoHS/ELV Compliance = RoHS compliant, ELV compliant • Lead Free Solder Processes = Not relevant for lead free process • RoHS/ELV Compliance History = Always was RoHS compliant • Approved Standards = UL E28476, CSA LR7189 <p>Environmental:</p> <ul style="list-style-type: none"> • Operating Temperature (°C) = -65 - +105 <p>Conditions for Usage:</p> <ul style="list-style-type: none"> • Applies To = Wire/Cable <p>Packaging Features:</p> <ul style="list-style-type: none"> • Packaging Method = Loose Piece/Bulk <p>Other:</p> <ul style="list-style-type: none"> • Brand = AMP • Comment = (*) For use with Model "K" machines. Call the Technical Assistance Center (1-800-522-6752) for part numbers of applicators for use with Model "G" machines, as well as other bench machines and fully automatic AMPOMATOR lead making machines.

Corporate Information

- [About TE](#)
- [Investors](#)
- [News Room](#)
- [Supplier Portal](#)
- [Careers](#)
- [Terms & Conditions](#)
- [Privacy Policy](#)

Quick Links

- [Distributor Inventory](#)
- [Product Cross Reference](#)
- [Documents & Drawings](#)
- [Product Compliance Support Center](#)
- [Site Map](#)

Customer Support

- [Email or Chat With Us](#)
- [Find a Phone Number](#)
- [Knowledge Base](#)
- [Manage Your Account](#)

Keep Me Informed

