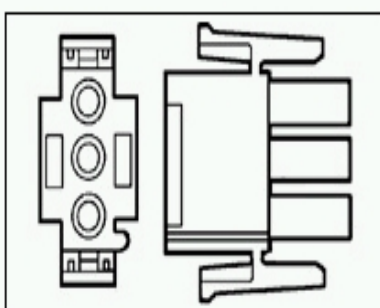


926298-3 Product Details

Have a Question?

Chat with a Product Information Specialist



926298-3

.250" Centerline, 600 V, 19 - 36 A max

[Always EU RoHS/ELV Compliant \(Statement of Compliance\)](#)

Product Highlights:

- Connector
- Universal MATE-N-LOK Product Line
- Housing
- Connector Style = Plug
- Contact Type = Pin or Socket

[View all Features](#)

TE Internal Number: 926298-3

Active

[View 3D PDF](#)

[Add to My Part List](#) [Request Sample](#) [Find Similar Products](#) [Buy Product](#)

Quick Links

- ▶ [Check Pricing & Availability](#)
- ▶ [Search for Tooling](#)
- ▶ [Product Feature Selector](#)
- ▶ [Contact Us About This Product](#)

Documentation & Additional Information

Product Drawings:

- [UNIVERSAL MATE-N-LOK 4-POLIGES STECKERGEHAUSE](#) (PDF, English)

Catalog Pages/Data Sheets:

- None Available

Product Specifications:

- None Available

Application Specifications:

- None Available

Instruction Sheets:

- None Available

CAD Files: ([CAD Format & Compression Information](#))

- [2D Drawing](#) (DXF, Version F2)
- [3D Model](#) (IGES, Version F2)
- [3D Model](#) (STEP, Version F2)

Additional Information:

- [Product Line Information](#)

Related Products:

- [Tooling](#)

[List all Documents](#)

Product Features (Please use the Product Drawing for all design activity)

Product Type Features:

- Product Type = Connector
- Product Line = Universal MATE-N-LOK
- Connector Type = Housing
- Mount = Free Hanging or Panel
- Color = Natural

Mechanical Attachment:

- Mating Retention Type = Positive Lock

Electrical Characteristics:

- High Current = No
- Current Rating (A) = 19
- Voltage (VAC) = 600

Body Related Features:

- Centerline (mm [in]) = 6.35 [0.250]
- Number of Positions = 4
- Mating Retention = With
- Contact Diameter (mm [in]) = 2.13 [0.084]

Contact Related Features:

- Contact Type = Pin or Socket
- Contact Layout = In-Line
- Sealable = No

Housing Related Features:

- Connector Style = Plug
- Housing Material = Polyamide - GF
- UL Flammability Rating = UL 94V-0

Industry Standards:

- [RoHS/ELV Compliance](#) = RoHS compliant, ELV compliant
- [Lead Free Solder Processes](#) = Not relevant for lead free process
- RoHS/ELV Compliance History = Always was RoHS compliant

Packaging Related Features:

- Packaging Method = One Piece Housing

Other:

- Brand = AMP

BOOKMARK

Corporate Information

- [Who We Are](#)
- [Investors](#)
- [News Room](#)
- [Supplier Portal](#)
- [Careers](#)

Quick Links

- [Check Distributor Inventory](#)
- [Cross Reference](#)
- [Find Documents & Drawings](#)
- [Product Compliance Support Center](#)
- [Site Map](#)

Customer Support

- [Email or Chat with Us](#)
- [Find a Phone Number](#)
- [Search Knowledge Base](#)
- [Manage Your Account](#)

Sign up for our eNewsletter

Enter your email address

Follow Us On:



Visit Us On:

