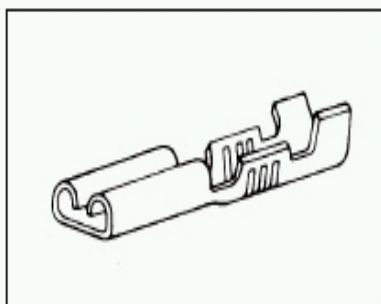


5-160490-2 Product Details

Have a Question?

Chat with a Product Information Specialist



5-160490-2

TE Internal Number: 5-160490-2

Active

[View 3D PDF](#)

FASTON Uninsulated Receptacles & Housings

[Always EU RoHS/ELV Compliant \(Statement of Compliance\)](#)

Product Highlights:

- Product Classification = Connectors - Terminals and Splices
- Terminal
- Terminal Type = Receptacle
- Mating Area Interface Dimensions = 4.75 x 0.81 mm
- Board Mount = No

[View all Features](#)

Quick Links

- ▶ [Check Pricing & Availability](#)
- ▶ [Search for Tooling](#)
- ▶ [Product Feature Selector](#)
- ▶ [Contact Us About This Product](#)

[Add to My Part List](#)
[Request Sample](#)
[Find Similar Products](#)
[Buy Product](#)

Documentation & Additional Information

Product Drawings:

- [FASTON connector .187 sr. rec. etc.](#) (PDF, English)

Catalog Pages/Data Sheets:

- None Available

Product Specifications:

- None Available

Application Specifications:

- None Available

Instruction Sheets:

- None Available

CAD Files: [\(CAD Format & Compression Information\)](#)

- [2D Drawing](#) (DXF, Version G)
- [3D Model](#) (IGES, Version G)
- [3D Model](#) (STEP, Version G)

Additional Information:

- [Product Line Information](#)

Related Products:

- [Tooling](#)

[List all Documents](#)

Product Features (Please use the Product Drawing for all design activity)

Product Type Features:

- Product Classification = Connectors - Terminals and Splices
- Product Type = Terminal
- [Terminal Type](#) = Receptacle
- [Mating Area Interface Dimensions \(mm \[in\]\)](#) = 4.75 x 0.81 [.187 x .032]
- [Receptacle Style](#) = Straight
- [Insulation Support](#) = Insulation Support
- [Wire/Cable Type](#) = Stranded
- [Insulation Diameter \(mm \[in\]\)](#) = 2.36-3.30 [.093-.130]
- [Insertion Force](#) = Normal
- [Material](#) = Brass
- [Finish](#) = Tin
- [Crimp Type](#) = F-Crimp
- Comment = High mating force

Mechanical Attachment:

- [Board Mount](#) = No

Body Related Features:

- [Weld Tab](#) = Without
- [Wire Range \(mm \[AWG\]\)](#) = 0.50-1.50² [20-15]

Industry Standards:

- [RoHS/ELV Compliance](#) = RoHS compliant, ELV compliant
- [Lead Free Solder Processes](#) = Not relevant for lead free process
- RoHS/ELV Compliance History = Always was RoHS compliant
- UL Rating = Listed
- CSA Certified = Yes

Packaging Related Features:

- [Packaging Method](#) = Loose Piece

Other:

- [For Hermetic Header Tab](#) = No
- [Line](#) = Commercial
- Brand = AMP

BOOKMARK

Corporate Information

- [Who We Are](#)
- [Investors](#)
- [News Room](#)
- [Supplier Portal](#)
- [Careers](#)

Quick Links

- [Check Distributor Inventory](#)
- [Cross Reference](#)
- [Find Documents & Drawings](#)
- [Product Compliance Support Center](#)
- [Site Map](#)

Customer Support

- [Email or Chat with Us](#)
- [Find a Phone Number](#)
- [Search Knowledge Base](#)
- [Manage Your Account](#)

Sign up for our eNewsletter

Enter your email address

Follow Us On:



Visit Us On:

