

Introduction



AMP MCP offers High Reliability for Long Term Use



The AMP MCP (Multiple Contact Point) Connector System is designed for electronic and electrical applications in motor vehicles.

It fulfills all requirements for a connector system for use in automobiles and covers a wide range of applications.

AMP MCP Contacts

- Basic material (CuNiSi) with high current capacity
- 3 redundant contact points (1.5 mm type), 4 contact points (2.8 mm/6.3 mm type), 6 contact points (9.5 mm type)
- Good guiding inside the cavity
- Protected contact spring due to the closed box
- Overstress protection of the contact springs
- Steel box with secondary locking possibility from four sides
- Protected locking lance

AMP MCP Connectors

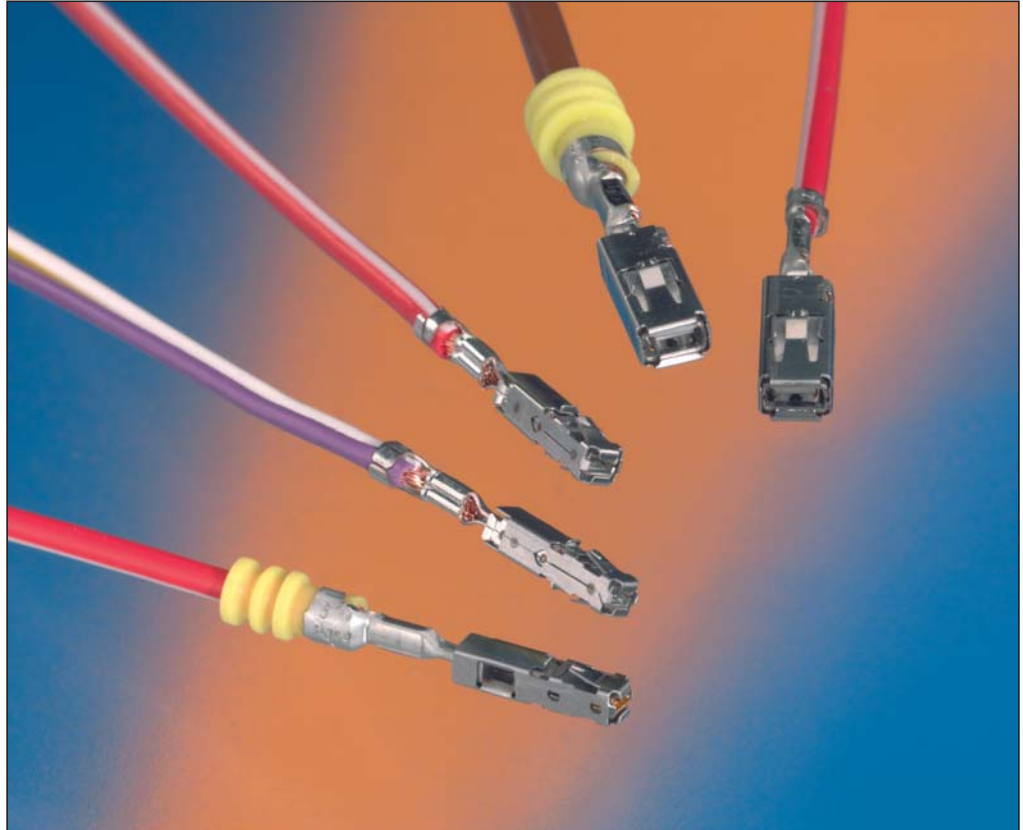
- High reliability status supported for long term use
- High vibration level supported
- Perfect design to avoid quality problems, reduce manufacturing and service cost
- Integrated secondary locking device delivered in pre-locked position
- Wire-to-wire sealed and unsealed connectors (SWS)
- Wire-to-board sealed and unsealed connectors (SWS)
- Polarisation, several keyings
- Locking mechanism for smaller connectors/mating aid for higher numbers of ways

SUPERSEDED
NOT the LATEST REVISION

Engineering Notes



Introduction



The AMP MCP Contact System is mainly used in the automotive industry. Each contact consists of a flat receptacle, which mates with a flat tab. Every contact has got a steel spring and a copper alloy body.

The two-piece contact design means that the electrical and mechanical properties are separated. One end of the contact body is crimped to wire and the other end mates with the matching tab. The closed spring has got several functions and also different advantages for the complete contact system.

- Protection of the contact springs
- No over elongation of the contact springs possible under normal circumstances
- No possibility to connect from the rear side
- Protection against mechanical damage
- Good guiding in the cavity
- Secondary locking possible (from 4 directions)
- Assembly into housing fully-automatically

In addition there are usually two lances on the steel to spring. These serve to lock the contact securely in the housing.

The Main Advantages of the Body are:

- Several contact points
- Large range of wire sizes (from 0.2 mm² at AMP MCP 1.5K up to 16.0 mm² at AMP MCP 9.5)
- Base material with very high current capability
- High vibrational load

Tabs and receptacles can be applied in both sealed and unsealed connectors.

AMP MCP contacts can be fast and economically arranged to the lead using Tyco Electronics application tooling.

Receptacle Contacts (for 0.6 mm Tab Thickness)

Technical Features

Contact Material:

CuNiSi
Top Spring: Stainless Steel

Contact Finish:

Tin plated, selective silver plated,
selective gold plated

Wire Size Range:

0.20–0.35 mm², 0.5–1.0 mm²,
>1.0–1.5 mm² (FLR Cable)

Current Carrying Capacity:

up to 20 Ampere
(at 20 °C ambient temperature)

Temperature Range:

–40 °C ... +130 °C (tin plated)
–40 °C ... +140 °C (silver plated)
–40 °C ... +150 °C (gold plated)

Modular Dimensions

(Centerline):

0.2–1.5 mm² SRC:

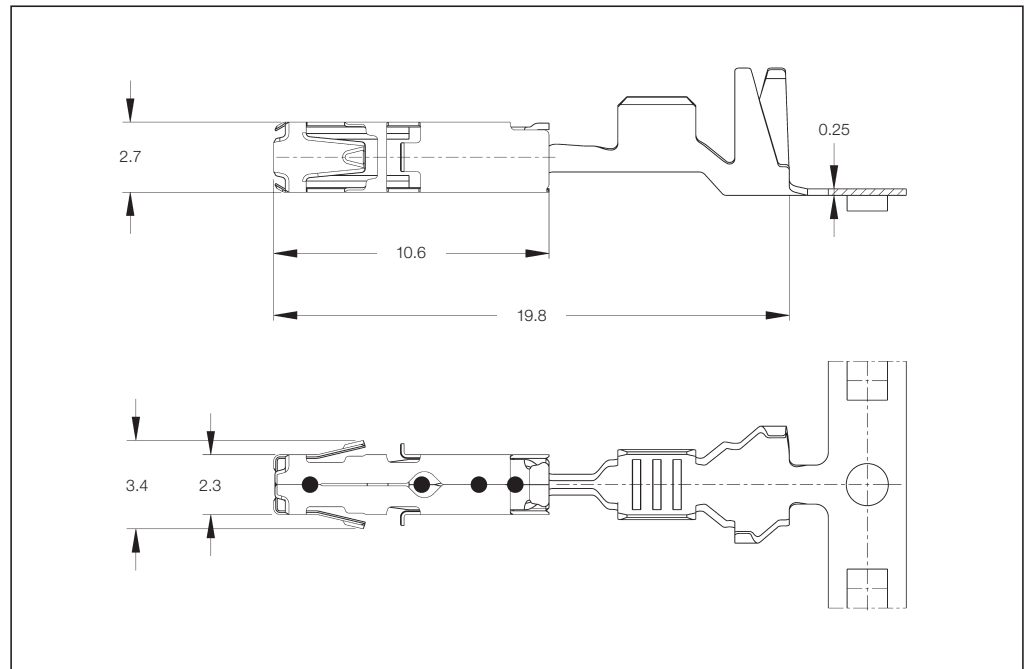
– 4.0 x 4.0 mm
– 4.0 x 3.5 mm (Staggered)

0.2–1.5 mm² SWS:

– 4.0 x 4.0 mm
– 4.0 x 3.5 mm (Staggered)

Mating Cycles:●

up to 10 cycles (tin plated)
up to 50 cycles (silver plated)
up to 100 cycles (gold plated)



Contact Resistance:

New State ≤ 2 mΩ

Mating Force: Max. 6 N

Unmating Force: Max. 6 N

Dimension of Male Contacts:

1.5^{+0.2} x 0.6^{+0.07} mm

Extraction Tool:

Part No. **1-1579007-1**

Product Group Drawing:

1241436

Product Specification:

108-18716

Application Specification:

114-18386

● Mating Cycles are depending on various technical influences and must be clarified in each individual case.

Standard Receptacle Contacts (SRC)

| Wire Size Range (mm ²) | Insulation Diameter (mm) | | Material and Finish* | Part Numbers | | | | | |
|------------------------------------|--------------------------|--------------|----------------------|--------------|------------------|-------------|------------------|-------------|-----------|
| | FLK | FLR | | Strip Form | Package Quantity | Loose-Piece | Package Quantity | Applicator♦ | Hand Tool |
| 0.20–0.35 | – | 1.1–1.4 | -1 / -2 | 1241372 | 10,000 | 1241373 | 500 | x-1528194-x | |
| 0.5–1.0 | – | 1.4–2.1 | -1 / -2 | 1241374 | 8,000 | 1241375 | 500 | x-1528195-x | 2063524-1 |
| | | max. 2 x 1.6 | -1 / -2 | 1241376** | 6,000 | 1241377** | 500 | x-1528388-x | |
| >1.0–1.5 | – | 2.2–2.4 | -1 | 1534334 | 7,500 | 1534335 | 500 | x-1528312-x | – |

Receptacle Contacts Single Wire Sealing System (SWS)

| Wire Size Range (mm ²) | Insulation Diameter (mm) | | Material and Finish* | Part Numbers | | | | | |
|------------------------------------|--------------------------|---------|------------------------|--------------|------------------|-------------|------------------|-------------|-----------|
| | FLK | FLR | | Strip Form | Package Quantity | Loose-Piece | Package Quantity | Applicator♦ | Hand Tool |
| 0.20–0.35 | – | 1.1–1.4 | -1 / -2 / -3 | 1241378 | 4,500 | 1241379 | 500 | x-1528122-x | |
| 0.5–1.0 | – | 1.4–2.1 | -1 / -2 / -3 / 1-xxx-2 | 1241380 | 4,500 | 1241381 | 500 | x-1528324-x | 2063524-1 |
| >1.0–1.5 | – | 2.2–2.4 | -1 / -3 | 1418884 | 4,500 | 1418885 | 500 | x-1530008-x | – |

***) Material and Finish:**

xxx-1 = CuNiSi, pre-tin plated
xxx-2 = CuNiSi, selective gold plated
xxx-3 = CuNiSi, selective silver plated
1-xxx-2 = CuNiSi, min. 1.27 µm selective gold plated

Notes:

***) Double Crimp

♦) The pre- and suffix for the applicators depends on the applied termination equipment.

Receptacle Contacts (for 0.8 mm Tab Thickness)

Technical Features

Contact Material:

CuNiSi
Top Spring: Stainless Steel

Contact Finish:

Tin plated, selective silver plated,
selective gold plated

Wire Size Range:

0.20–0.35 mm², 0.5–1.0 mm²,
>1.0–1.5 mm² (FLR Cable)

Current Carrying Capacity:

up to 20 Ampere
(at 20 °C ambient temperature)

Temperature Range:

–40 °C ... +130 °C (tin plated)
–40 °C ... +140 °C (silver plated)
–40 °C ... +150 °C (gold plated)

Modular Dimensions

(Centerline):

0.2–1.5 mm² SRC:

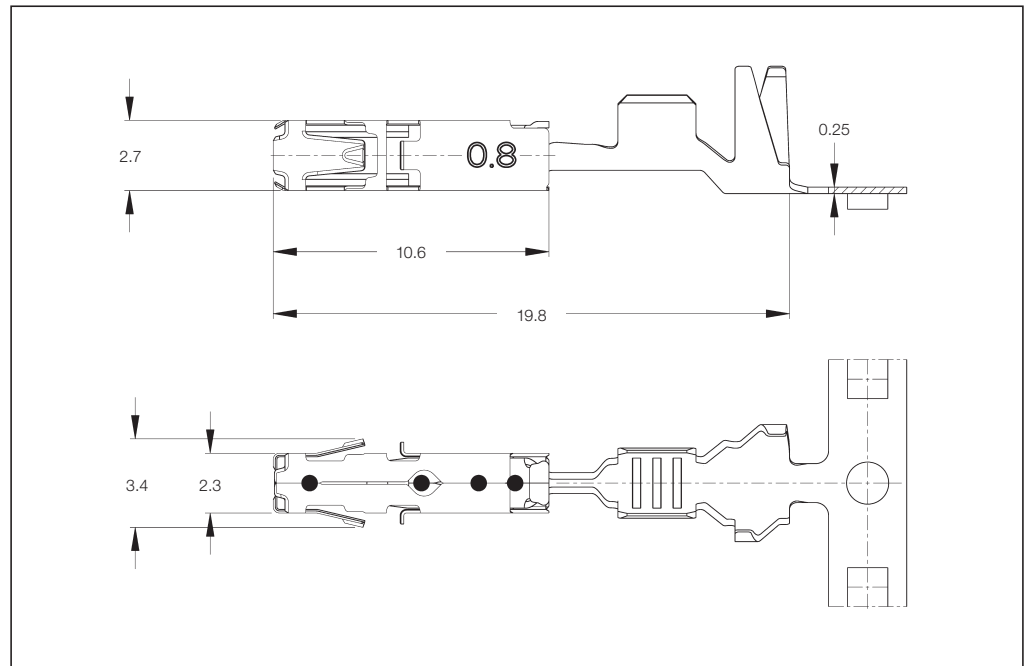
– 4.0 x 4.0 mm
– 4.0 x 3.5 mm (Staggered)

0.2–1.5 mm² SWS:

– 4.0 x 4.0 mm
– 4.0 x 3.5 mm (Staggered)

Mating Cycles:●

up to 10 cycles (tin plated)
up to 50 cycles (silver plated)
up to 100 cycles (gold plated)



Contact Resistance:

New State ≤ 2 mΩ

Mating Force: Max. 6 N

Unmating Force: Max. 6 N

Dimension of Male Contacts:

1.5^{+0.2}_{-0.1} x 0.8^{±0.03} mm

Extraction Tool:

Part No. **1-1579007-1**

Product Group Drawing:

1241436

Product Specification:

108-18716

Application Specification:

114-18386

● Mating Cycles are depending on various technical influences and must be clarified in each individual case.

Standard Receptacle Contacts (SRC)

| Wire Size Range (mm ²) | Insulation Diameter (mm) | | Material and Finish* | Part Numbers | | | | | |
|------------------------------------|--------------------------|---------|----------------------|--------------|------------------|-------------|------------------|--------------|-----------|
| | FLK | FLR | | Strip Form | Package Quantity | Loose-Piece | Package Quantity | Applicator ♦ | Hand Tool |
| 0.5–1.0 | – | 1.4–2.1 | -1 | 1418408 | 8,000 | 1418409 | 500 | x-1528195-x | 2063524-1 |
| >1.0–1.5 | – | 2.2–2.4 | -1 | 1418410 | 7,500 | 1418411 | 500 | x-1528312-x | – |

Receptacle Contacts Single Wire Sealing System (SWS)

| Wire Size Range (mm ²) | Insulation Diameter (mm) | | Material and Finish* | Part Numbers | | | | | |
|------------------------------------|--------------------------|-----------|----------------------|--------------|------------------|-------------|------------------|--------------|-----------|
| | FLK | FLR | | Strip Form | Package Quantity | Loose-Piece | Package Quantity | Applicator ♦ | Hand Tool |
| 0.20–0.35 | – | 1.15–1.40 | -1 | 1534160 | 4,500 | 1534161 | 500 | x-1528122-x | 2063524-1 |
| 0.5–1.0 | – | 1.4–2.1 | -1 | 1534162 | 4,500 | 1534163 | 500 | x-1528324-x | |
| >1.0–1.5 | – | 2.2–2.4 | -1 | 1718558 | 4,500 | 1718559 | 500 | x-1530008-x | – |

***) Material and Finish:**

xxx-1 = CuNiSi, pre-tin plated
xxx-2 = CuNiSi, selective gold plated
xxx-3 = CuNiSi, selective silver plated
1-xxx-2 = CuNiSi, min. 1.27 μm selective gold plated

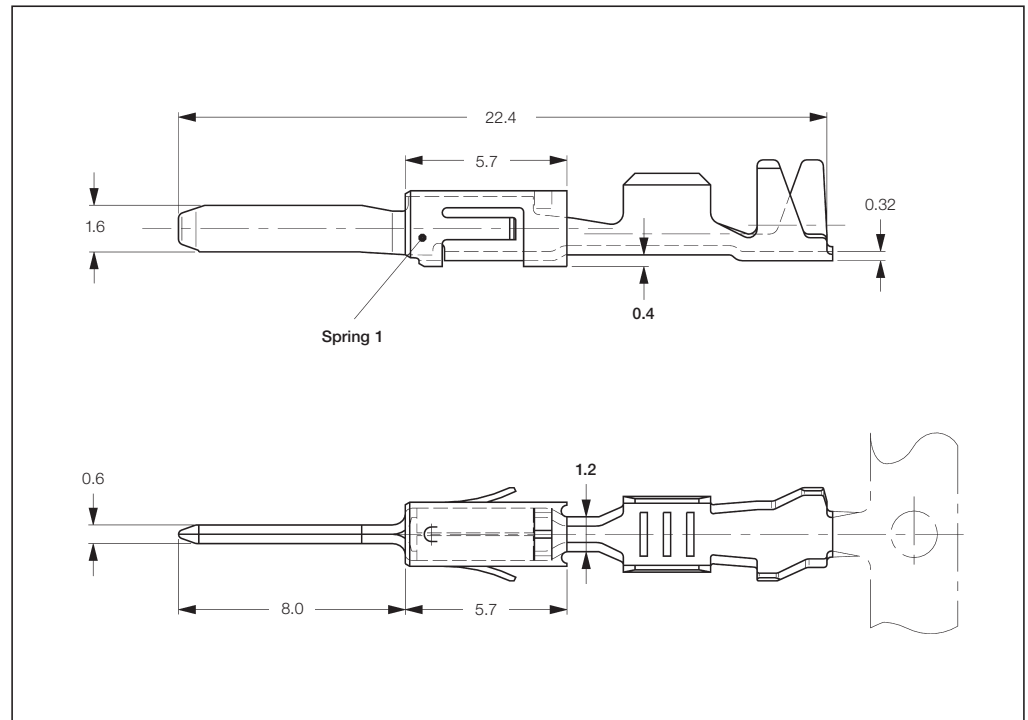
♦) The pre- and suffix for the applicators depends on the applied termination equipment.

Tab Contacts

**Tabs 1.6 x 0.6 mm
with Steel Top Spring,
Mates with
AMP MCP 1.5K
Contact System**

Product Specification:
108-18331

Application Specification:
114-18082



Standard Tab Contacts (STC)

| Wire Size Range (mm ²) | Insulation Diameter (mm) | | Material and Finish* | Part Numbers | | | | | |
|------------------------------------|--------------------------|-----------|----------------------|--------------|------------------|-------------|------------------|-------------|-----------|
| | FLK | FLR | | Strip Form | Package Quantity | Loose-Piece | Package Quantity | Applicator* | Hand Tool |
| 0.2-0.5 | - | 1.15-1.60 | -1 / -2 / -3 | 963898 1) | 7,000 | 963899 1) | 500 | x-1528061-x | 2063265-1 |
| 0.5-1.0 | - | 1.4-2.1 | -1 / -2 / -3 | 963900 1) | 6,000 | 963901 1) | 500 | x-1528256-x | |

Tab Contacts Single Wire Sealing System (SWS)

| Wire Size Range (mm ²) | Insulation Diameter (mm) | | Material and Finish* | Part Numbers | | | | | |
|------------------------------------|--------------------------|-----------|----------------------|--------------|------------------|-------------|------------------|-------------|-----------|
| | FLK | FLR | | Strip Form | Package Quantity | Loose-Piece | Package Quantity | Applicator* | Hand Tool |
| 0.2-0.5 | - | 1.15-1.60 | -1 / -2 / -3 | 963902 1) | 4,000 | 963903 1) | 500 | x-1528281-x | 2063265-1 |
| 0.5-1.0 | - | 1.4-2.1 | -1 / -2 / -3 | 963904 1) | 4,000 | 963905 1) | 500 | x-1528054-x | |

***) Material and Finish:**
xxx-1 = CuSn4, pre-tin plated
xxx-2 = CuFe2, pre-tin plated
xxx-3 = CuSn4, gold plated

Remarks:
1) = With Spring 1

*) The pre- and suffix for the applicators depends on the applied termination equipment.

Tab Contacts

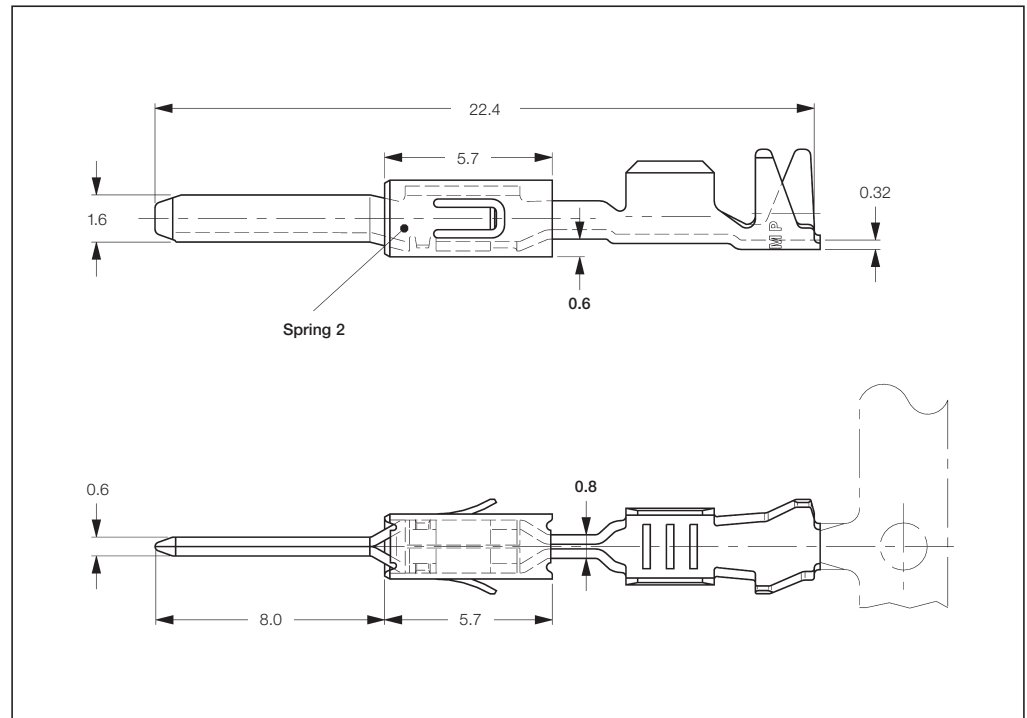
Tabs 1.6 x 0.6 mm with Modified Steel Top Spring, Mates with AMP MCP 1.5K Contact System

Extraction Tool:
Part No. **539960-1**

Product Group Drawing:
1355055

Product Specification:
108-18331

Application Specification:
114-18082



Standard Tab Contacts with Modified Spring (STC)

| Wire Size Range (mm ²) | Insulation Diameter (mm) | | Material and Finish* | Part Numbers | | | | | |
|------------------------------------|--------------------------|-----------|----------------------|-------------------------|------------------|-------------------------|------------------|-------------------------|-----------|
| | FLK | FLR | | Strip Form | Package Quantity | Loose-Piece | Package Quantity | Applicator [◆] | Hand Tool |
| | | | | | | | | | |
| 0.2–0.5 | – | 1.15–1.60 | -2 / -3 | 964265 ²⁾ | 7,500 | 964266 ²⁾ | 500 | x-1528091-x | |
| 0.5–1.0 | – | 1.4–2.1 | -2 / -3 | 969079 ^{2) 3)} | 5,500 | 969080 ^{2) 3)} | 500 | x-1528096-x | 2063409-1 |
| 0.5–1.0 | – | 1.4–2.1 | -1 / -2 / -3 | 964267 ²⁾ | 6,000 | 964268 ²⁾ | 500 | x-1528092-x | |
| 1.5 | – | 2.2–2.4 | -1 / -2 / -3 | 1241846 ²⁾ | 4,000 | 1241847 ²⁾ | 500 | x-1528123-x | – |

Tab Contacts Single Wire Sealing System with Modified Spring (SWS)

| Wire Size Range (mm ²) | Insulation Diameter (mm) | | Material and Finish* | Part Numbers | | | | | |
|------------------------------------|--------------------------|---------|----------------------|----------------------|------------------|----------------------|------------------|-------------------------|-----------|
| | FLK | FLR | | Strip Form | Package Quantity | Loose-Piece | Package Quantity | Applicator [◆] | Hand Tool |
| | | | | | | | | | |
| 0.2–0.5 | – | 1.2–1.6 | -2 / -3 | 969028 ²⁾ | 4,000 | 969029 ²⁾ | 500 | x-1528068-x | |
| 0.5–1.0 | – | 1.4–2.1 | -2 / -3 | 964269 ²⁾ | 4,000 | 964270 ²⁾ | 500 | x-1528261-x | 539663-2 |

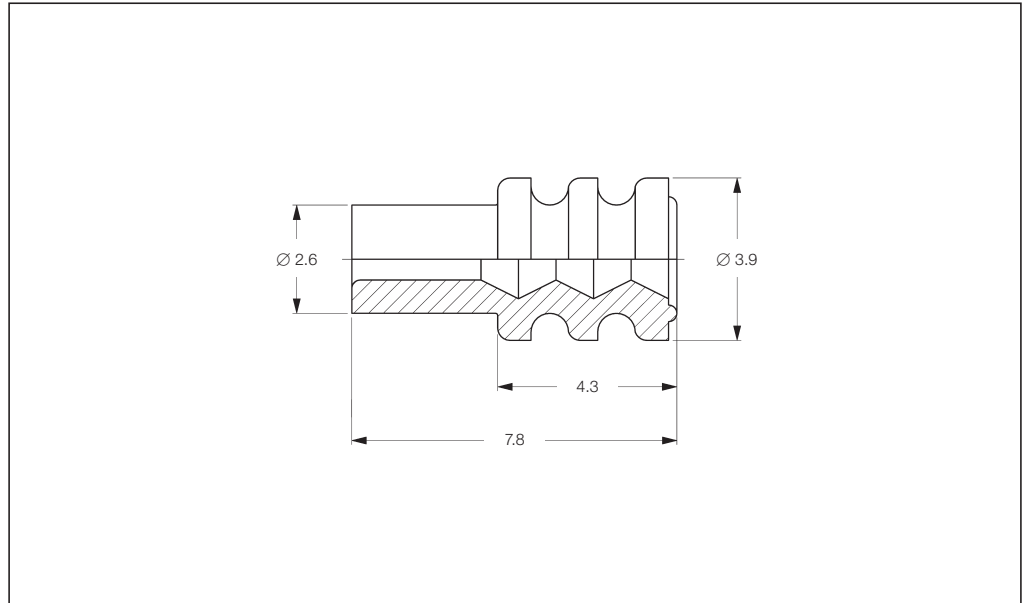
***) Material and Finish:**
xxx-1 = CuSn4, pre-tin plated
xxx-2 = CuFe2, pre-tin plated
xxx-3 = CuSn4, gold plated

Remarks:
2) = With Spring 1 (shown on Page 3-4) or Spring 2
3) = For Double and Single Termination

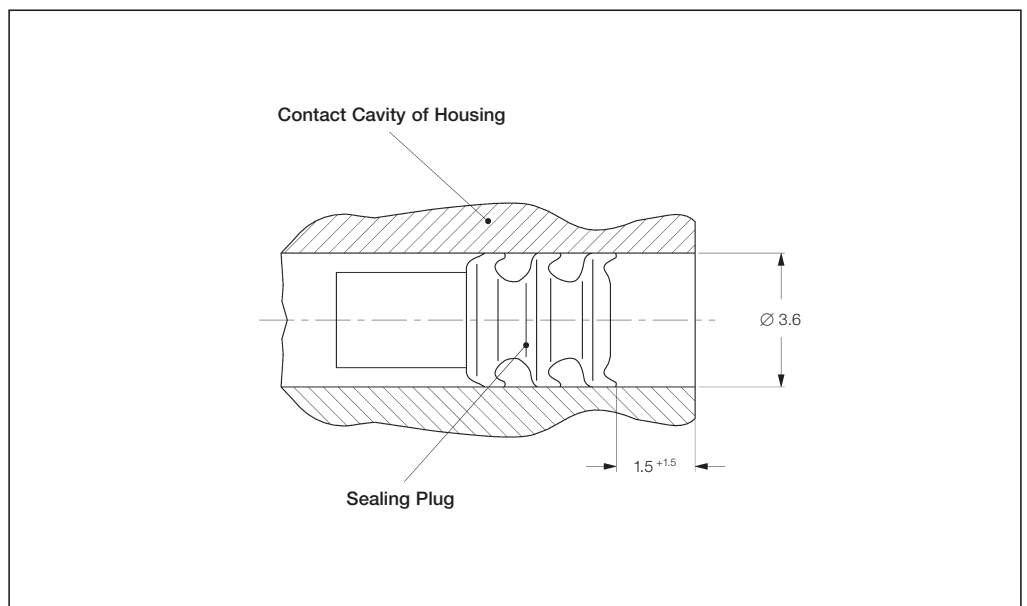
◆) The pre- and suffix for the applicators depends on the applied termination equipment.

Single Wire Seals and Sealing Plugs

Single Wire Seals and Sealing Plugs for AMP MCP 1.5K Contact System (Cavity Diameter 3.6 mm)



| Insulation Diameter (mm) | Color | Part Number | Package Quantity |
|--------------------------|---------|-------------|------------------|
| 0.9–1.2 | Green | 1718705-1 | 10,000 |
| 1.2–1.6 | Red | 964971-1 | 10,000 |
| | Blue | 1394133-1 | 10,000 |
| 1.4–1.9 | Gray | 963530-1 | 10,000 |
| 1.9–2.4 | Yellow | 964972-1 | 10,000 |
| Sealing Plug | White | 963531-1 | 10,000 |
| | Natural | 1394132-1 | 10,000 |



Receptacle Contacts

Technical Features

Material:

Contact: CuNiSi
Tabs: CuSn4, CuFe2
Top Spring: Stainless Steel

Contact Finish:

Tin plated, selective silver plated,
selective gold plated

Wire Size Range:

0.2–0.5 mm², 0.5–1.0 mm²,
1.0–2.5 mm², 2.5–4.0 mm²
Single Wires (FLR)

Current Carrying Capacity:

up to 40 Ampere
(at 20 °C ambient temperature)

Mating Force*:

Max. 6 N

Unmating Force*:

Max. 5 N

Modular Dimensions (Centerline)

0.35–2.5 mm² SRC:

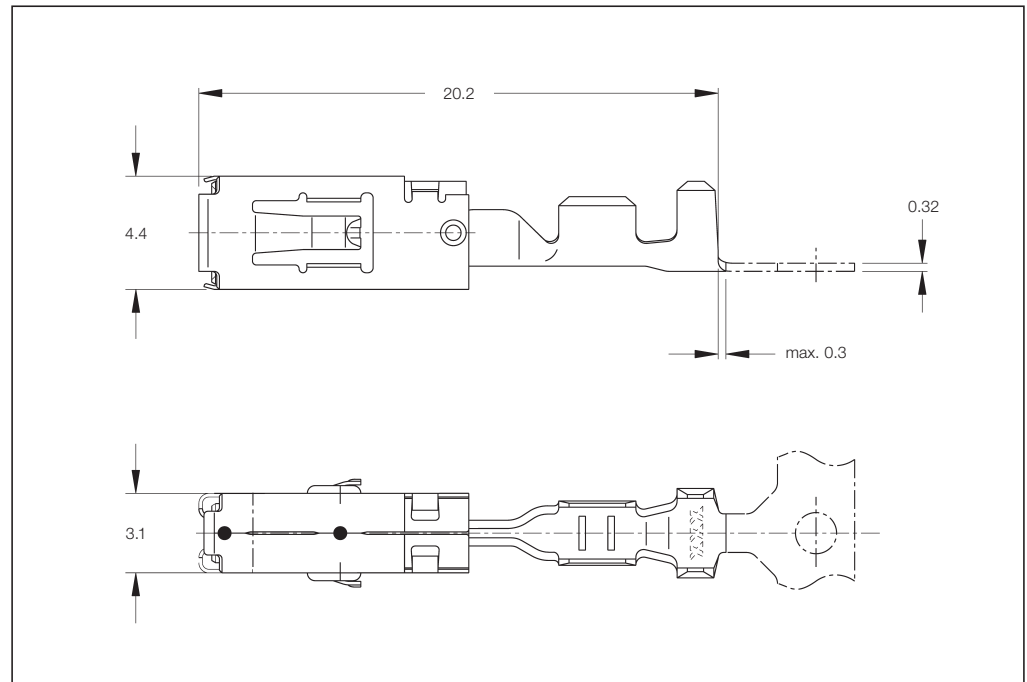
– 5.0 x 5.5 mm
– 5.0 x 5.0 mm (Staggered)

2.5–4.0 mm² SRC:

– 5.5 x 5.5 mm
– 5.0 x 5.5 mm (Staggered)

2.5–4.0 mm² SWS:

– 7.2 x 7.2 mm
– 6.0 x 7.2 mm (Staggered)



Mating Cycles:●

up to 20 cycles (tin plated)
up to 50 cycles (silver plated)
up to 100 cycles (gold plated)

Dimension of Male Contacts:

2.8^{±0.1} x 0.8^{±0.03} mm
3.0^{±0.1} x 0.8^{±0.03} mm

Temperature Range:

–40 °C ... +130 °C (tin plated)
–40 °C ... +140 °C (silver plated)
–40 °C ... +150 °C (gold plated)

Contact Resistance:

New State ≤ 2 mΩ

Extraction Tool:

Part No. **1579007-1**

Product Specification:

108-18513

Application Specification:

114-18148

Product Group Drawing:

1355036

*) Steel Tab, see Specifications

●) Mating Cycles are depending on various technical influences and must be clarified in each individual case.

Standard Receptacle Contacts (SRC)

| Wire Size Range (mm ²) | Insulation Diameter (mm) | | Material and Finish* | Part Numbers | | | | | |
|------------------------------------|--------------------------|---------|-----------------------------|--------------|------------------|-------------|------------------|-------------|--------------------|
| | FLK | FLR | | Strip Form | Package Quantity | Loose-Piece | Package Quantity | Applicator* | Hand Tool Complete |
| 0.2–0.5 | – | 1.2–1.4 | 1-xxx-1 / 1-xxx-3 | 968880 | 4,500 | 968895 | 500 | x-1528381-x | 2119158-1 |
| 0.5–1.0 | – | 1.4–2.1 | 1-xxx-1 / 1-xxx-2 / 1-xxx-3 | 968849 | 4,500 | 968872 | 500 | x-1528115-x | 2063534-1 |
| 1.0–2.5 | – | 2.2–3.0 | 1-xxx-1 / 1-xxx-2 / 1-xxx-3 | 968851 | 3,500 | 968873 | 500 | x-1528033-x | 2063532-1 |
| 2.5–4.0 | – | 3.0–3.7 | 1-xxx-1 / 1-xxx-3 | 968853 | 2,700 | 968874 | 500 | x-1528430-x | |

Receptacle Contacts Single Wire Sealing System (SWS)

| Wire Size Range (mm ²) | Insulation Diameter (mm) | | Material and Finish* | Part Numbers | | | | | |
|------------------------------------|--------------------------|---------|-----------------------------|--------------|------------------|-------------|------------------|-------------|--------------------|
| | FLK | FLR | | Strip Form | Package Quantity | Loose-Piece | Package Quantity | Applicator* | Hand Tool Complete |
| 0.35 | – | 1.2–1.4 | 1-xxx-1 / 1-xxx-3 | 968882 | 4,500 | 968896 | 500 | x-1426162-x | 2063623-1 |
| 0.5–1.0 | – | 1.4–2.1 | 1-xxx-1 / 1-xxx-2 / 1-xxx-3 | 968855 | 3,500 | 968875 | 500 | x-1528017-x | 2063624-1 |
| 1.0–2.5 | – | 2.2–3.0 | 1-xxx-1 / 1-xxx-3 | 968857 | 4,000 | 968876 | 500 | x-1528066-x | 2063523-1 |
| 2.5–4.0 | – | 3.0–3.7 | 1-xxx-1 / 1-xxx-3 | 968859 | 2,500 | 968877 | 500 | x-1528067-x | |

*) **Material and Finish:**
1-xxx-1 = CuNiSi, pre-tin plated
1-xxx-2 = CuNiSi, selective gold plated
1-xxx-3 = CuNiSi, selective silver plated

*) The pre- and suffix for the applicators depends on the applied termination equipment.

Lanceless Receptacle Contacts

Technical Features

Material:

Contact: CuNiSi
Tab: CuSn4, CuFe2
Top Spring: Stainless Steel

Contact Finish:

Tin plated

Wire Size Range:

0.2–0.5 mm², >0.5–1.0 mm²,
>1.0–2.5 mm², >2.5–4.0 mm²
Single Wires (FLR)

Current Carrying Capacity:

up to 40 Ampere
(at 20 °C ambient temperature)

Temperature Range:

–40 °C ... +130 °C (tin plated)
–40 °C ... +140 °C (silver plated)
–40 °C ... +150 °C (gold plated)

**Modular Dimensions
(Centerline):**

0.35–2.5 mm² SRC:
– 5.0 x 5.5 mm
– 5.0 x 5.0 mm (Staggered)

2.5–4.0 mm² SRC:
– 5.5 x 5.5 mm
– 5.0 x 5.5 mm (Staggered)

Mating Force*:

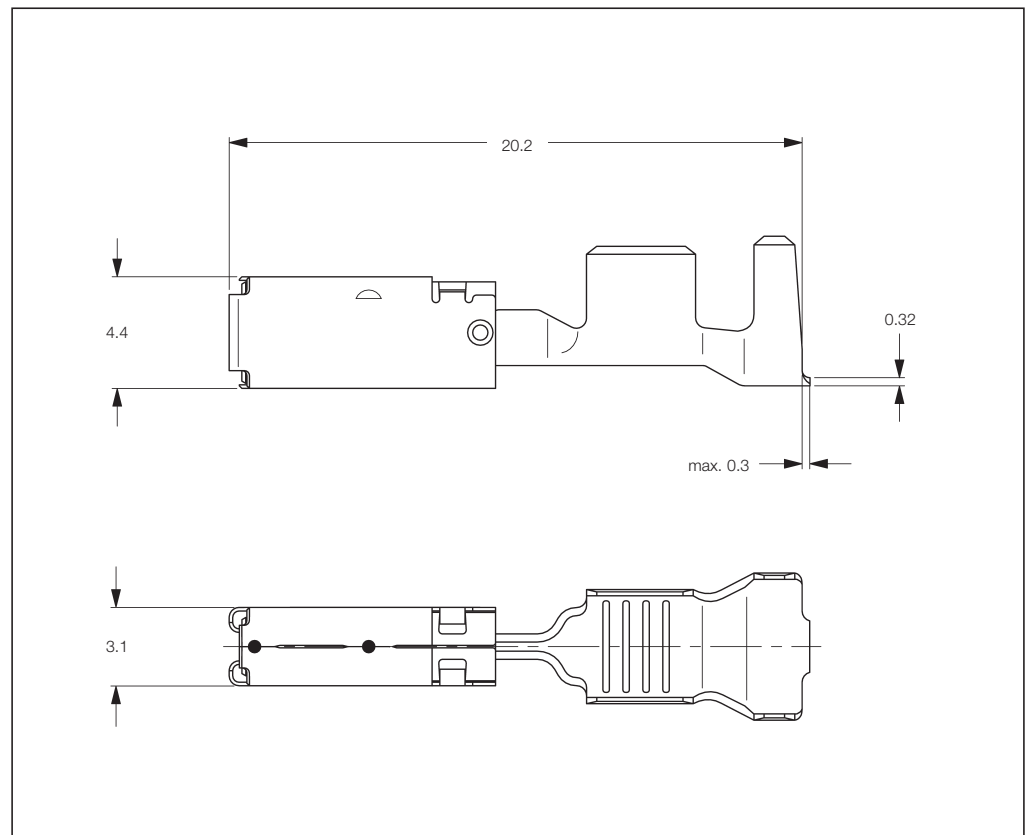
Max. 6 N

Unmating Force*:

Max. 5 N

*) Steel Tab, see Specifications

•) Mating Cycles are depending on various technical influences and must be clarified in each individual case.



Contact Resistance:

New State ≤ 2 mΩ

Mating Cycles:•

up to 20 cycles (tin plated)
up to 50 cycles (silver plated)
up to 100 cycles (gold plated)

Dimension of Male Contacts:

2.8 ±0.1 x 0.8 ±0.03 mm
3.0 ±0.1 x 0.8 ±0.03 mm

Extraction Tool:

Extraction possible without tool

Product Specification:

108-18513

Application Specification:

114-18148

Product Group Drawing:

1719458

Lanceless Receptacle Contacts

| Wire Size Range (mm ²) | Insulation Diameter (mm) | | Material and Finish* | Part Numbers | | | | | |
|------------------------------------|--------------------------|---------|----------------------|--------------|------------------|-------------|------------------|------------|-----------|
| | FLK | FLR | | Strip Form | Package Quantity | Loose-Piece | Package Quantity | Applicator | Hand Tool |
| 0.2–0.5 | – | 1.2–1.4 | 1-xxx-1 | 1355876 | 4,500 | – | – | On request | – |
| >0.5–1.0 | – | 1.4–2.1 | 1-xxx-1 | 1355833 | 4,500 | – | – | On request | – |
| >1.0–2.5 | – | 2.2–3.0 | 1-xxx-1 | 1355877 | 3,500 | – | – | On request | – |
| >2.5–4.0 | – | 3.0–3.7 | 1-xxx-1 | 1355880 | 2,700 | – | – | On request | – |

***) Material and Finish:**

1-xxx-1 = CuNiSi, pre-tin plated

Receptacle Contacts

Technical Features

Contact Material:

CuNiSi
Top Spring: Stainless Steel

Contact Finish:

Tin plated, selective silver plated,
selective gold plated

Wire Size Range:

0.20–0.35 mm², 0.5–1.0 mm²,
>1.0–2.5 mm² (FLR Cable)

Current Carrying Capacity:

up to 34 Ampere
(at 20 °C ambient temperature)

Temperature Range:

–40 °C ... +130 °C (tin plated)
–40 °C ... +140 °C (silver plated)
–40 °C ... +150 °C (gold plated)

**Modular Dimensions
(Centerline):**

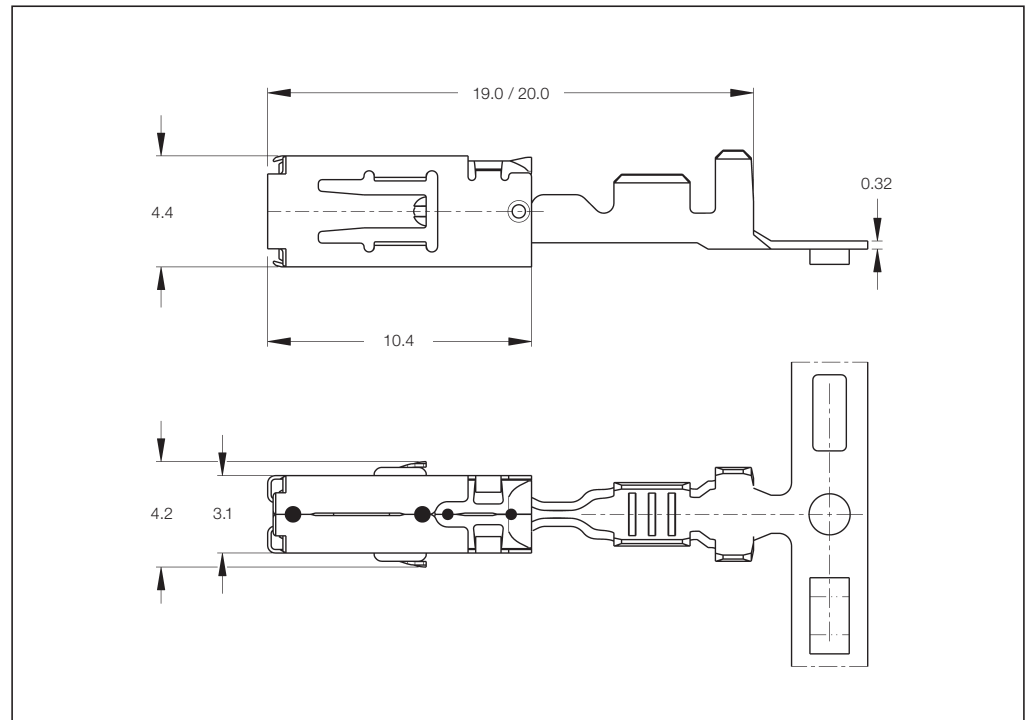
0.35–2.5 mm² SRC:
– 5.0 x 5.5 mm
– 5.0 x 5.0 mm (Staggered)

0.35–2.5 mm² SWS:
– 6.0 x 6.0 mm
– 5.0 x 5.5 mm (Staggered)

Mating Cycles:•

up to 10 cycles (tin plated)
up to 50 cycles (silver plated)
up to 100 cycles (gold plated)

•) Mating Cycles are depending on various technical influences
and must be clarified in each individual case.



Contact Resistance:

New State ≤ 2 mΩ

Mating Force: Max. 10 N

Unmating Force: Max. 7 N

Dimension of Male Contacts:

2.8 ± 0.1 x 0.8 ± 0.03 mm

2.8 ± 0.1 x 0.6 ± 0.03 mm

3.0 ± 0.1 x 0.8 ± 0.03 mm

3.0 ± 0.1 x 0.6 ± 0.03 mm

Extraction Tool:

Part No. **1579007-1**

Product Group Drawing:

1241437

Product Specification:

108-18717

Application Specification:

114-18387

Standard Receptacle Contacts (SRC)

| Wire Size Range (mm ²) | Insulation Diameter (mm) | | Material and Finish* | Part Numbers | | | | | |
|------------------------------------|--------------------------|---------|----------------------|--------------|------------------|-------------|------------------|-------------------------|-----------|
| | FLK | FLR | | Strip Form | Package Quantity | Loose-Piece | Package Quantity | Applicator [♦] | Hand Tool |
| 0.20–0.35 | – | 1.1–1.4 | -1 / -2 | 1241386 | 4,000 | 1241387 | 500 | x-1528196-x | |
| 0.5–1.0 | – | 1.4–2.1 | -1 / -2 | 1241388 | 3,500 | 1241389 | 500 | x-1528097-x | 2063531-1 |
| >1.0–2.5 | – | 2.2–3.0 | -1 / -2 | 1241390 | 3,500 | 1241391 | 500 | x-1528001-x | |

Receptacle Contacts Single Wire Sealing System (SWS)

| Wire Size Range (mm ²) | Insulation Diameter (mm) | | Material and Finish* | Part Numbers | | | | | |
|------------------------------------|--------------------------|---------|----------------------|--------------|------------------|-------------|------------------|-------------------------|-----------|
| | FLK | FLR | | Strip Form | Package Quantity | Loose-Piece | Package Quantity | Applicator [♦] | Hand Tool |
| 0.20–0.35 | 1.3–1.5 | 1.1–1.4 | -1 / -2 / -3 | 1241392 | 3,500 | 1241393 | 500 | x-1528001-x | |
| 0.5–1.0 | 2.0–2.7 | 1.4–2.1 | -1 / -2 / -3 | 1241394 | 3,500 | 1241395 | 500 | x-1528101-x | 2063526-1 |
| >1.0–2.5 | 2.2–3.0 | 2.2–3.0 | -1 / -2 / -3 | 1241396 | 3,500 | 1241397 | 500 | x-1528026-x | |

***) Material and Finish:**

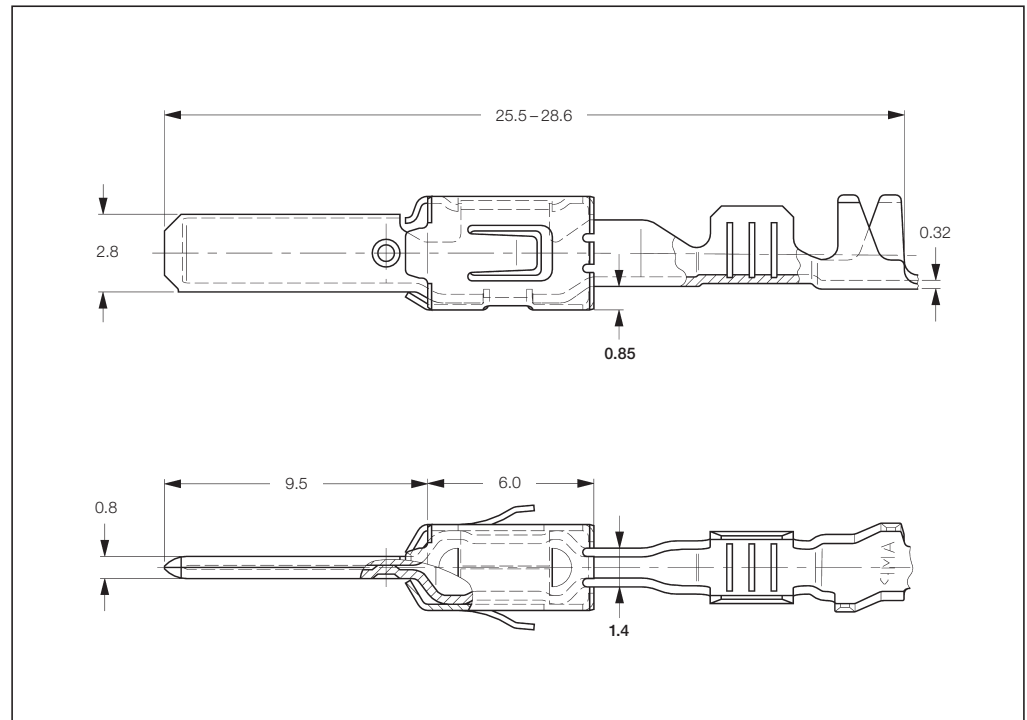
xxx-1 = CuNiSi, pre-tin plated
xxx-2 = CuNiSi, selective gold plated
xxx-3 = CuNiSi, selective silver plated

♦) The pre- and suffix for the applicators depends on the applied termination equipment.

Tab Contacts

**Tabs 2.8 x 0.8 mm
with Steel Top Spring,
Mates with AMP MCP 2.8
Contact System**

Extraction Tool:
Part No. **1-1579007-6**
Product Group Drawing:
1355052
Product Specification:
108-18063
Application Specification:
114-18051



Standard Tab Contacts

| Wire Size Range (mm ²) | Insulation Diameter | | Material and Finish * | Part Numbers | | | | | |
|------------------------------------|---------------------|-----------|---|--------------|------------------|-------------|------------------|--------------|--------------------|
| | FLK (mm) | FLR (mm) | | Strip Form | Package Quantity | Loose-Piece | Package Quantity | Applicator * | Hand Tool Complete |
| 0.2-0.5 | - | 1.15-1.60 | 1-xxx-1 / 1-xxx-2 / 1-xxx-3 / 2-xxx-1 / 2-xxx-2 / 2-xxx-3 | 963860 | 4,000 | 963861 | 500 | x-1528859-x | 734538-1 |
| 0.5-1.0 | - | 1.4-2.0 | 1-xxx-1 / 1-xxx-2 / 1-xxx-3 / 2-xxx-1 / 2-xxx-2 / 2-xxx-3 | 962841 | 4,000 | 963745 | 500 | x-1528315-x | 2063490-1 |
| 1.5-2.5 | - | 2.1-2.9 | 1-xxx-1 / 1-xxx-2 / 1-xxx-3 / 2-xxx-1 / 2-xxx-2 / 2-xxx-3 | 962842 | 3,500 | 963746 | 500 | x-1528305-x | 2063490-1 |
| 4.0 | - | 3.4-3.7 | 1-xxx-1 / 1-xxx-2 / 2-xxx-1 / 2-xxx-2 / 3-xxx-1 | 968946 | 2,700 | 968965 | 500 | x-1528430-x | - |

Tab Contacts with Single Wire Sealing System

| Wire Size Range (mm ²) | Insulation Diameter | | Material and Finish * | Part Numbers | | | | | |
|------------------------------------|---------------------|----------|---|--------------|------------------|-------------|------------------|--------------|--------------------|
| | FLK (mm) | FLR (mm) | | Strip Form | Package Quantity | Loose-Piece | Package Quantity | Applicator * | Hand Tool Complete |
| 0.2-0.5 | - | max. 2.1 | 1-xxx-1 / 1-xxx-3 | 965982 | 3,500 | 965983 | 500 | x-1528406-x | 734538-1 |
| 0.5-1.0 | - | max. 2.1 | 1-xxx-1 / 1-xxx-2 / 1-xxx-3 / 2-xxx-1 / 2-xxx-2 / 2-xxx-3 | 962915 | 3,500 | 963748 | 500 | x-1528452-x | 2063490-1 |
| 1.5-2.5 | - | max. 3.0 | 1-xxx-1 / 1-xxx-2 / 1-xxx-3 / 2-xxx-1 / 2-xxx-2 / 2-xxx-3 | 962916 | 3,500 | 963749 | 500 | x-1528316-x | 2063490-1 |
| 4.0 | - | max. 3.7 | 1-xxx-1 / 1-xxx-2 / 2-xxx-1 / 2-xxx-2 / 3-xxx-1 | 968947 | 3,500 | 968966 | 500 | x-1528067-x | - |

***) Material and Finish:**

- 1-xxx-1 = CuSn, pre-tin plated
- 1-xxx-2 = CuSn, selective silver plated
- 1-xxx-3 = CuSn, selective gold plated
- 2-xxx-1 = CuFe, pre-tin plated
- 2-xxx-2 = CuFe, selective silver plated
- 2-xxx-3 = CuFe, selective gold plated
- 3-xxx-1 = CuSn, pre-tin plated

*) The pre- and suffix for the applicators depends on the applied termination equipment.

Tab Contacts

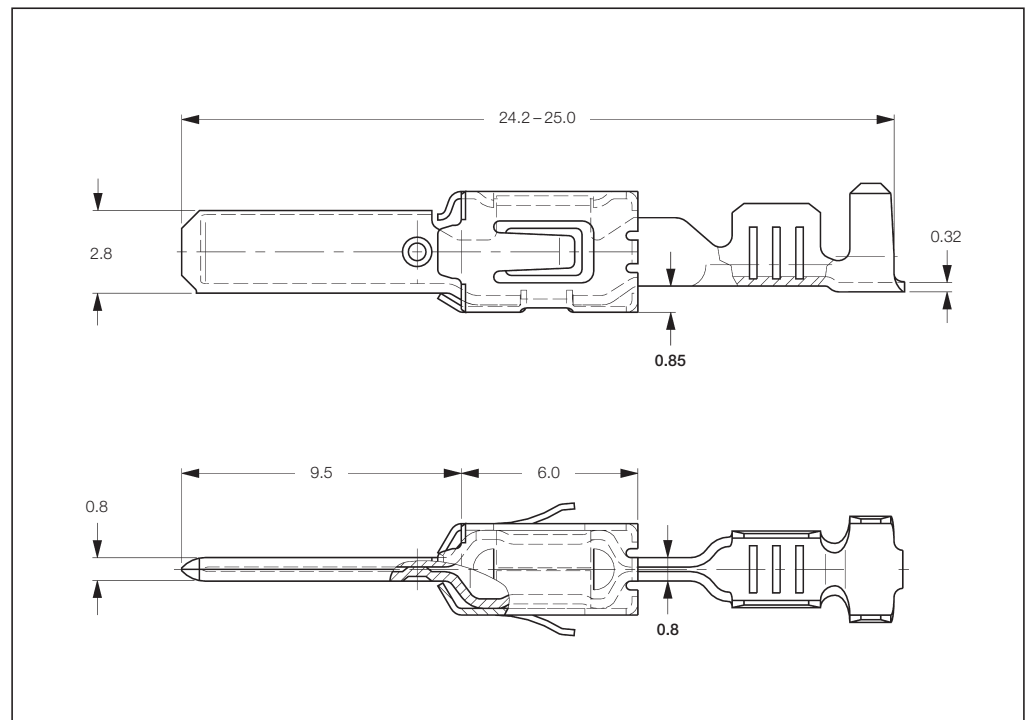
**Tabs 2.8 x 0.8 mm,
with Modified
Steel Top Spring,
Mates with AMP MCP 2.8/
2.8K Contact System**

Extraction Tool:
Part No. **1-1579007-6**

Product Group Drawing:
1355364

Product Specification:
108-18063

Application Specification:
114-18051



Standard Tab Contacts with Modified Spring (STC)

| Wire Size Range (mm ²) | Insulation Diameter (mm) | | Material and Finish * | Part Numbers | | | | | |
|------------------------------------|--------------------------|-----------|-----------------------------|--------------|------------------|-------------|------------------|--------------|-----------|
| | FLK | FLR | | Strip Form | Package Quantity | Loose-Piece | Package Quantity | Applicator ♦ | Hand Tool |
| | | | | | | | | | |
| 0.2-0.5 | - | 1.15-1.60 | 1-xxx-3 / 2-xxx-1 | 964292 | 4,000 | 964291 | 500 | x-1528004-x | |
| 0.5-1.0 | - | 1.4-2.1 | 1-xxx-3 / 2-xxx-1 / 2-xxx-2 | 964294 | 4,000 | 964293 | 500 | x-1528097-x | 2063533-1 |
| 1.25-2.50 | - | 2.2-3.0 | 1-xxx-3 / 2-xxx-1 / 2-xxx-2 | 964296 | 3,300 | 964295 | 500 | x-1528001-x | |

Tab Contacts Single Wire Sealing System with Modified Spring (SWS)

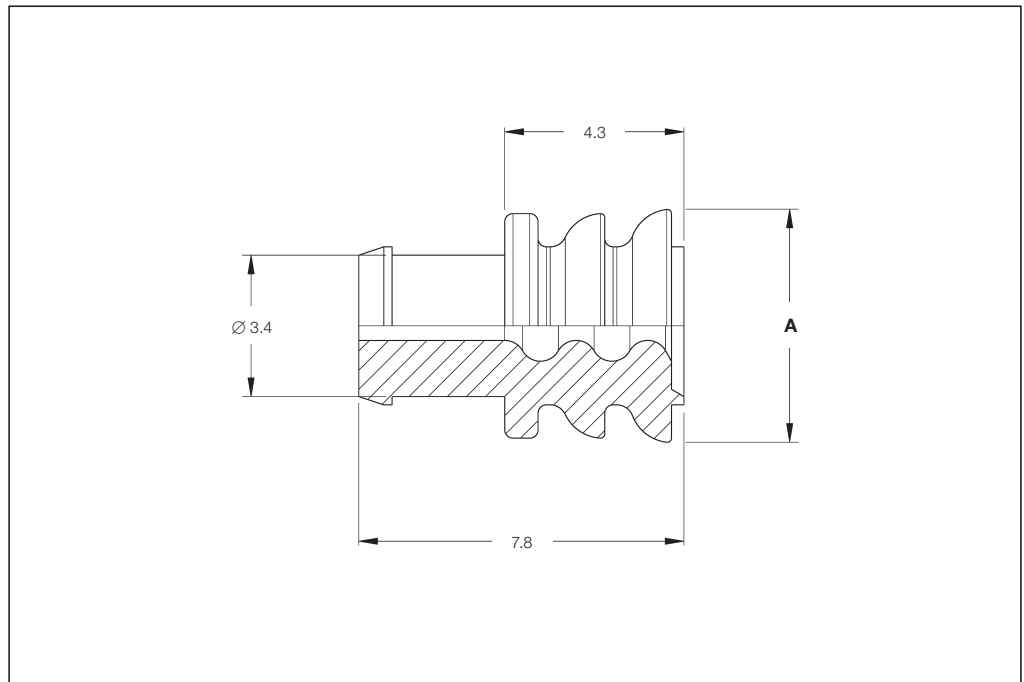
| Wire Size Range (mm ²) | Insulation Diameter (mm) | | Material and Finish * | Part Numbers | | | | | |
|------------------------------------|--------------------------|-----------|-----------------------------|--------------|------------------|-------------|------------------|--------------|-----------|
| | FLK | FLR | | Strip Form | Package Quantity | Loose-Piece | Package Quantity | Applicator ♦ | Hand Tool |
| | | | | | | | | | |
| 0.2-0.5 | - | 1.15-1.60 | 1-xxx-3 / 2-xxx-1 | 964298 | 3,500 | 964297 | 500 | x-1528025-x | |
| 0.5-1.0 | - | 1.4-2.1 | 1-xxx-3 / 2-xxx-1 / 4-xxx-1 | 964300 | 3,500 | 964299 | 500 | x-1528101-x | 2063435-1 |
| 1.25-2.50 | - | 2.2-3.0 | 1-xxx-3 / 2-xxx-1 | 964302 | 3,500 | 964301 | 500 | x-1528026-x | |

*) **Material and Finish:**
 1-xxx-3 = CuSn, selective gold plated
 2-xxx-1 = CuFe, pre-tin plated
 2-xxx-2 = CuFe, pre-silver plated
 4-xxx-1 = CuNi, plain

♦) The pre- and suffix for the applicators depends on the applied termination equipment.

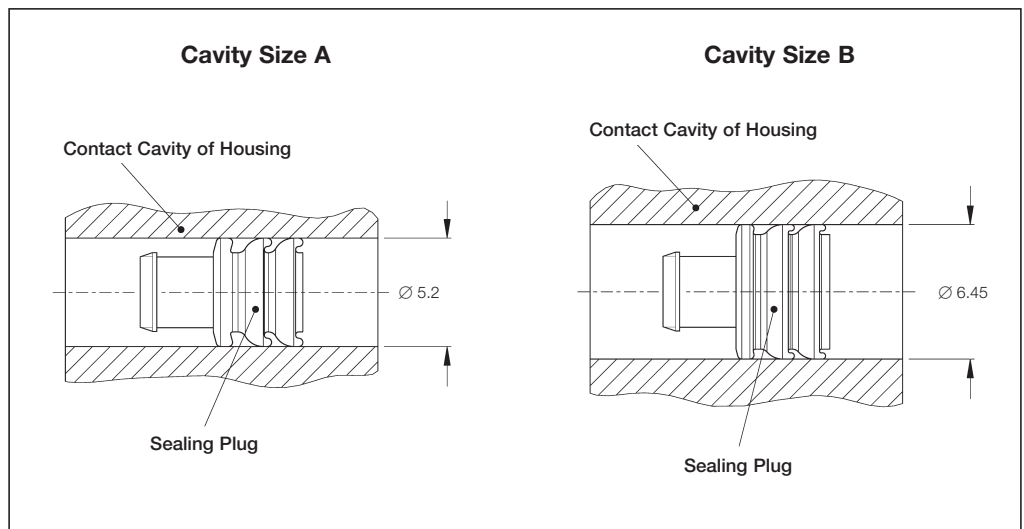
Single Wire Seals and Sealing Plugs

Single Wire Seals and Sealing Plugs for AMP MCP 2.8 Contact System (Two Cavity Diameters)



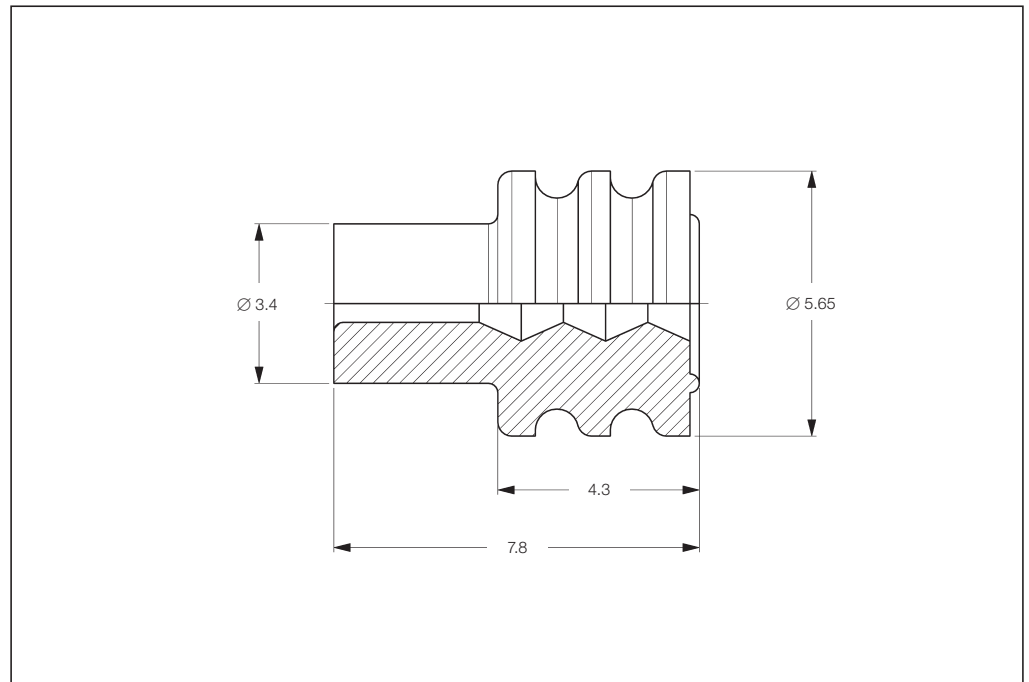
| Cavity Size | Function Relevant Insulation Diameter (mm) | (Example for Wire Size, FLR Insulation according ISO 6722 (mm ²)) | Color | Diameter A (mm) | Part Number | Package Quantity |
|-------------|--|---|---------|-----------------|-------------|------------------|
| A | 1.2–2.1 | (0.35–1.00) | Blue | 5.6 | 828904-1 | 1,000 |
| | | | | | 828904-2 | 10,000 |
| A | 2.2–3.0 | (1.5–2.5) | White | 5.6 | 828905-1 | 10,000 |
| B | 3.0–3.7 | (2.5–4.0) | Green | 7.2 | 828985-1 | 5,000 |
| A | Sealing Plug | | Natural | 5.6 | 828922-1 | 10,000 |
| B | Sealing Plug | | Brown | 7.2 | 828986-1 | 5,000 |

For correct use see Application Specification 114-18148.

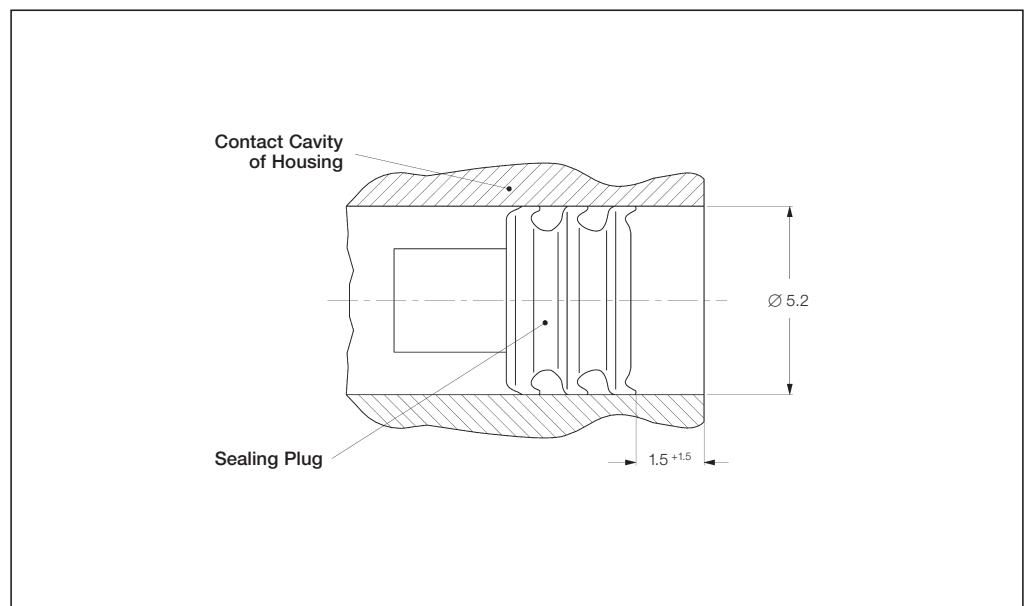


Single Wire Seals and Sealing Plugs

Single Wire Seals and Sealing Plugs for AMP MCP 2.8K Contact System (Cavity Diameter 5.2 mm)



| Wire Size Range (mm ²) | | Insulation Diameter (mm) | Color | Part Number | Package Quantity |
|------------------------------------|-----------|--------------------------|-----------|-------------|------------------|
| FLK | FLR | | | | |
| 0.35 | 0.35-1.00 | 1.2-2.1 | Blue | 963294-1 | 5,000 |
| 0.5-1.0 | 1.5 | 2.0-2.7 | Red-Brown | 963293-1 | 5,000 |
| 1.5 | 2.5 | 2.7-3.0 | Yellow | 963292-1 | 5,000 |
| - | - | Sealing Plug | Natural | 828922-1 | 10,000 |
| - | - | | Green | 828922-2 | 10,000 |



Engineering Notes



Receptacle Contacts

Technical Features

Contact Material:

CuNiSi
 Top Spring: Stainless Steel

Contact Finish:

Tin plated, selective silver plated

Wire Size Range:

0.2–0.5 mm², 0.5–1.0 mm²,
 >1.0–2.5 mm², >2.5–4.0 mm²,
 >4.0–6.0 mm²

Current Carrying Capacity:

up to 40 Ampere
 (at 20 °C ambient temperature)

Temperature Range:

–40 °C ... +130 °C (tin plated)
 –40 °C ... +140 °C (silver plated)
 –40 °C ... +140 °C (tin-silver)

Modular Dimensions (Centerline):

0.2–6.0 mm² SRC:

– 6.0 x 8.0 mm

0.2–4.0 mm² SWS:

– 9.0 x 9.0 mm

– 8.0 x 9.0 mm (Staggered)

Dimension of Male Contacts:

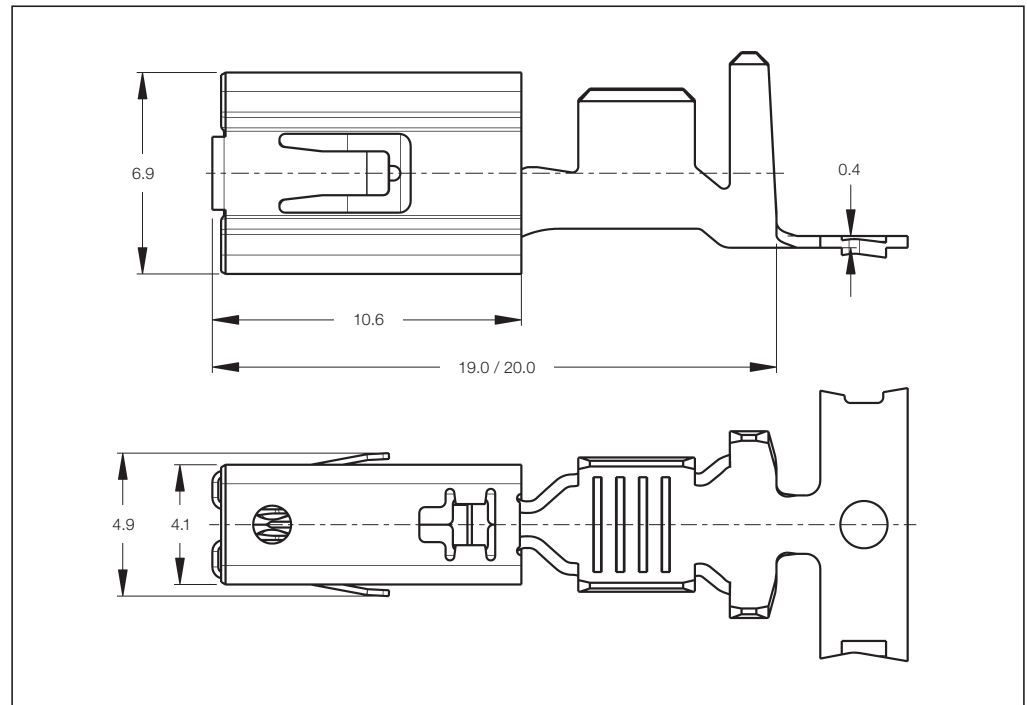
4.8 ±0.1 x 0.8 ±0.03 mm

5.8 ±0.1 x 0.8 ±0.03 mm

6.3 ±0.1 x 0.8 ±0.03 mm

Contact Resistance:

New State ≤ 2 mΩ



Mating Cycles: ●

up to 10 cycles (tin plated)
 up to 10 cycles (silver plated)

Mating Force: max. 16 N

Unmating Force: max. 11 N

Extraction Tool:

Part No. **1-1579007-3**

Product Group Drawing:

1241438

Product Specification:

108-18718

Application Specification:

114-18388

●) Mating Cycles are depending on various technical influences and must be clarified in each individual case.

Standard Receptacle Contacts (SRC)

| Wire Size Range (mm ²) | Insulation Diameter (mm) | | Material and Finish* | Part Numbers | | | | | |
|------------------------------------|--------------------------|---------|----------------------|--------------|------------------|-------------|------------------|--------------|-----------|
| | FLK | FLR | | Strip Form | Package Quantity | Loose-Piece | Package Quantity | Applicator ♦ | Hand Tool |
| 0.2–0.5 | – | 1.1–1.6 | -1 | 1241400 | 1,800 | 1241401 | 500 | x-1530002-x | |
| 0.5–1.0 | – | 1.4–2.1 | -1 / -3 | 1241402 | 1,800 | 1241403 | 500 | x-1528206-x | 2063567-1 |
| >1.0–2.5 | – | 2.2–3.0 | -1 / -3 | 1241404 | 2,000 | 1241405 | 500 | x-1528095-x | |
| >2.5–4.0 | 3.3–4.5 | – | -1 / -3 | 1241406 | 2,000 | 1241407 | 500 | x-1528298-x | |
| >4.0–6.0 | – | 3.4–4.3 | -1 | 1241408 | 1,800 | 1241409 | 500 | x-1528895-x | 2119159-1 |

Receptacle Contacts Single Wire Sealing System (SWS)

| Wire Size Range (mm ²) | Insulation Diameter (mm) | | Material and Finish* | Part Numbers | | | | | |
|------------------------------------|--------------------------|---------|----------------------|--------------|------------------|-------------|------------------|--------------|-----------|
| | FLK | FLR | | Strip Form | Package Quantity | Loose-Piece | Package Quantity | Applicator ♦ | Hand Tool |
| 0.2–0.5 | 1.3–2.3 | 1.1–1.6 | -1 | 1241410 | 1,500 | 1241411 | 500 | x-1528513-x | 2063625-1 |
| 0.5–1.0 | 2.0–2.7 | 1.4–2.1 | -1 / -3 | 1241412 | 1,500 | 1241413 | 500 | x-1528342-x | |
| >1.0–2.5 | 2.7–3.7 | 2.2–3.0 | -1 / -3 | 1241414 | 1,500 | 1241415 | 500 | x-1528231-x | 2063626-1 |
| >2.5–4.0 | 4.1–4.5 | 3.4–3.7 | -1 / -3 | 1241416 | 1,500 | 1241417 | 500 | x-1530003-x | |
| >4.0–6.0 | – | 4.0–4.5 | -4 | 1241418 | 1,500 | 1241419 | 500 | x-1528947-x | 2063627-1 |

*) **Material and Finish:**
 xxx-1 = CuNiSi, pre-tin plated
 xxx-3 = CuNiSi, selective silver plated
 xxx-4 = CuNiSi, tin-silver pre-plated

♦) The pre- and suffix for the applicators depends on the applied termination equipment.

Tab Contacts

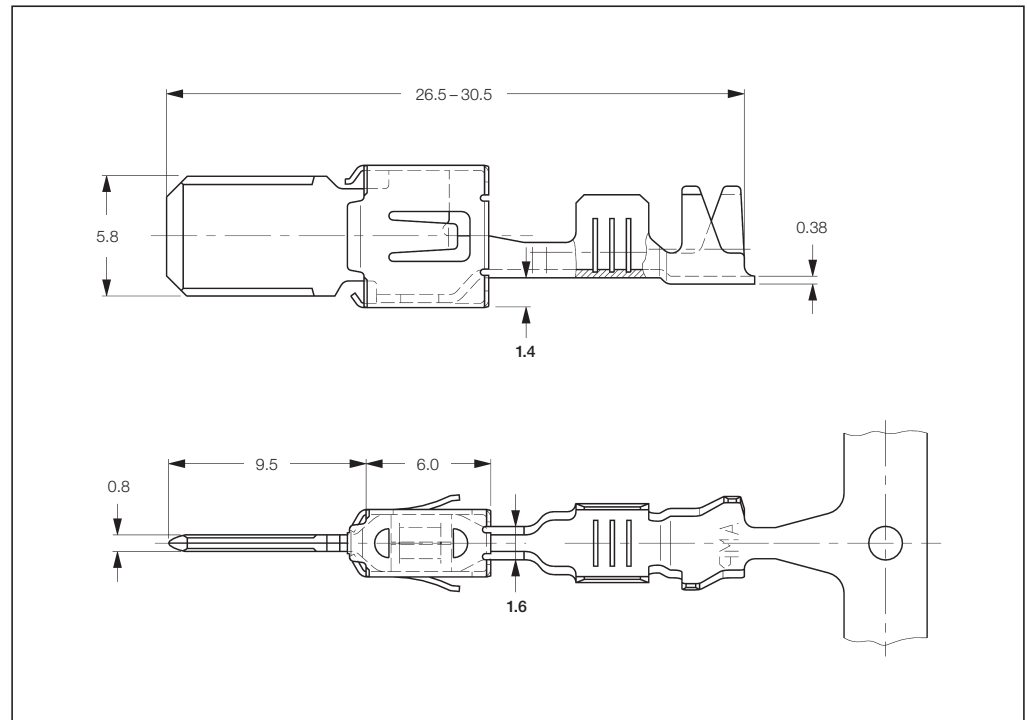
Tabs 5.8 x 0.8 mm with Steel Top Spring, Mates with AMP MCP 6.3/4.8K Contact System

Extraction Tool:
 Part No. **1-1579007-6**

Product Group Drawing:
 1241895

Product Specification:
 108-18064

Application Specification:
 114-18052



Standard Tab Contacts (STC)

| Wire Size Range (mm ²) | Insulation Diameter (mm) | | Material and Finish* | Part Numbers | | | | Applicator | Hand Tool 539635-1 with Die Set |
|------------------------------------|--------------------------|-----------|---------------------------------------|--------------|------------------|-------------|------------------|------------|-------------------------------------|
| | FLK | FLR | | Strip Form | Package Quantity | Loose-Piece | Package Quantity | | |
| 1.5-2.5 | 2.4-3.7 | - | 1-xxx-1 / 1-xxx-2 / 2-xxx-1 / 2-xxx-2 | 962845 | 1,700 | 963740 | 500 | On request | |
| 3.0-4.0 | 3.3-4.5 | - | 1-xxx-1 / 1-xxx-2 / 2-xxx-1 / 2-xxx-2 | 962846 | 1,800 | 963741 | 500 | On request | 539759-2 |
| 0.5-1.0 | - | 1.4-2.1 | 1-xxx-1 / 1-xxx-2 / 2-xxx-1 / 2-xxx-2 | 963734 | 1,700 | 963737 | 500 | On request | |
| 1.5-2.5 | - | 2.2-3.0 | 1-xxx-1 / 1-xxx-2 / 2-xxx-1 / 2-xxx-2 | 963735 | 1,800 | 963738 | 500 | On request | 734688-1** 539623-1** for 2.5 |
| >2.5-4.0 | - | 2.7-3.7 | 1-xxx-1 / 1-xxx-2 / 2-xxx-1 / 2-xxx-2 | 963736 | 1,800 | 963739 | 500 | On request | 539623-1** |
| 0.2-0.5 | - | 1.15-1.60 | 1-xxx-1 / 2-xxx-1 | 965984 | 2,000 | 965985 | 500 | - | - |
| 4.0-6.0 | 4.0-5.2 | - | 1-xxx-1 / 2-xxx-1 | 968050 | 1,500 | 968051 | 500 | On request | - |

Tab Contacts Single Wire Sealing System (SWS)

| Wire Size Range (mm ²) | Insulation Diameter (mm) | | Material and Finish* | Part Numbers | | | | Applicator | Hand Tool 539635-1 with Die Set |
|------------------------------------|--------------------------|---------|---------------------------------------|--------------|------------------|-------------|------------------|------------|---------------------------------|
| | FLK | FLR | | Strip Form | Package Quantity | Loose-Piece | Package Quantity | | |
| 0.5-1.0 | - | 1.4-2.1 | 1-xxx-1 / 1-xxx-2 / 2-xxx-1 / 2-xxx-2 | 962917 | 1,500 | 963742 | 500 | On request | |
| 1.5-2.5 | - | 2.2-3.0 | 1-xxx-1 / 1-xxx-2 / 2-xxx-1 / 2-xxx-2 | 962918 | 1,500 | 963743 | 500 | On request | 539757-2 |
| >2.5-4.0 | - | 2.7-3.7 | 1-xxx-1 / 1-xxx-2 / 2-xxx-1 / 2-xxx-2 | 962919 | 1,500 | 963744 | 500 | On request | |

***) Material and Finish:**

1-xxx-1 = CuSn, pre-tin plated 2-xxx-1 = CuFe, pre-tin plated
 1-xxx-2 = CuSn, selective silver plated 2-xxx-2 = CuFe, selective silver plated

Remarks:

****)** Hand Tool complete

Tab Contacts

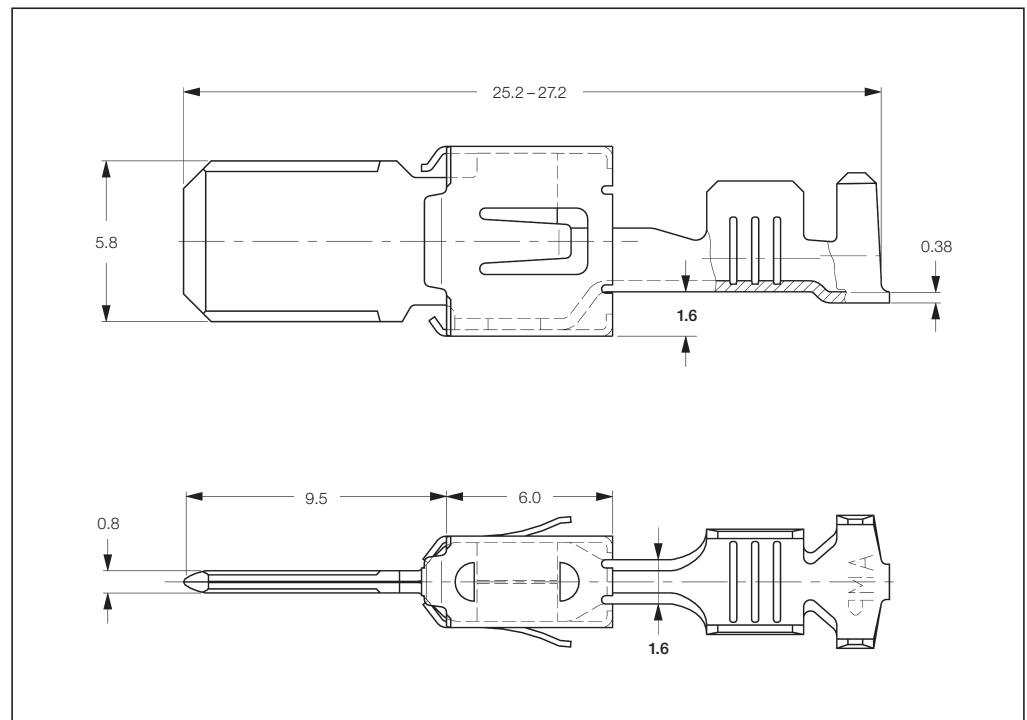
**Tabs 5.8 x 0.8 mm,
with Modified
Steel Top Spring,
Mates with
AMP MCP 6.3/4.8K
Contact System**

Extraction Tool:
Part No. **1-1579007-6**

Product Group Drawing:
1394011

Product Specification:
108-18064

Application Specification:
114-18052



Standard Tab Contacts with Modified Spring (STC)

| Wire Size Range (mm ²) | Insulation Diameter (mm) | | Material and Finish* | Part Numbers | | | | | |
|------------------------------------|--------------------------|-----------|----------------------|--------------|------------------|-------------|------------------|-------------|-----------|
| | FLK | FLR | | Strip Form | Package Quantity | Loose-Piece | Package Quantity | Applicator* | Hand Tool |
| | | | | | | | | | |
| 0.2-0.5 | - | 1.15-1.60 | -1 | 969007 | 1,800 | 969008 | 500 | x-1528296-x | |
| 0.5-1.0 | - | 1.4-2.1 | -1 | 964304 | 1,800 | 964303 | 500 | x-1528093-x | 2063536-1 |
| > 1.0-2.5 | - | 2.2-3.0 | -1 / -3 | 964306 | 1,900 | 964305 | 500 | x-1528094-x | |
| > 2.5-4.0 | 3.3-4.5 | 3.3-4.5 | -1 | 964308 | 1,800 | 964307 | 500 | x-1530004-x | |

Tab Contacts Single Wire Sealing System with Modified Spring (SWS)

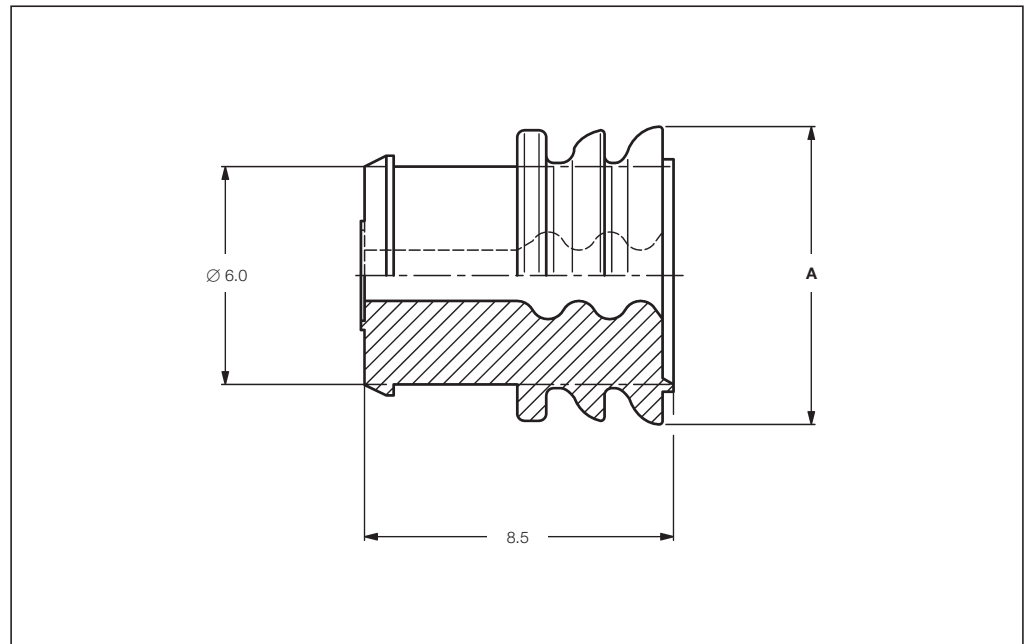
| Wire Size Range (mm ²) | Insulation Diameter (mm) | | Material and Finish* | Part Numbers | | | | | |
|------------------------------------|--------------------------|---------|----------------------|--------------|------------------|-------------|------------------|-------------|-----------|
| | FLK | FLR | | Strip Form | Package Quantity | Loose-Piece | Package Quantity | Applicator* | Hand Tool |
| | | | | | | | | | |
| 0.5-1.0 | - | 1.4-2.1 | -1 | 964310 | 1,500 | 964309 | 500 | x-1528437-x | |
| > 1.0-2.5 | - | 2.2-3.0 | -1 | 964312 | 1,400 | 964311 | 500 | x-1528444-x | 2063560-1 |
| > 2.5-4.0 | - | 2.7-3.7 | -1 | 964314 | 1,300 | 964313 | 500 | x-1528439-x | |

*) **Material and Finish:**
xxx-1 = CuFe, pre-tin plated
xxx-3 = CuSn, selective gold plated

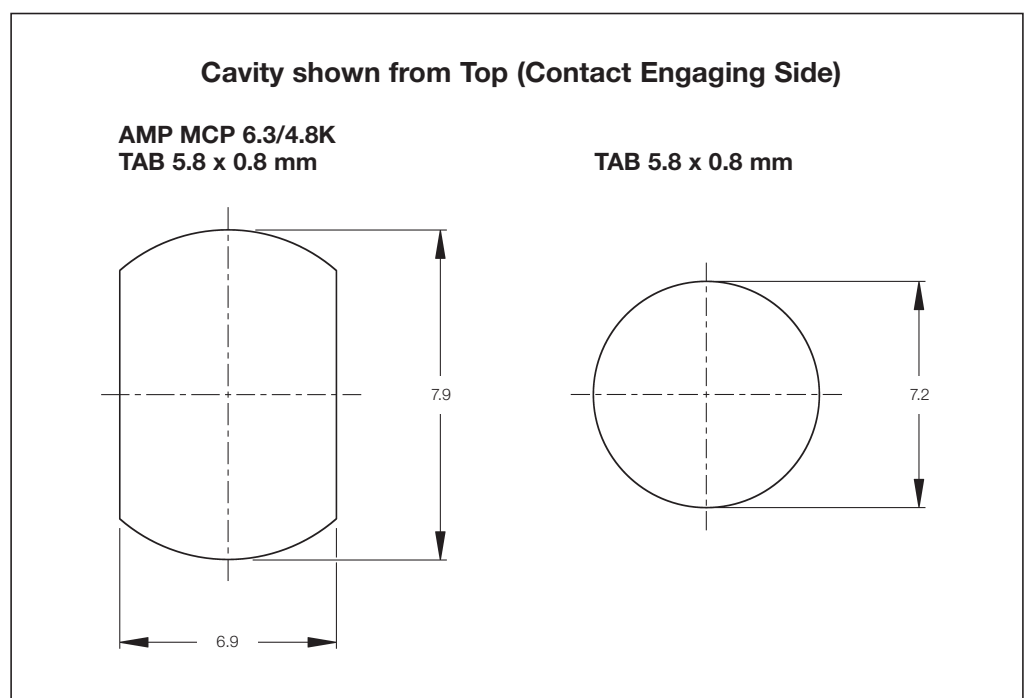
*) The pre- and suffix for the applicators depends on the applied termination equipment.

Single Wire Seals and Sealing Plugs

**Single Wire Seals
and Sealing Plugs
for AMP MCP 6.3/4.8K
Contact System**
(Cavity Diameter see below)

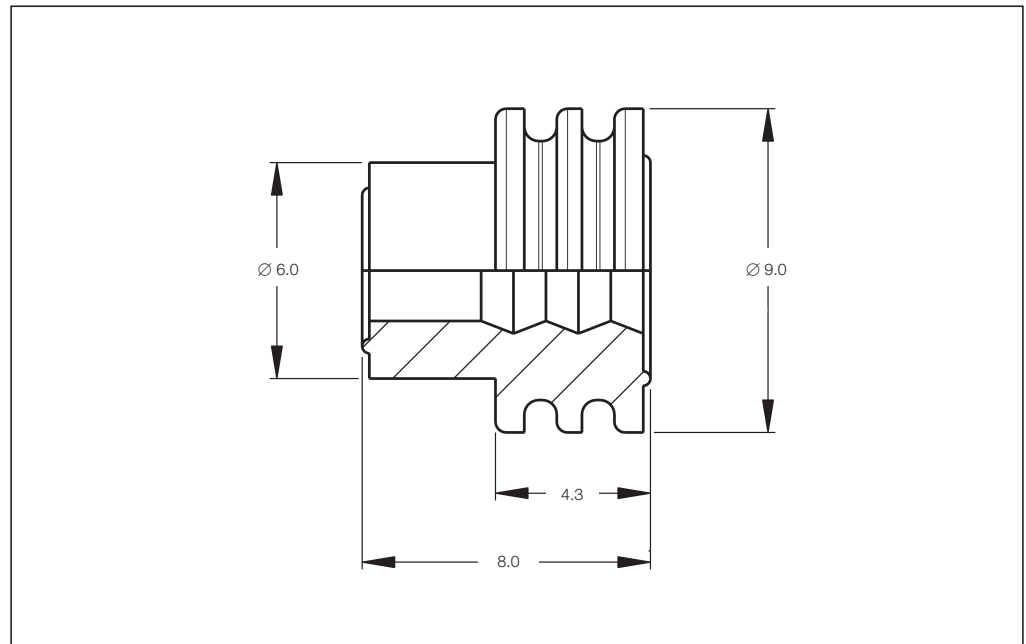


| Insulation Diameter (mm) | Color | Diameter A (mm) | Part Number | Package Quantity |
|--------------------------|--------|-----------------|-------------|------------------|
| 1.4-2.1 | Blue | 8.2 | 963243-1 | 2,500 |
| 2.2-3.0 | White | 8.2 | 963244-1 | 2,500 |
| 3.4-3.7 | Yellow | 8.2 | 963245-1 | 2,500 |
| Sealing Plug | Black | 8.1 | 100132-1 | 1,000 |

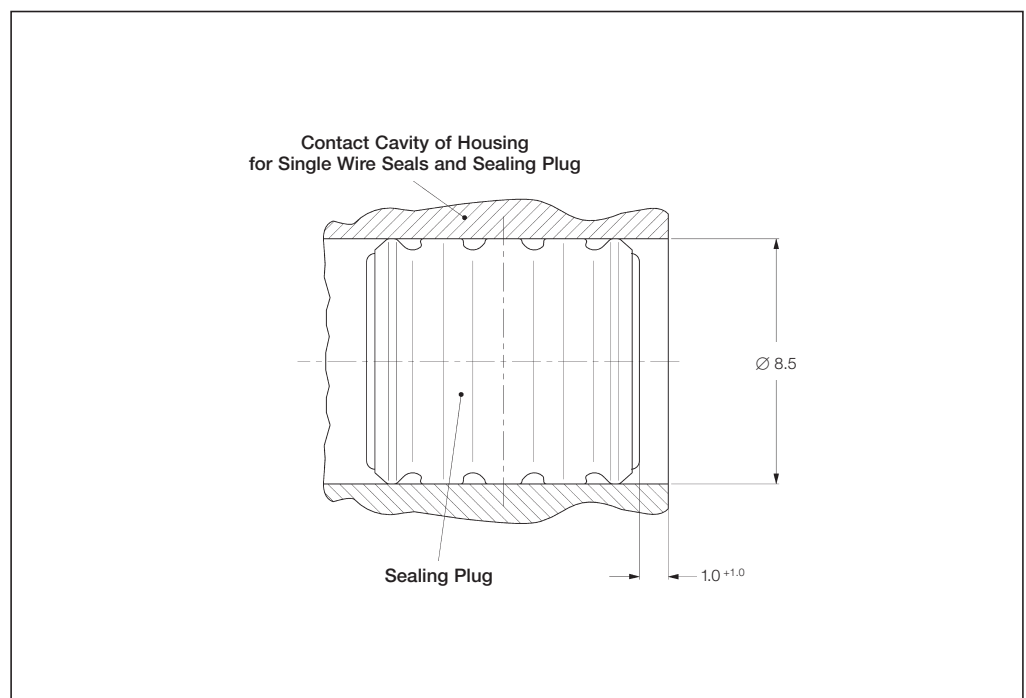


Single Wire Seals and Sealing Plugs

Single Wire Seals and Sealing Plugs for AMP MCP 6.3/4.8K Contact System (Cavity Diameter 8.5 mm)



| Insulation Diameter (mm) | Color | Part Number | Package Quantity |
|--------------------------|-------------|-------------|------------------|
| 2.0-2.7 | White | 1394511-1 | 10,000 |
| 3.4-3.7 | Blue | 1394512-1 | 10,000 |
| 4.0-4.5 | Green | 1719043-1 | 10,000 |
| Sealing Plug | Transparent | 967652-1 | 20,000 |



Engineering Notes



Lanceless Receptacle Contacts

Technical Features

Material:

Contact: CuNiSi
Tabs: CuSn4, CuFe2
Top Spring: Stainless Steel

Contact Finish:

Tin plated

Wire Size Range:

6.0–10.0 mm²

Current Carrying Capacity:

up to 80 Ampere
(at 20 °C ambient temperature)

Temperature Range:

–40 °C ... +130 °C (tin plated)

Mating Cycles: ●

up to 10 cycles (tin plated)

**Modular Dimensions
(Centerline):**

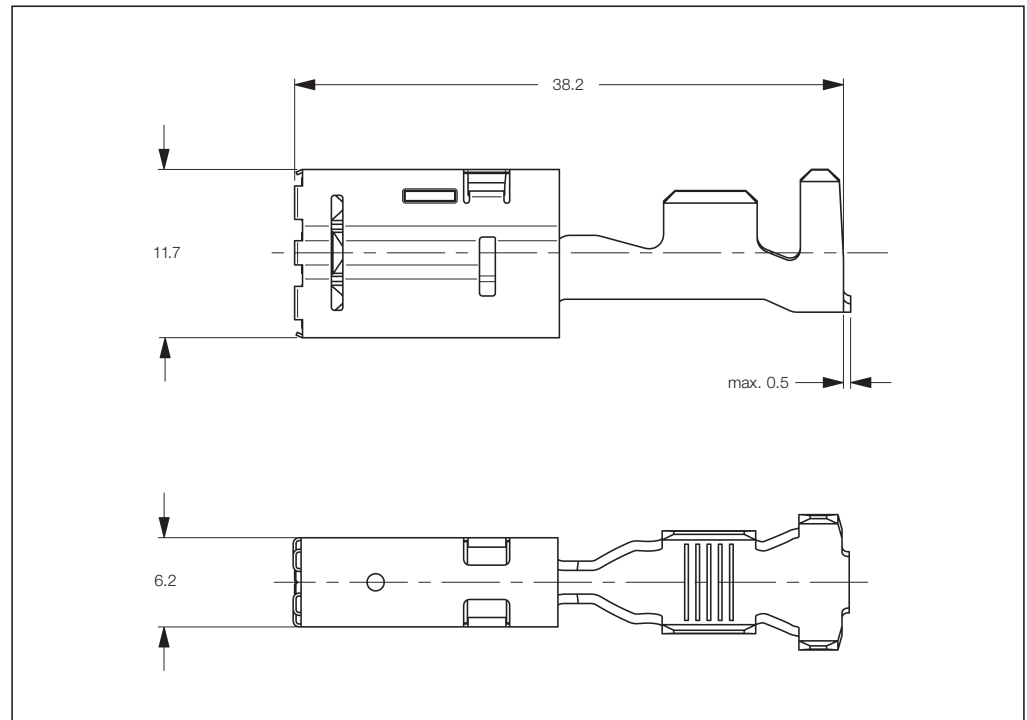
6.0–10.0 mm² SRC:
– 12.7 x 9.5 mm
– 12.7 x 8.5 mm (Staggered)

Contact Resistance:

New State ≤ 4 mΩ

Extraction Tool:

Extraction possible without tool



Mating Force:

Max. 35 N

Unmating Force:

Max. 15 N

Product Specification:

108-18630

Application Specification:

114-18269

●) Mating Cycles are depending on various technical influences and must be clarified in each individual case.

Lanceless Receptacle Contacts

| Wire Size Range (mm ²) | Insulation Diameter (mm) | | Material and Finish * | Part Numbers | | | | | |
|------------------------------------|--------------------------|-----|-----------------------|--------------|------------------|-------------|------------------|------------|---|
| | FLK | FLR | | Strip Form | Package Quantity | Loose-Piece | Package Quantity | Applicator | Hand Tool 539783-1 with Die Set |
| 6.0–10.0 | 4.6–6.6 | – | 1-xxx-1 | 1355849 | 600 | – | – | On request | 539783-5 for 6 mm 539783-6 for 10 mm |

***) Material and Finish:**

1-xxx-1 = CuNiSi, pre-tin plated

Receptacle Contacts

Technical Features

Material:

Contact: CuNiSi
Tabs: CuSn4, CuFe2
Top Spring: Stainless Steel

Contact Finish:

Tin plated,
selective silver plated

Wire Size Range:

6.0–10.0 mm², >10.0–16.0 mm²

Current Carrying Capacity:

up to 100 Ampere
(at 20 °C ambient temperature)

Temperature Range:

–40 °C ... +130 °C (tin plated)
–40 °C ... +140 °C (silver plated)

Mating Cycles:●

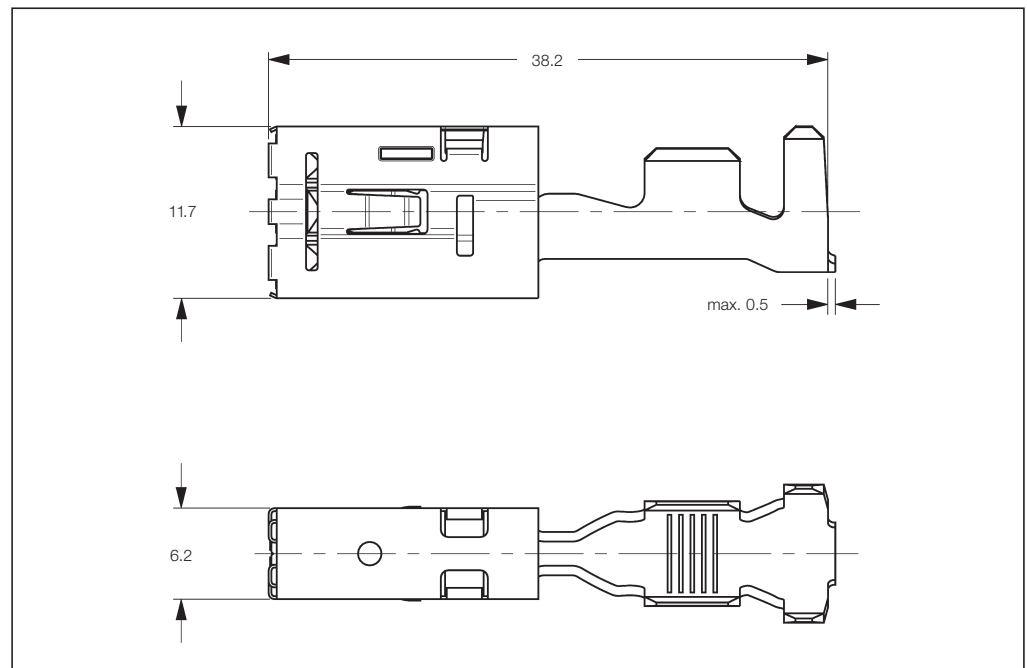
up to 10 cycles (tin plated)
up to 50 cycles (silver plated)

**Modular Dimensions
(Centerline):**

6.0–10.0 mm² SRC:
– 12.7 x 9.5 mm
– 12.7 x 8.5 mm (Staggered)

10.0–16.0 mm² SRC:
– 12.7 x 10.5 mm
– 12.7 x 9.0 mm (Staggered)

6.0–10.0 mm² SWS:
– 16.0 x 16.0 mm
– 16.0 x 14.0 mm (Staggered)



Contact Resistance:
New State ≤ 4 mΩ

Mating Force:
Max. 35 N

Unmating Force:
Max. 15 N

Extraction Tool:
Part No. **539971-1**

Product Group Drawing:
1355037 for tab 9.5 x 1.2
(ISO 8092 standard)
1241994 for tab 9.5 x 0.8

Product Specification:
108-18630

Application Specification:
114-18269

●) Mating Cycles are depending on various technical influences and must be clarified in each individual case.

Standard Receptacle Contacts (SRC)

| Wire Size Range (mm ²) | Insulation Diameter (mm) | | Material and Finish * | Part Numbers | | | | | |
|------------------------------------|--------------------------|-----|-----------------------|--------------|------------------|-------------|------------------|------------|---|
| | FLK | FLR | | Strip Form | Package Quantity | Loose-Piece | Package Quantity | Applicator | Hand Tool 539783-1 with Die Set |
| 3.0–6.0 | 4.0–5.2 | – | 1-xxx-1 | 1718386** | 600 | 1719385 | 500 | – | – |
| 6.0–10.0 | 4.6–6.6 | – | 1-xxx-1 | 967588 | 600 | 929150 | 500 | On request | 539783-5 for 6 mm 539783-6 for 10 mm |
| | | | 1-xxx-1 | 1241930** | 500 | 1241938 | 500 | On request | 539783-5 for 6 mm 539783-6 for 10 mm |
| >10.0–16.0 | 7.1–8.1 | – | 1-xxx-1 / 1-xxx-2 | 967589 | 500 | 929151 | 500 | On request | 539783-7 |

Receptacle Contacts Single Wire Sealing System (SWS)

| Wire Size Range (mm ²) | Insulation Diameter (mm) | | Material and Finish | Part Numbers | | | | | |
|------------------------------------|--------------------------|-----|------------------------|--------------|------------------|-------------|------------------|------------|---|
| | FLK | FLR | | Strip Form | Package Quantity | Loose-Piece | Package Quantity | Applicator | Hand Tool 539783-1 with Die Set |
| 6.0–10.0 | 4.6–6.6 | – | CuNiSi, pre-tin plated | 1-967590-1 | 500 | 1-929152-1 | 500 | On request | 539783-8 for 6 mm 539783-9 for 10 mm |
| >10.0–16.0 | 7.1–8.1 | – | CuNiSi, pre-tin plated | 1-967591-1 | 500 | 1-929153-1 | 500 | On request | 1-539783-0 |

***) Material and Finish:**

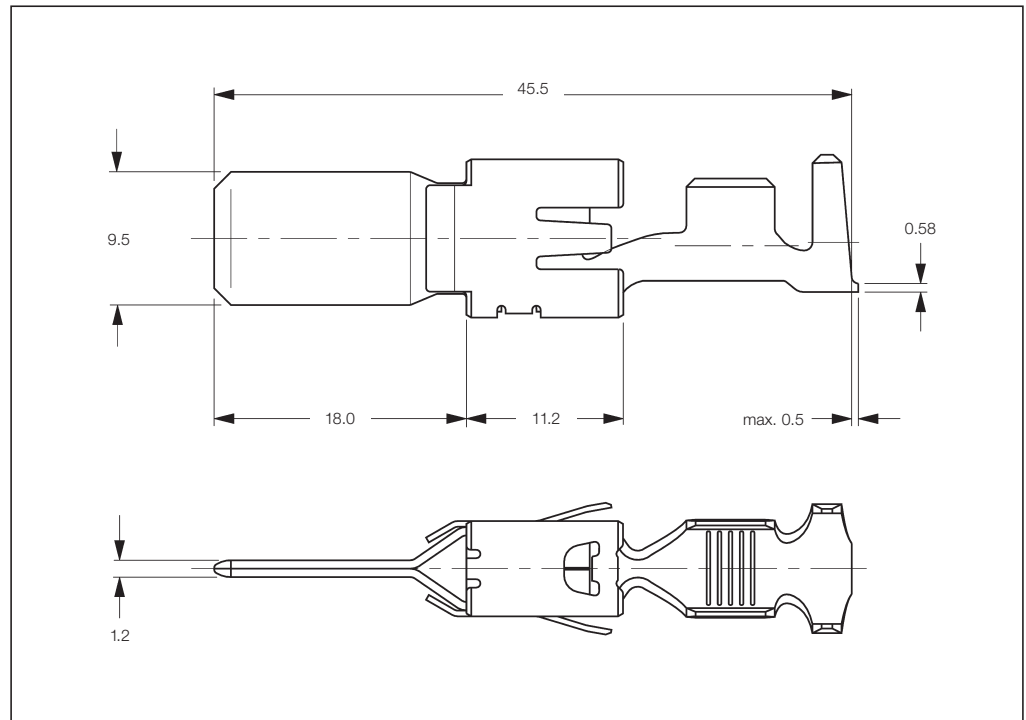
1-xxx-1 = CuNiSi, pre-tin plated
1-xxx-2 = CuNiSi, selective silver plated

*****) For Tab 9.5 x 0.8 mm**

Tab Contacts

**Tabs 9.5 x 1.2 mm
with Steel Top Spring,
Mates with AMP MCP 9.5
Contact System**

Extraction Tool:
Part No. **1-1579007-7**



Standard Tab Contacts (STC)

| Wire Size Range (mm ²) | Insulation Diameter (mm) | | Material and Finish* | Part Numbers | | | | | |
|------------------------------------|--------------------------|-----|----------------------|--------------|------------------|-------------|------------------|------------|-----------|
| | FLK | FLR | | Strip Form | Package Quantity | Loose-Piece | Package Quantity | Applicator | Hand Tool |
| | | | | | | | | | |
| 2.5-4.0 | 3.3-4.7 | - | -1 / -2 | 963764 | 700 | 963765 | 500 | On request | 734532-1 |
| 4.0-6.0 | 4.0-5.2 | - | -1 / -2 | 963766 | 700 | 963767 | 500 | On request | 734533-1 |
| 6.0-10.0 | 4.7-6.6 | - | -1 / -2 / -3 | 963768 | 700 | 963769 | 500 | On request | 734533-1 |

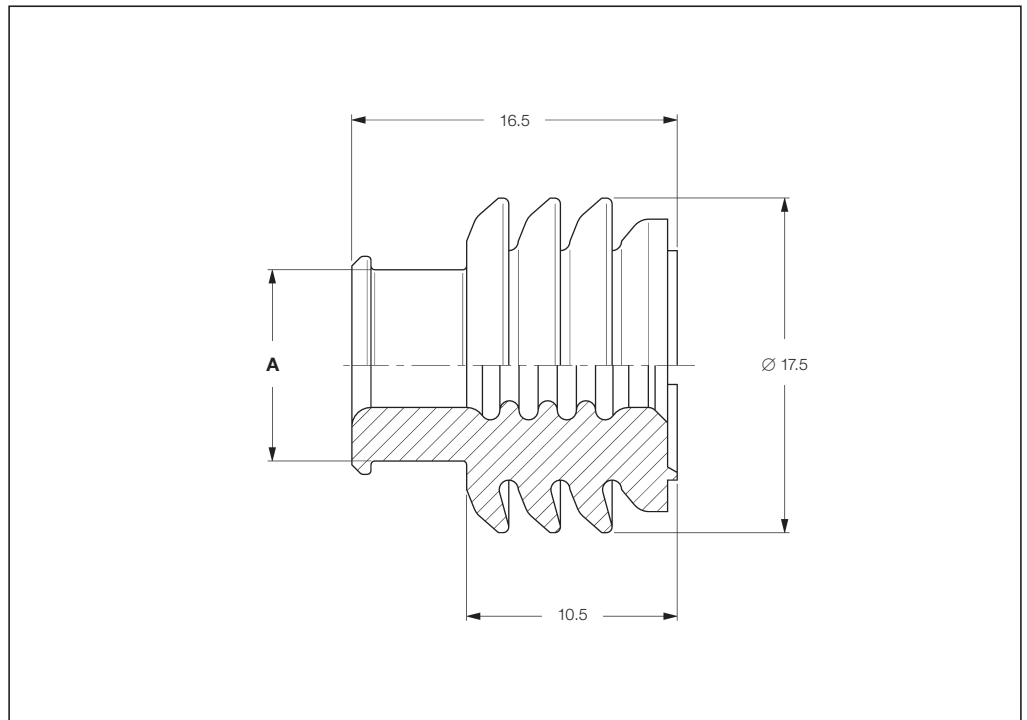
Tab Contacts Single Wire Sealing System (SWS)

| Wire Size Range (mm ²) | Insulation Diameter (mm) | | Material and Finish* | Part Numbers | | | | | |
|------------------------------------|--------------------------|-----|----------------------|--------------|------------------|-------------|------------------|------------|-----------|
| | FLK | FLR | | Strip Form | Package Quantity | Loose-Piece | Package Quantity | Applicator | Hand Tool |
| | | | | | | | | | |
| 2.5-4.0 | 4.0-4.5 | - | -1 / -2 | 963770 | 550 | 963771 | 500 | On request | - |
| 4.0-6.0 | 4.7-5.3 | - | -1 / -2 | 963772 | 550 | 963773 | 500 | On request | - |
| 6.0-10.0 | 6.2-6.6 | - | -1 / -2 | 963774 | 550 | 963775 | 500 | On request | - |

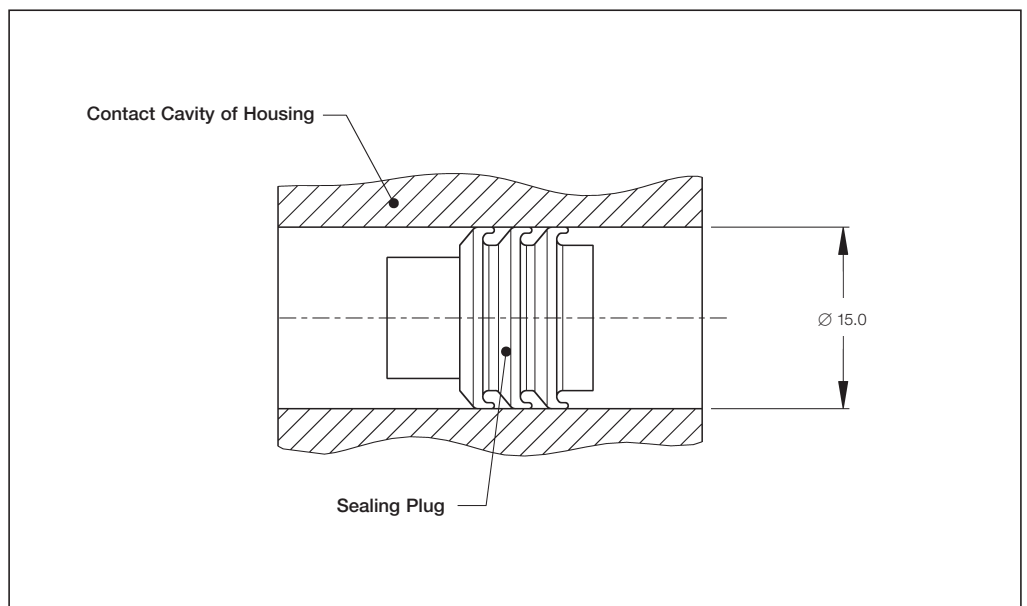
***) Material and Finish:**
 -1 = CuSn, pre-tin plated
 -2 = CuFe, pre-tin plated
 -3 = CuSn0.15, pre-tin plated

Single Wire Seals and Sealing Plugs

Single Wire Seals and Sealing Plugs for AMP MCP 9.5 Contact System



| Wire Size Range (mm ²) | Insulation Diameter (mm) | Color | Part Number | Package Quantity | Dimension A (mm) |
|------------------------------------|--------------------------|--------|-------------|------------------|------------------|
| 6.0 | 4.6–5.2 | Violet | 1355437-1 | 4,000 | 10.0 |
| 10.0 | 5.8–6.6 | Blue | 1355437-2 | 4,000 | 10.0 |
| 16.0 | 7.1–8.1 | Red | 1355437-3 | 4,000 | 10.8 |
| – | Sealing Plug | – | – | – | – |



Introduction



The AMP MCP Connector System offers receptacle and tab housings with capability for waterproofing and resistance to conditions of extreme vibration.

The system is designed for electronic and electrical applications in motor vehicles, where vibrations and mechanical stress, in the long term, can affect the quality on the contact system.

AMP MCP Connectors

- High reliability status supported for long term use
- High vibration level supported
- Perfect design to avoid quality problems, reduce manufacturing and service cost
- Integrated secondary locking device delivered in pre-locked position
- Wire-to-wire sealed and unsealed connectors (SWS)
- Wire-to-board sealed and unsealed connectors (SWS)
- Polarisation, several keyings
- Locking mechanism for smaller connectors/mating aid for higher numbers of ways

Unsealed AMP MCP 1.5K Receptacle Housings

Technical Features

No. of Positions:

32 (22+10) Positions

Housing Material:

22 Position: PBT/ASA-GF20

10 Position: PBT-GF10

Wire Size Range:

AMP MCP 1.5K: 0.2–1.5 mm²

AMP MCP 2.8K: 0.2–2.5 mm²

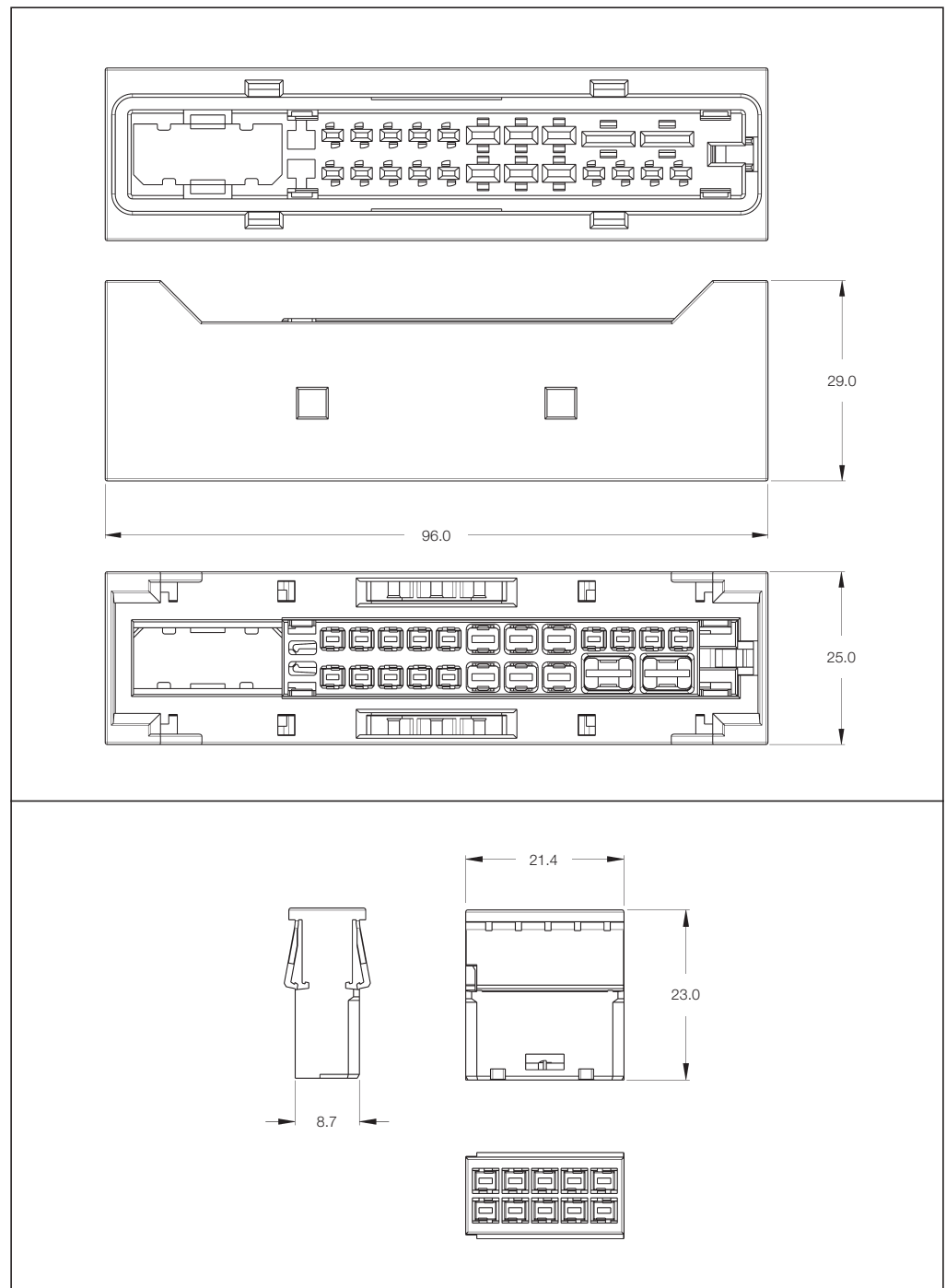
AMP MCP 4.8K: 0.2–4.0 mm²

Product Specification:

108-18950

Application Specification:

114-18619-001



Receptacle Housings with 22 Pos. and 10 Pos. AMP MCP

| No. of Positions | Keying Options | Housing Color | Part Numbers | | | |
|------------------|----------------|----------------------|----------------------------------|----------------------------------|-----------------|-------------------------------|
| | | | Receptacle Housing, 22 Positions | Receptacle Housing, 10 Positions | Cover and Lever | Mating PCB Header Right-Angle |
| 22+10 | - | Black / Slider Right | 1534180-1 | 1534181-1 | 1534184-1 | 1534046-1 |
| | | Black / Slider Left | 1534180-2 | 1534181-1 | 1534184-2 | 1534046-1 |

Unsealed AMP MCP 1.5K Receptacle Housings

Technical Features

No. of Positions:

32 (22+10) Positions

Housing Material:

22 Position: PBT/ASA-GF20

10 Position: PBT-GF10

Wire Size Range:

AMP MCP 1.5K: 0.2–1.5 mm²

AMP MCP 2.8K: 0.2–2.5 mm²

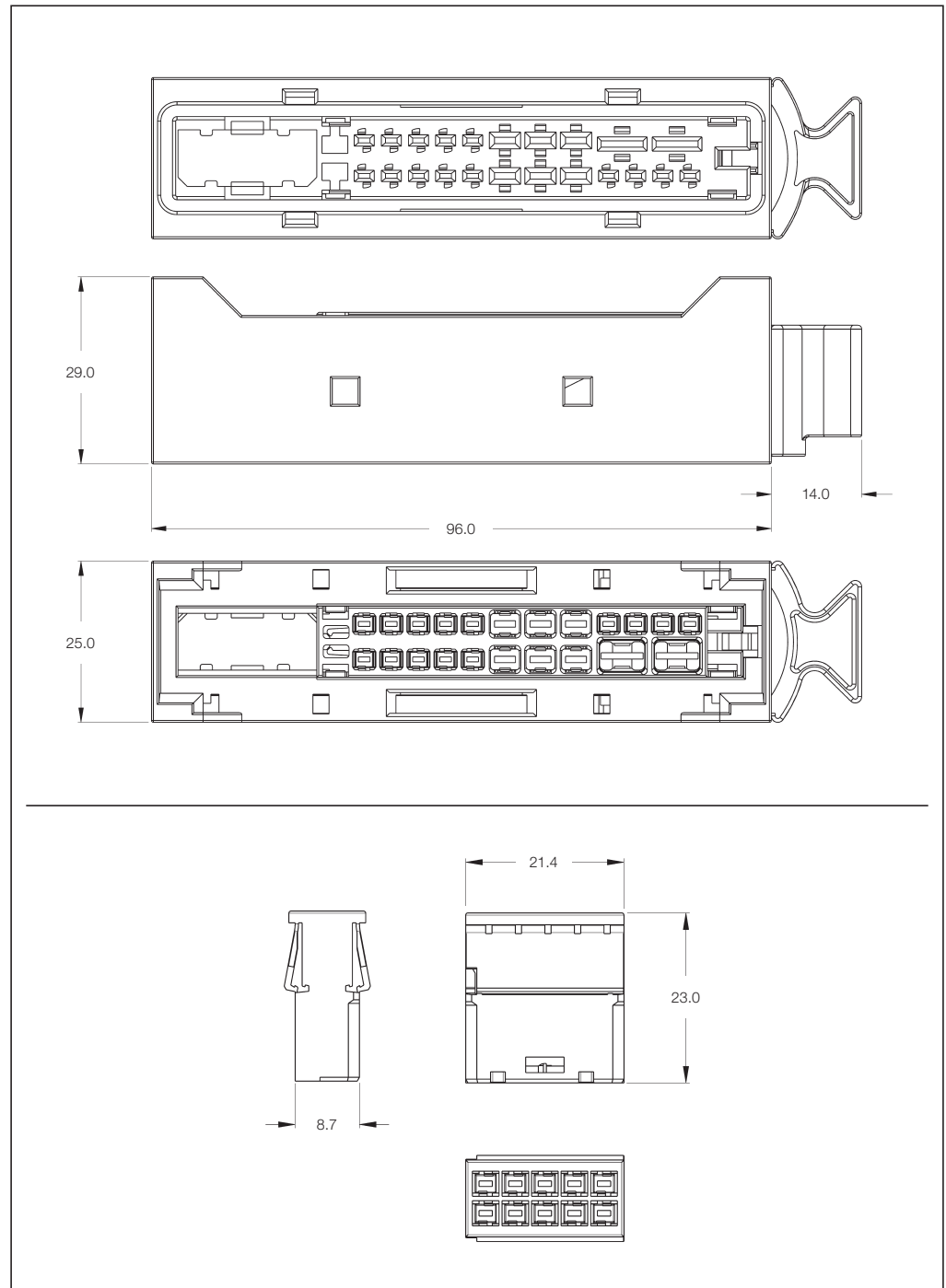
AMP MCP 4.8K: 0.2–4.0 mm²

Product Specification:

108-18950

Application Specification:

114-18619-001



Receptacle Housings with 22 Pos. and 10 Pos. AMP MCP

| No. of Positions | Keying Options | Housing Color | Part Numbers | | | |
|------------------|----------------|---------------|----------------------------------|----------------------------------|-----------------|-------------------------------|
| | | | Receptacle Housing, 22 Positions | Receptacle Housing, 10 Positions | Cover and Lever | Mating PCB Header Right-Angle |
| 22+10 | – | Black | 1534399-1 | 1534181-1 | – | 1534046-1 |

Unsealed AMP MCP 1.5K Receptacle Housings

Technical Features

No. of Positions:

38 (22+16) Positions

Housing Material:

22 Position: PBT/ASA-GF20

10 Position: PBT-GF10

Wire Size Range:

AMP MCP 1.5K: 0.2–1.5 mm²

AMP MCP 2.8K: 0.2–2.5 mm²

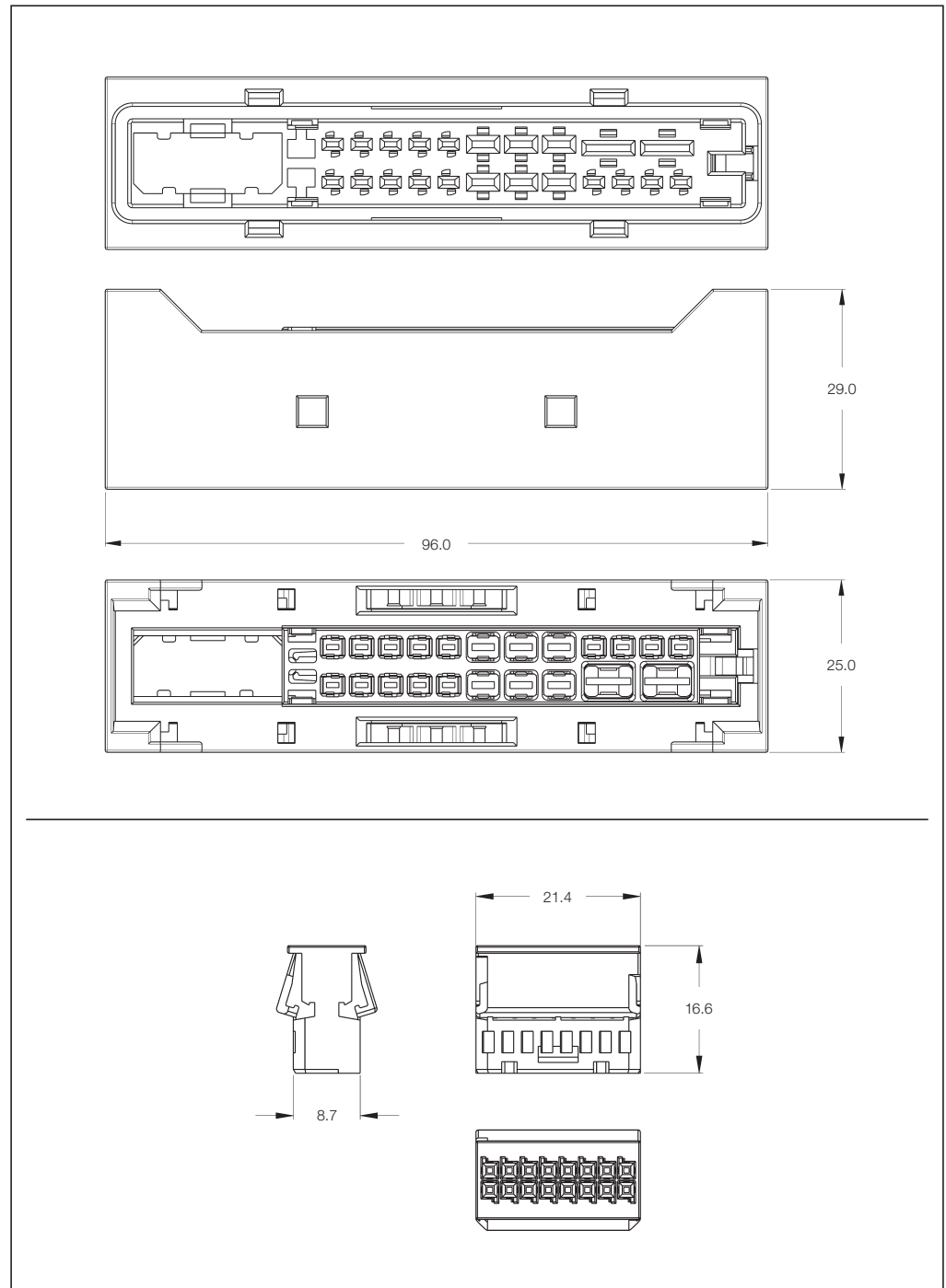
AMP MCP 4.8K: 0.2–4.0 mm²

Product Specification:

108-18950

Application Specification:

114-18619-001



Receptacle Housings with 22 Pos. AMP MCP + 16 Pos. MQS (Micro Quadlok)

| No. of Positions | Keying Options | Housing Color | Part Numbers | | | |
|------------------|----------------|----------------------|----------------------------------|----------------------------------|-----------------|-------------------------------|
| | | | Receptacle Housing, 22 Positions | Receptacle Housing, 16 Positions | Cover and Lever | Mating PCB Header Right-Angle |
| 22+16 | - | Black / Slider Right | 1534180-1 | 1534579-1 | 1534184-1 | 1534531-1 |
| | | Black / Slider Left | 1534180-2 | 1534579-1 | 1534184-2 | 1534531-1 |

Unsealed AMP MCP 1.5K Receptacle Housings

Technical Features

No. of Positions:

38 (22+16) Positions

Housing Material:

22 Position: PBT/ASA-GF20

10 Position: PBT-GF10

Wire Size Range:

AMP MCP 1.5K: 0.2–1.5 mm²

AMP MCP 2.8K: 0.2–2.5 mm²

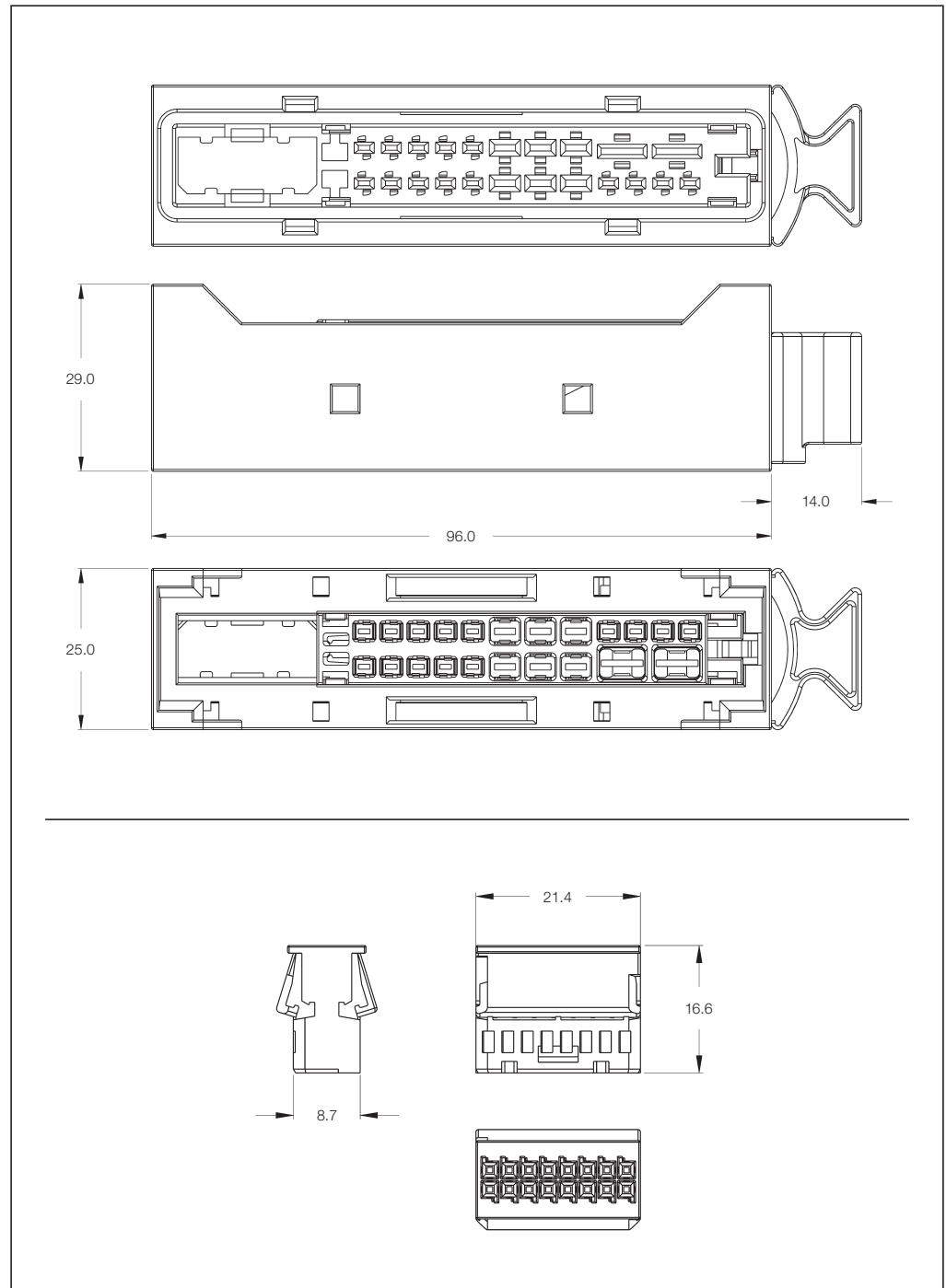
AMP MCP 4.8K: 0.2–4.0 mm²

Product Specification:

108-18950

Application Specification:

114-18619-001



Receptacle Housings with 22 Pos. AMP MCP + 16 Pos. MQS (Micro Quadlok)

| No. of Positions | Keying Options | Housing Color | Part Numbers | | | |
|------------------|----------------|---------------|----------------------------------|----------------------------------|-----------------|-------------------------------|
| | | | Receptacle Housing, 22 Positions | Receptacle Housing, 10 Positions | Cover and Lever | Mating PCB Header Right-Angle |
| 22+16 | – | Black | 1534399-1 | 1534579-1 | – | 1534531-1 |

Unsealed AMP MCP 1.5K/2.8 Receptacle Housings

Technical Features

No. of Positions:

12 Positions Assembly

Housing Material:

PA 66 GF

Wire Size Range:

4x 2.5 mm² FLR Max.
 8x 1.5 mm² FLR Max.

Extraction Tools:

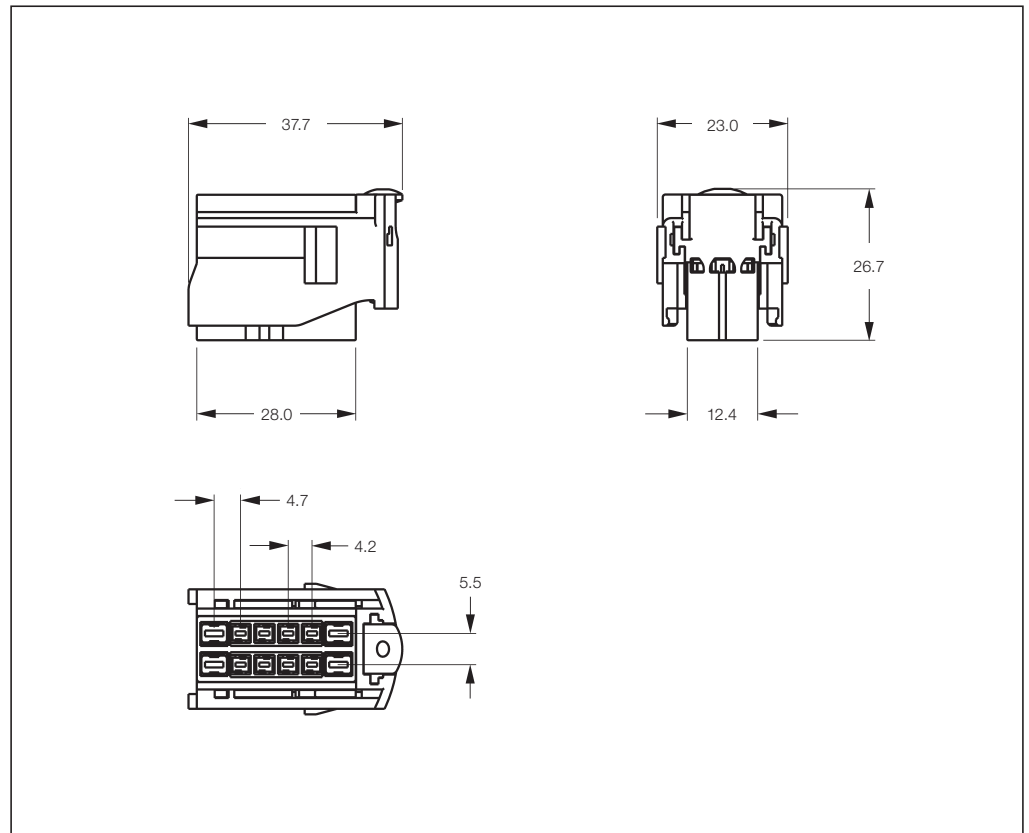
Part No. **1579007-1**
 Part No. **1-1579007-1**
 dependent on the contact

Product Specification:

108-20243

Application Specification:

411-20071



Unsealed Mixed Receptacle Housings

| No. of Positions | Keying Options | Housing Color | Part Numbers | | | |
|------------------|----------------|---------------|--------------------|------------------|--------------------|-------------------|
| | | | Receptacle Housing | Package Quantity | Mating Tab Housing | Mating PCB Header |
| 12 | A with CPA* | Black | 284853-1 | 1,000 | 284858-1 | - |
| | A without CPA | Black | 284853-2 | 1,000 | 284858-3 | - |
| | B with CPA* | Gray | 284853-3 | 1,000 | 284858-2 | - |
| | B without CPA | Gray | 284853-4 | 1,000 | 284858-4 | - |

*) CPA = Connector Position Assurance.

Unsealed AMP MCP 1.5K/2.8 Receptacle Housings

Technical Features

No. of Positions:

20 Positions Assembly

Housing Material:

PA 66 GF

Wire Size Range:

4x 2.5 mm² FLR Max.
 16x 1.5 mm² FLR Max.

Extraction Tools:

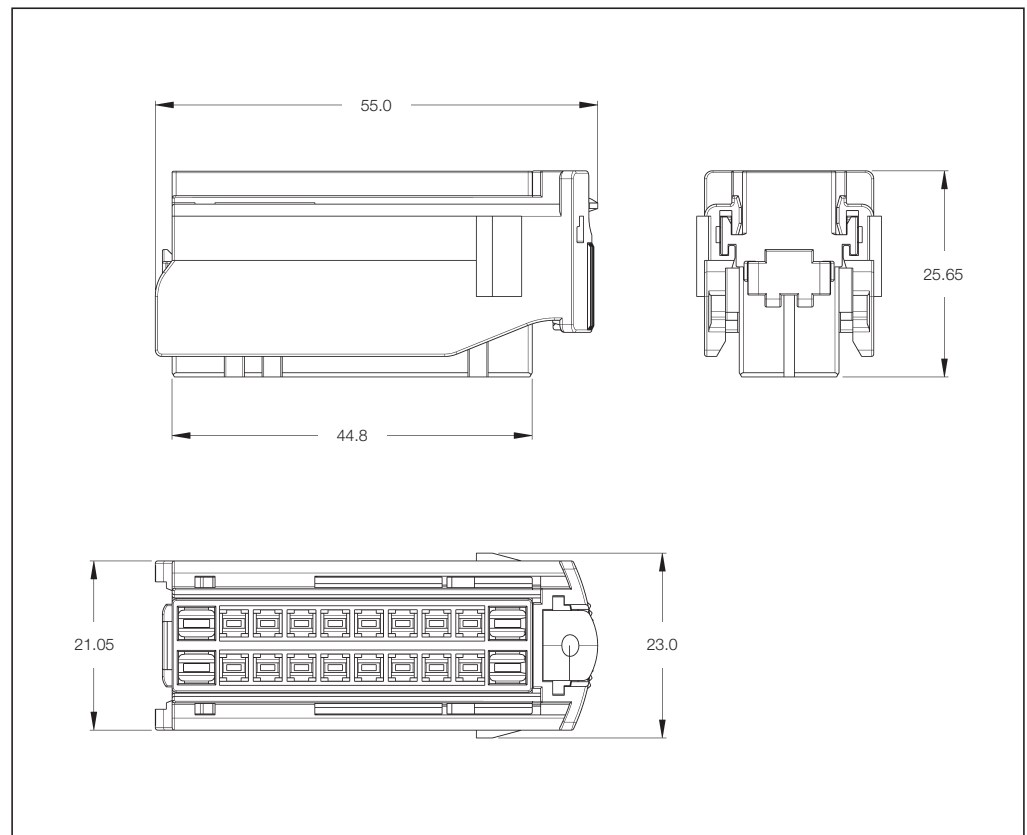
Part No. **1579007-1**
 Part No. **1-1579007-1**
 dependent on the contact

Product Specification:

108-20243

Application Specification:

411-20071



Unsealed Mixed Receptacle Housings

| No. of Positions | Keying Options | Housing Color | Part Numbers | | | |
|------------------|----------------|---------------|--------------------|------------------|--------------------|-------------------|
| | | | Receptacle Housing | Package Quantity | Mating Tab Housing | Mating PCB Header |
| 20 | A with CPA* | Black | 284875-1 | 600 | 284879-1 | - |
| | A without CPA | Black | 284875-2 | 600 | 284879-3 | - |
| | B with CPA* | Gray | 284875-3 | 600 | 284879-2 | - |
| | B without CPA | Gray | 284875-4 | 600 | 284879-4 | - |

*) CPA = Connector Position Assurance.

Unsealed AMP MCP 1.5K Receptacle Insert

Technical Features

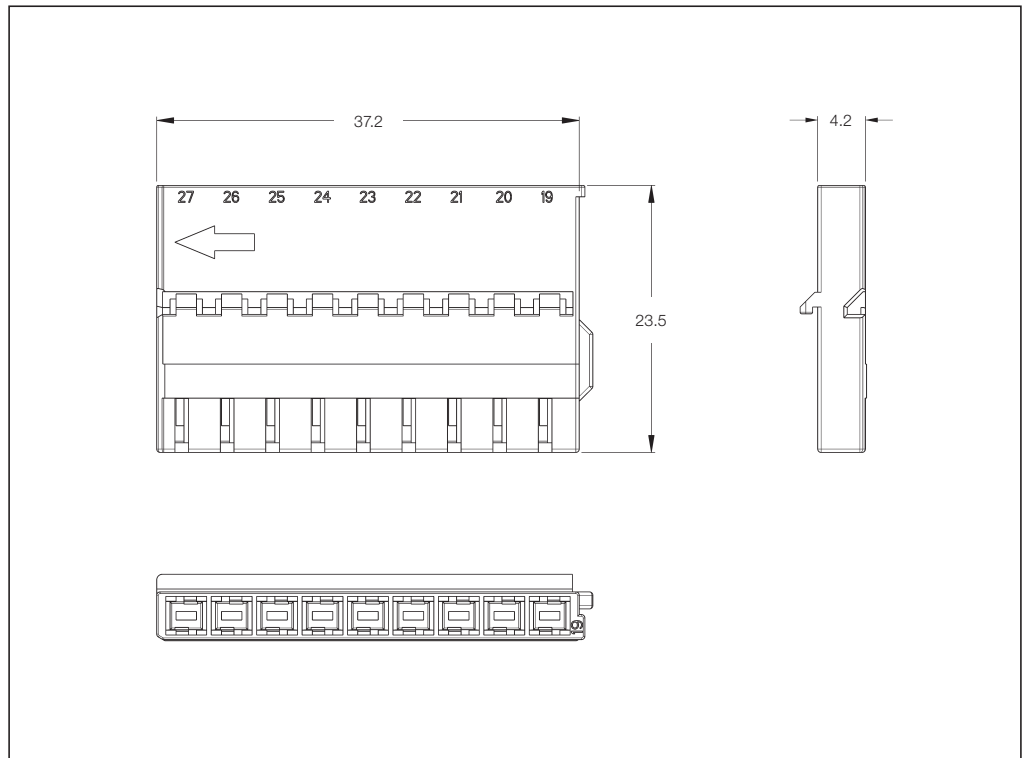
No. of Positions:
9 Positions

Housing Material:
PBT-GF20

Wire Size Range:
1.5 mm² FLR Max.

Product Specification:
108-18957

Application Specification:
114-18663



AMP MCP 1.5K Receptacle Insert

| No. of Positions | Keying Options | Housing Color | Part Numbers | |
|------------------|----------------|---------------|-------------------|-------------------|
| | | | Receptacle Insert | Used with Carrier |
| 9 | A | Black | 1718490-1 | 1-1718485-1 |
| | | | | 1-1718485-2 |
| | B | Natural | 1718490-2 | 1-1718485-3 |
| | | | | 1-1718485-4 |

Unsealed AMP MCP 1.5K Receptacle Insert

Technical Features

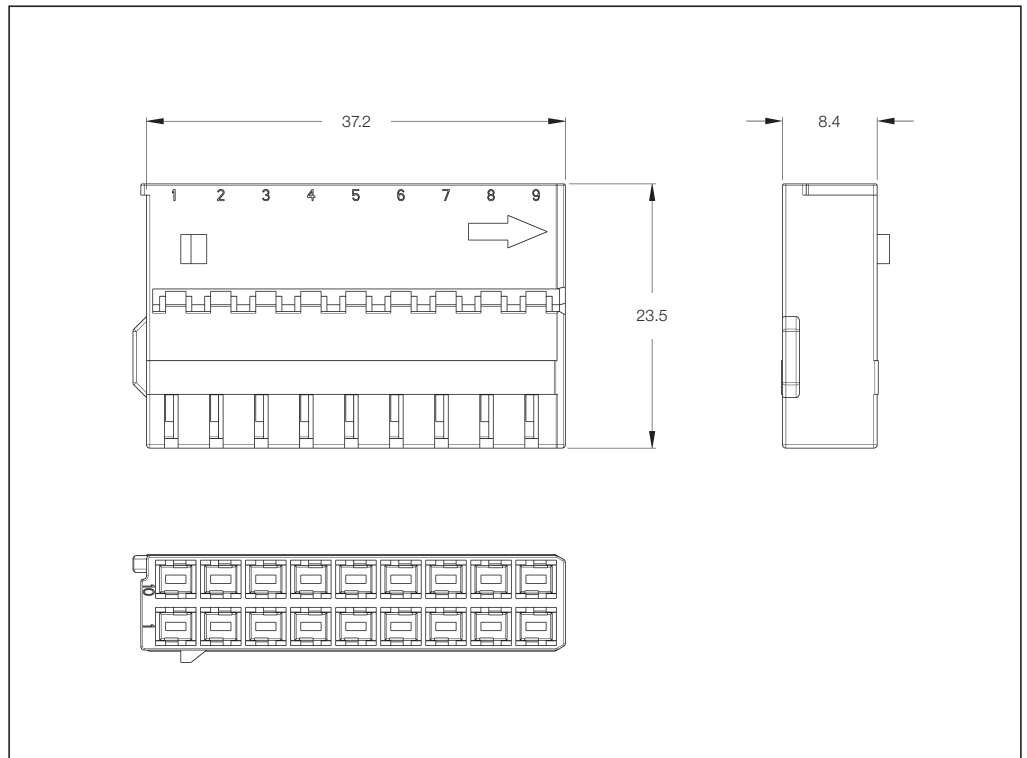
No. of Positions:
 18 Positions

Housing Material:
 PBT-GF20

Wire Size Range:
 1.5 mm² FLR Max.

Product Specification:
 108-18957

Application Specification:
 114-18663



AMP MCP 1.5K Receptacle Insert

| No. of Positions | Keying Options | Housing Color | Part Numbers | |
|------------------|----------------|---------------|-------------------|-------------------|
| | | | Receptacle Insert | Used with Carrier |
| 18 | - | Black | 1718489-1 | 1-1718484-1 |
| | | | | 1-1718484-2 |
| | | | | 1-1718484-3 |
| | | | | 1-1718484-4 |
| | | | | 1-1718485-1 |
| | | | | 1-1718485-2 |
| | | | | 1-1718485-3 |
| | | | | 1-1718485-4 |

Unsealed AMP MCP 2.8 Receptacle Insert

Technical Features

No. of Positions:

7 Positions

Housing Material:

PBT-GF20

Wire Size Range:

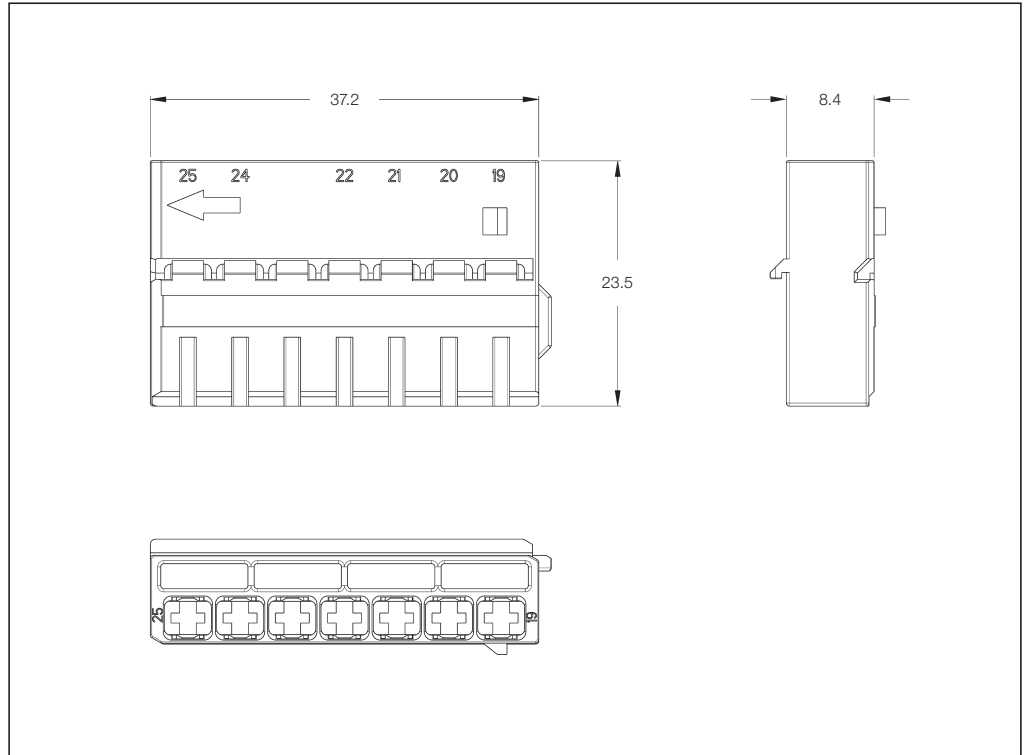
2.5 mm² FLR Max.

Product Specification:

108-18957

Application Specification:

114-18663



AMP MCP 2.8 Receptacle Insert

| No. of Positions | Keying Options | Housing Color | Part Numbers | |
|------------------|----------------|---------------|-------------------|-------------------|
| | | | Receptacle Insert | Used with Carrier |
| 7 | - | Natural | 1718488-1 | 1-1718484-1 |
| | | | | 1-1718484-2 |
| | | | | 1-1718484-3 |
| | | | | 1-1718484-4 |

Unsealed (Carrier) Housings for AMP MCP 1.5K Receptacle Inserts

Technical Features

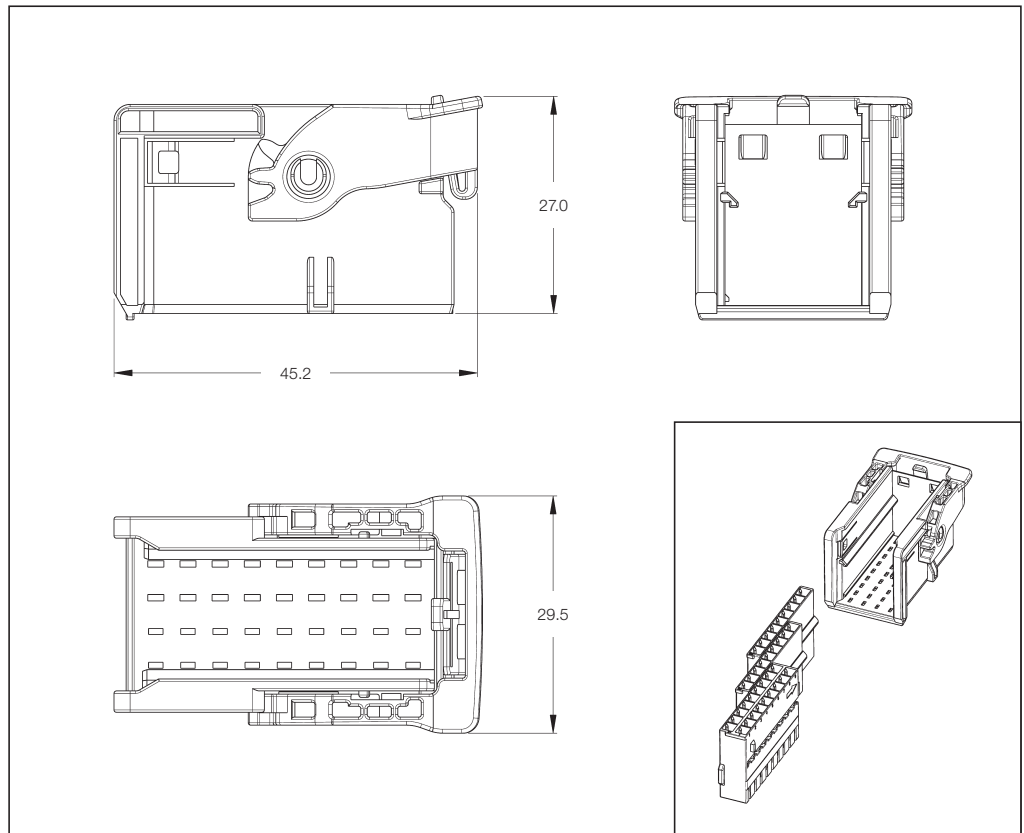
No. of Positions:
 36 Positions

Housing Material:
 PBT/ASA-GF30

Wire Size Range:
 1.5 mm² FLR Max.
 with receptacle insert
 Part No. **1718489** and
 Part No. **1718490**

Product Specification:
 108-18957

Application Specification:
 114-18663



Unsealed (Carrier) Housings for AMP MCP 1.5K Receptacle Inserts

| No. of Positions | Keying Options | Housing Color | Part Numbers | | | | |
|------------------|----------------|---------------|--------------------|---------------------|---------------------|--------------------|-------------------|
| | | | Carrier with Lever | 9 Pos. Insert Key A | 9 Pos. Insert Key B | Mating Tab Housing | Mating Tab Header |
| 36 | A | Brown | 1-1718485-1 | | | 1-1718492-1 | 1-1670615-1 |
| | B | Purple | 1-1718485-2 | 1718490-1 | 1718490-2 | 1-1718492-2 | *) |
| | C | Emerald Green | 1-1718485-3 | | | 1-1718492-3 | *) |
| | D | Water Blue | 1-1718485-4 | | | 1-1718492-4 | *) |

*) On request.

Unsealed (Carrier) Housings for AMP MCP 1.5K and AMP MCP 2.8 Receptacle Inserts

Technical Features

No. of Positions:
 25 Positions

Housing Material:
 PBT/ASA-GF30

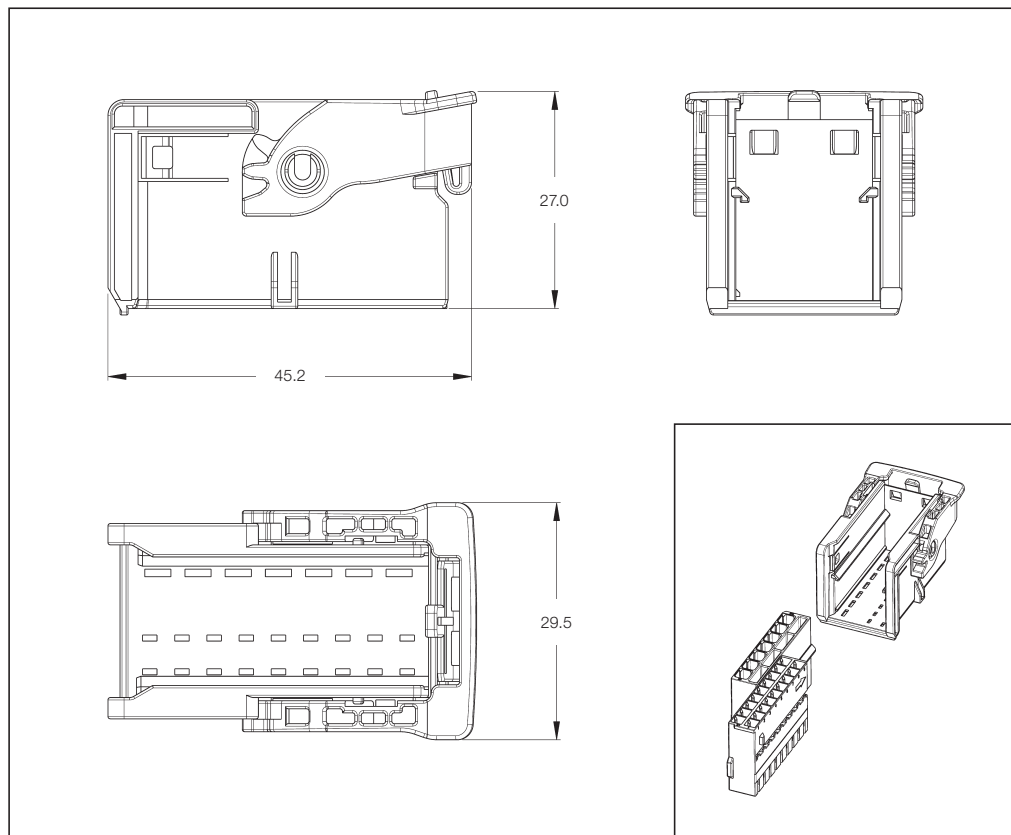
**Wire Size Range
 (with Receptacle Insert):**

Part No. **1718488-1**
 2.5 mm² FLR Max. (7x)

Part No. **1718489-1**
 1.5 mm² FLR Max. (18x)

Product Specification:
 108-18957

Application Specification:
 114-18663



Unsealed (Carrier) Housings for AMP MCP 1.5K and AMP MCP 2.8 Receptacle Inserts

| No. of Positions | Keying Options | Housing Color | Part Numbers | | | | |
|------------------|----------------|---------------|--------------------|-------------------|--------------------|--------------------|-------------------|
| | | | Carrier with Lever | 7 Position Insert | 18 Position Insert | Mating Tab Housing | Mating Tab Header |
| 25 | A | Brown | 1-1718484-1 | | | 1-1718491-1 | 1-1670615-2 |
| | B | Purple | 1-1718484-2 | 1718488-1 | 1718489-1 | 1-1718491-2 | *) |
| | C | Emerald Green | 1-1718484-3 | | | 1-1718491-3 | *) |
| | D | Water Blue | 1-1718484-4 | | | 1-1718491-4 | *) |

*) On request.

Unsealed AMP MCP 2.8 Receptacle Housings with Secondary Locking

Technical Features

No. of Positions:
 3–21 Positions

Housing Material:
 PA 66 GF13

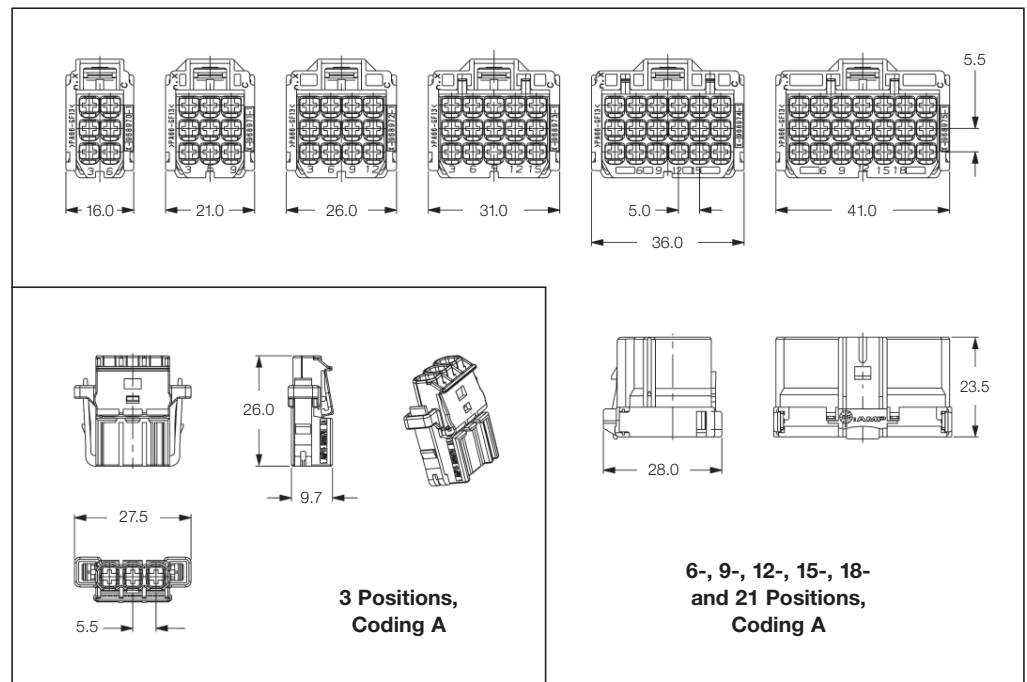
Material and Finish Headers:
 CuSn, tin plated

Wire Size Range:
 2.5 mm² FLR Max.
 4.0 mm² FLR Max. (3 pos. only)

Product Group Drawing:
 1355073 for 3–21 positions

Product Specification:
 108-18619-3

Application Specification:
 114-18221-3



AMP MCP 2.8 Receptacle Housings with Secondary Locking

| No. of Positions | Keying Options | Housing Color | Part Numbers | | | |
|------------------|----------------|---------------|--------------------|------------------|--------------------|-------------------------------|
| | | | Receptacle Housing | Package Quantity | Mating Tab Housing | Mating PCB Header Right-Angle |
| 3 | | Black | 1-968976-9 | – | 1-968977-9 | |
| 6 | | Blue** | 8-968970-1 | – | 1-965641-1* | |
| 9 | | Yellow** | 8-968971-1 | – | 1-967626-1* | |
| 12 | A | Green** | 8-968972-1 | – | 1-967627-1* | |
| 15 | | Violet** | 8-968973-1 | – | 1-967628-1* | |
| 18 | | Gray | 8-968974-1 | – | 1-967629-1* | |
| 21 | | Brown** | 8-968975-1 | – | 1-967630-1* | |
| 3 | | Gray | 2-968976-9 | – | 2-968977-9 | |
| 6 | | Natural | 7-968970-1 | – | 2-965641-1 | |
| 9 | | Natural | 7-968971-1 | – | 2-967626-1 | |
| 12 | B | Natural | 7-968972-1 | – | 2-967627-1 | 6 Pos. 966140-5, Black |
| 15 | | Natural | 7-968973-1 | – | 2-967628-1 | 9 Pos. 966140-4, Black |
| 18 | | Natural | 7-968974-1 | – | – | 12 Pos. 966140-3, Black |
| 21 | | Natural | 7-968975-1 | – | 2-967630-1 | 15 Pos. 966140-2, Black |
| 3 | | Blue | 3-968976-9 | – | 3-968977-9 | 18 Pos. 966140-1, Black |
| 6 | | Blue | 6-968970-1 | – | 3-965641-1 | 21 Pos. 966140-6, Black |
| 9 | | Blue | 6-968971-1 | – | 3-967626-1 | |
| 12 | C | Blue | 6-968972-1 | – | 3-967627-1 | |
| 15 | | Blue | 6-968973-1 | – | 3-967628-1 | |
| 18 | | Blue | 6-968974-1 | – | – | |
| 21 | | Blue | 6-968975-1 | – | 3-967630-1 | |
| 6 | | Violet | 5-968970-1 | – | 4-965641-1 | |
| 9 | | Violet | 5-968971-1 | – | 4-967626-1 | |
| 12 | D | Violet | 5-968972-1 | – | 4-967627-1 | |
| 15 | | Violet | 5-968973-1 | – | 4-967628-1 | |
| 18 | | Violet | 5-968974-1 | – | – | |

*) Other colors available. See Product Group Drawing 1355072.

***) Other colors available. See Product Group Drawing 1355073.

Receptacle Housings for AMP MCP 2.8 Contacts

Technical Features

No. of Positions:

4, 6, 10 and 14 Positions

Housing Material:

PBT-GF10

Wire Size Range:

4.0 mm² FLR Max.

Extraction Tool:

Part No. **929039-1**

Interface Drawing:

114-18792 – 4 Positions

114-18793 – 6 Positions

114-18795 – 10 Positions

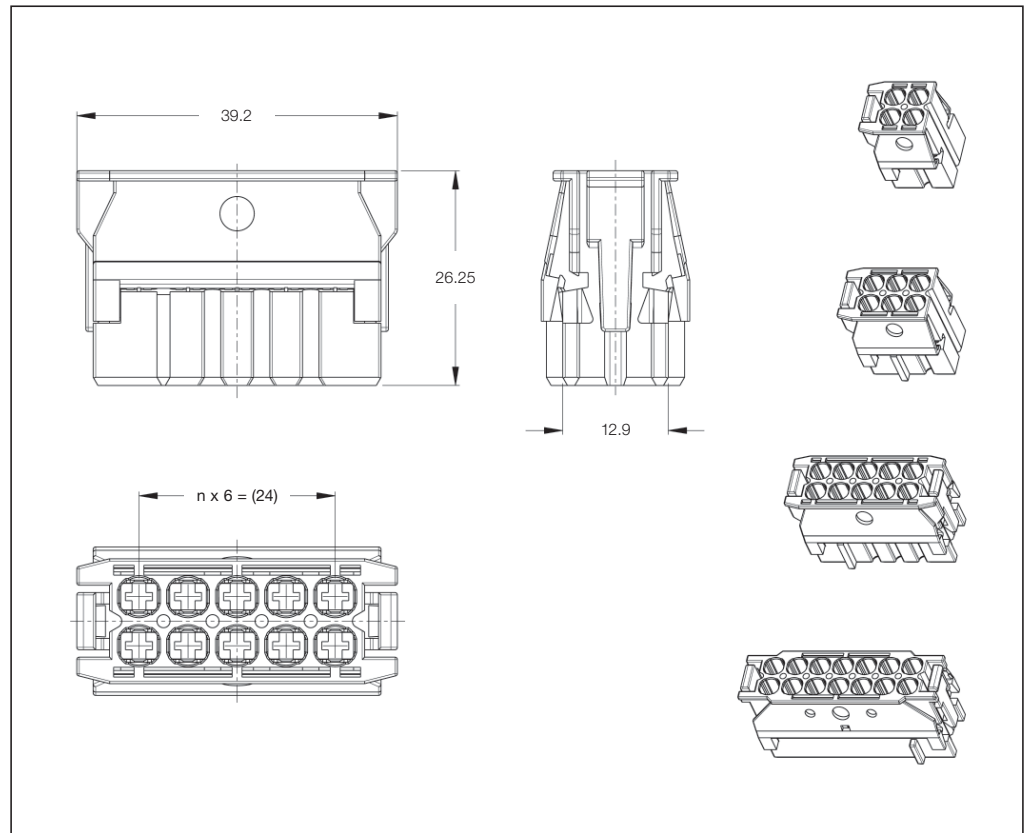
114-18754 – 14 Positions

Product Specification:

108-94219

Application Specification:

—



Receptacle Housings

| No. of Positions | Keying Options* | Housing Color* | Part Numbers | | | |
|------------------|-----------------|----------------|--------------------|------------------|--------------------|-------------------|
| | | | Receptacle Housing | Package Quantity | Mating Tab Housing | Mating PCB Header |
| 4 | A | Black | 1-1670876-1 | — | | |
| 6 | A | Black | 1-1670877-1 | — | | |
| 10 | B | Natural | 2-1670879-1 | — | | |
| | C | Blue | 3-1719844-1 | — | | |
| 14 | G | Orange | 7-1719844-1 | — | | |
| | H | Pink | 8-1719844-1 | — | | |

*) Other Colors and Codings on request.

Unsealed AMP MCP 2.8 Receptacle Housings with Secondary Locking

Technical Features

Applications:

Connection to switch

No. of Positions:

10 Positions

Housing Material:

PA 66 GF13

Material and Finish

Headers:

CuSn, tin plated

Wire Size Range:

2.5 mm² FLR Max.

Product Group Drawing:

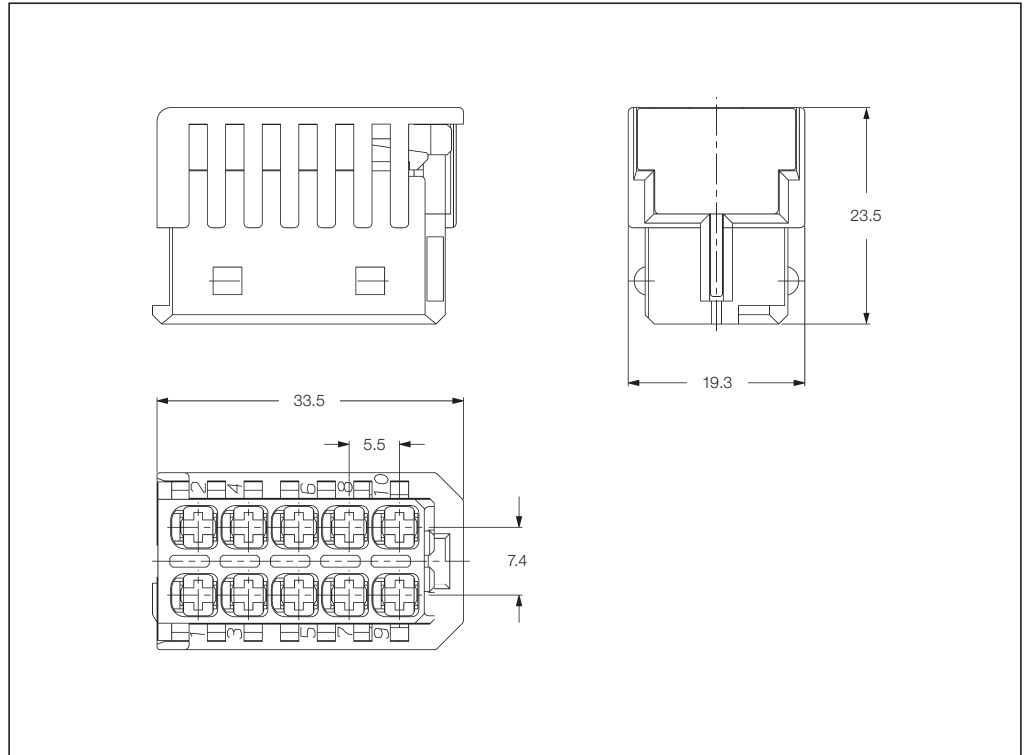
1355073 for 3–21 positions

Product Specification:

108-18619-3

Application Specification:

114-18221-3



AMP MCP 2.8 Receptacle Housings with Secondary Locking

| No. of Positions | Keying Options | Housing Color | Part Numbers | | | |
|------------------|----------------|---------------|--------------------|------------------|--------------------|-------------------------------|
| | | | Receptacle Housing | Package Quantity | Mating Tab Housing | Mating PCB Header Right-Angle |
| 10 | A | Black | 1418994-1 | – | – | – |

Unsealed AMP MCP 2.8 Receptacle Housings

Technical Features

Application:

Connection to tachograph

No. of Positions:

16 Positions (2 × 8)

Housing Material:

PA 66 GF13

Wire Size Range:

2.5 mm² FLR Max.

Extraction Tool:

Part No. **1579007-1**

Product Group Drawing:

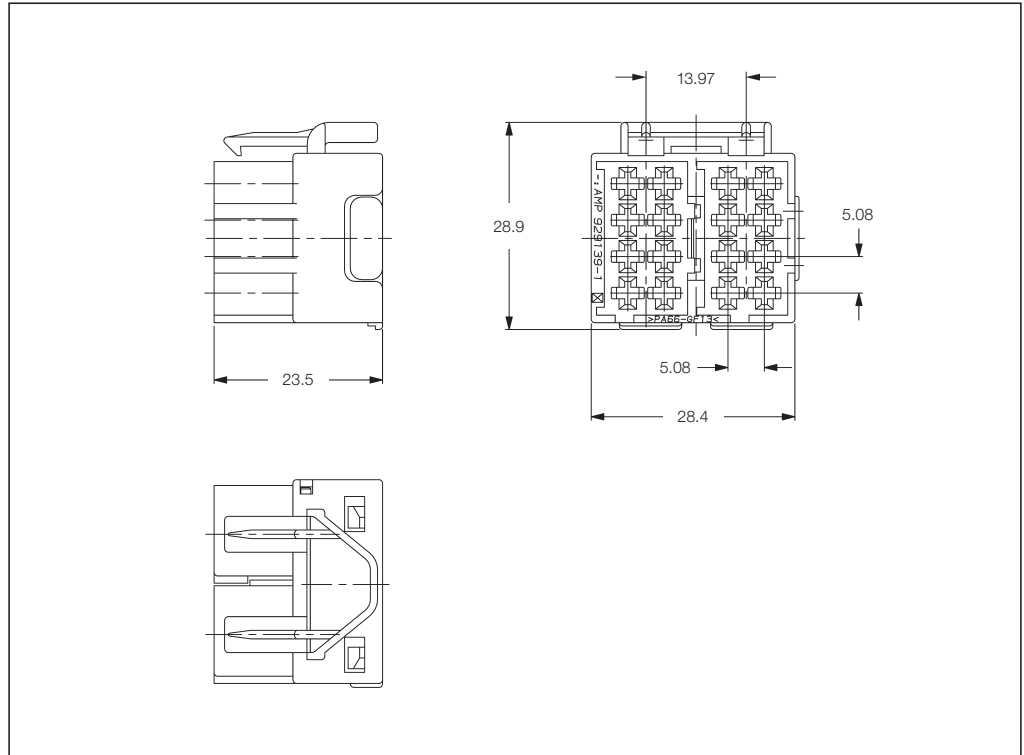
929092

Product Specification:

108-18619-3

Application Specification:

114-18221-3



AMP MCP 2.8 Receptacle Housings

| No. of Positions | Keying Options | Housing Color | Part Numbers | | | |
|------------------|----------------|---------------|--------------------|------------------|--------------------|-------------------|
| | | | Receptacle Housing | Package Quantity | Mating Tab Housing | Mating PCB Header |
| 2 × 8 | – | Black | 929092-1 | – | – | – |

Unsealed AMP MCP 6.3 Receptacle Housings with Secondary Locking

Technical Features

No. of Positions:
 4 Positions

Housing Material:
 PBT-GF10

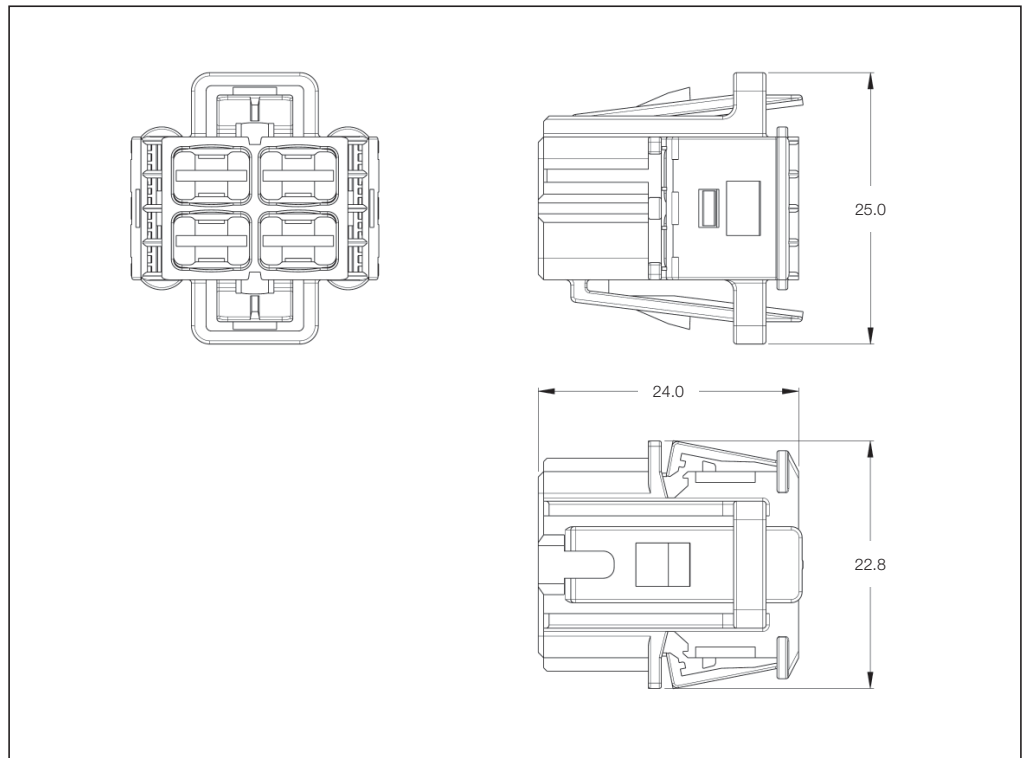
Wire Size Range:
 6.0 mm² FLR Max.

Extraction Tool:
 Part No. **1-1579007-3**

Product Group Drawing:
 1241438

Product Specification:
 —

Application Specification:
 —



AMP MCP 6.3 Receptacle Housings with Secondary Locking

| No. of Positions | Keying Options | Housing Color | Part Numbers | | | |
|------------------|----------------|---------------|--------------------|------------------|--------------------|-------------------|
| | | | Receptacle Housing | Package Quantity | Mating Tab Housing | Mating PCB Header |
| 4 | A | Black | 1534404-1 | — | — | — |
| | B | Gray | 1534404-2 | — | — | — |

Unsealed AMP MCP 9.5 Receptacle Housings with Secondary Locking

Technical Features

No. of Positions:

2 Positions

Housing Material:

PA 66 GF13

Wire Size Range:

10.0 mm² FLK Max.

Extraction Tool:

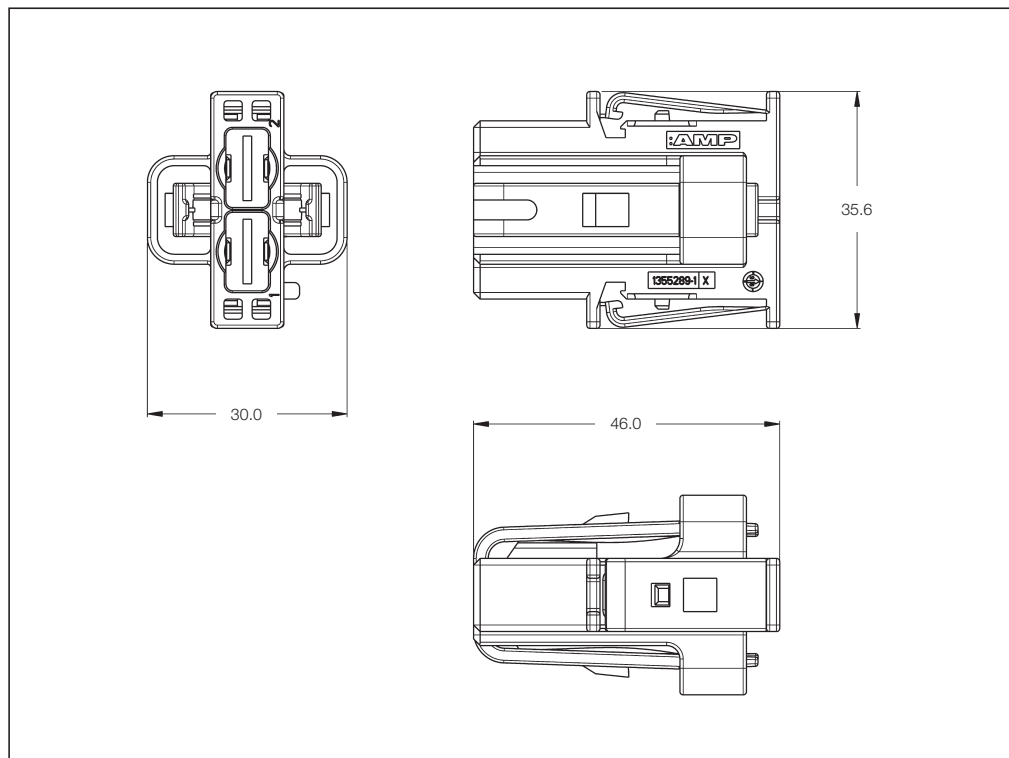
Part No. **539971-1**

Product Specification:

—

Application Specification:

—



AMP MCP 9.5 Receptacle Housings with Secondary Locking

| No. of Positions | Keying Options | Housing Color | Part Numbers | | | |
|------------------|----------------|---------------|--------------------|------------------|--------------------|-------------------|
| | | | Receptacle Housing | Package Quantity | Mating Tab Housing | Mating PCB Header |
| 2 | A | Black | 1355289-1 | — | 1355290-1 | — |
| | B | Gray | 1355289-2 | — | — | — |
| | C | Blue | 1355289-3 | — | — | — |
| | D | Yellow/Green | 1355289-4 | — | — | — |

Unsealed 1.5 mm/2.8 mm Tab Housings

Technical Features

No. of Positions:

12 Positions Assembly

Housing Material:

PA 66 GF

Wire Size Range:

4x 2.5 mm² FLR Max.
 8x 1.5 mm² FLR Max.

Extraction Tools:

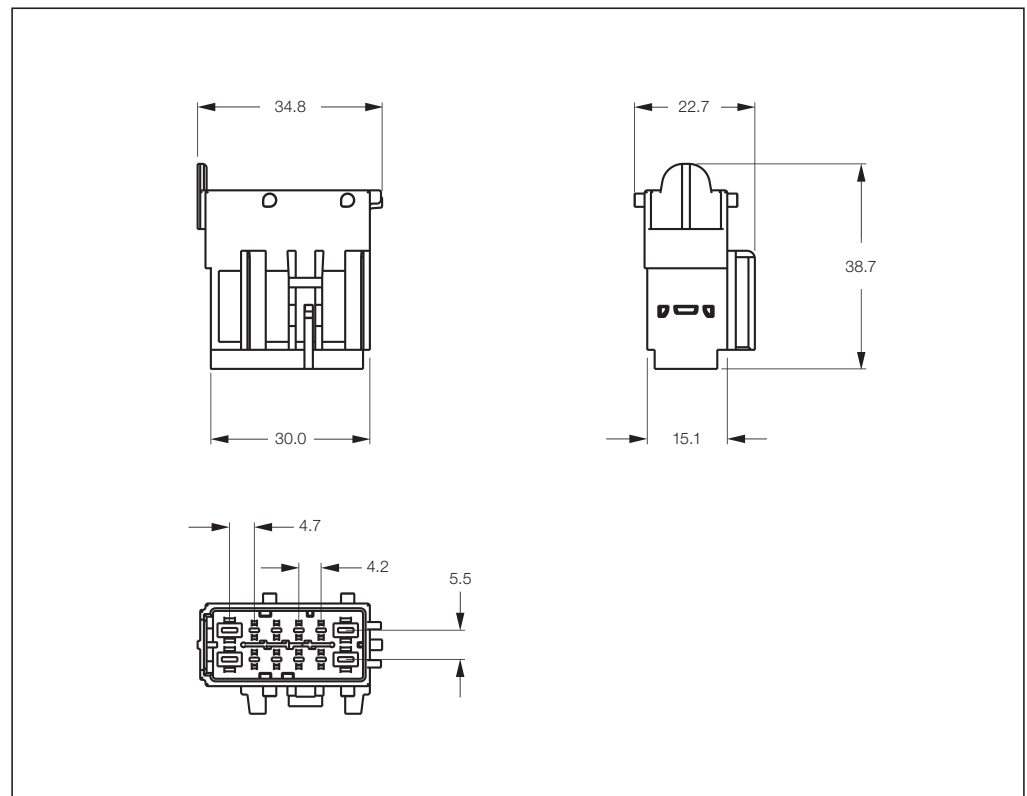
Part No. **539960-1**
 Part No. **1-1579007-6**
 dependent on the contact

Product Specification:

108-20243

Application Specification:

411-20071



Unsealed Tab Housings

| No. of Positions | Keying Options | Housing Color | Part Numbers | | | |
|------------------|-------------------------------|---------------|--------------|------------------|---------------------------|-------------------|
| | | | Tab Housing | Package Quantity | Mating Receptacle Housing | Mating PCB Header |
| 12 | A Panel Hook on Left Side | Black | 284858-1 | 900 | 284853-1 | - |
| | A Panel Hook on Right Side | Black | 284858-3 | 900 | 284853-2 | - |
| | B Panel Hook on Left Side | Gray | 284858-2 | 900 | 284853-3 | - |
| | B Panel Hook on Right Side | Gray | 284858-4 | 900 | 284853-4 | - |

Unsealed 1.5 mm/2.8 mm Tab Housings

Technical Features

No. of Positions:

20 Positions Assembly

Housing Material:

PA 66 GF

Wire Size Range:

4x 2.5 mm² FLR Max.
 16x 1.5 mm² FLR Max.

Extraction Tools:

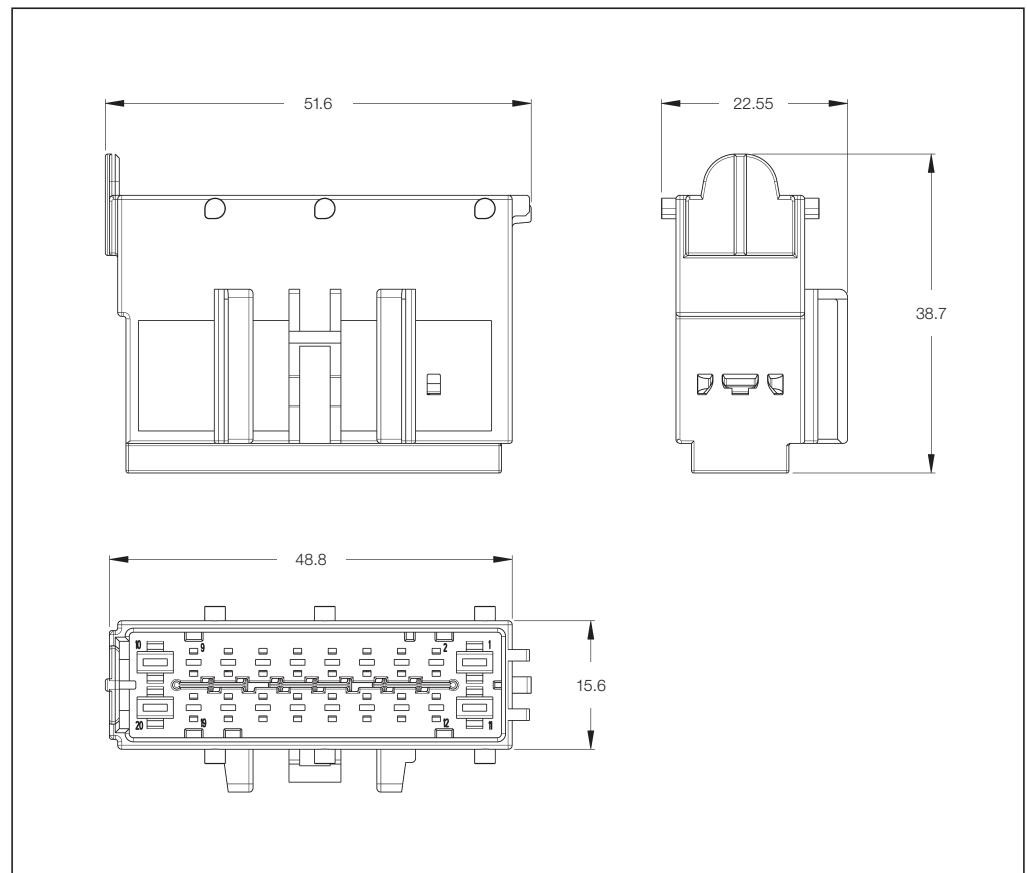
Part No. **539960-1**
 Part No. **1-1579007-6**
 dependent on the contact

Product Specification:

108-20243

Application Specification:

411-20071



Unsealed Tab Housings

| No. of Positions | Keying Options | Housing Color | Part Numbers | | | |
|------------------|-------------------------------|---------------|--------------|------------------|---------------------------|-------------------|
| | | | Tab Housing | Package Quantity | Mating Receptacle Housing | Mating PCB Header |
| 20 | A Panel Hook on Left Side | Black | 284879-1 | 450 | 284875-1 | - |
| | A Panel Hook on Right Side | Black | 284879-3 | 450 | 284875-2 | - |
| | B Panel Hook on Left Side | Gray | 284879-2 | 450 | 284875-3 | - |
| | B Panel Hook on Right Side | Gray | 284879-4 | 450 | 284875-4 | - |

Unsealed 1.5 mm and 2.8 mm Tab Housings

Technical Features

No. of Positions:

25 Positions

Housing Material:

PBT-GF10

Wire Size Range:

7x 2.5 mm² FLR Max.
 18x 1.5 mm² FLR Max.

Extraction Tools:

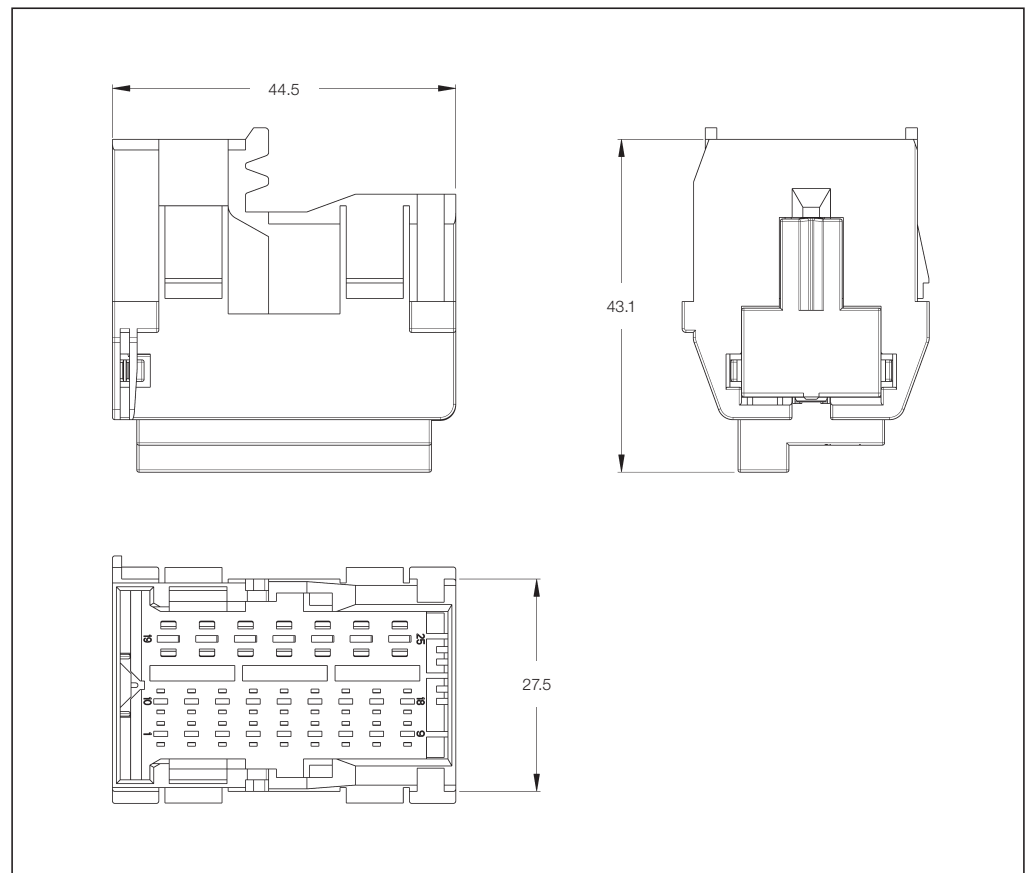
Part No. **1-1579007-1**
 Part No. **1-1579007-2**
 dependent on the contact

Product Specification:

108-18957

Application Specification:

114-18663



Unsealed Tab Housings

| No. of Positions | Keying Options | Housing Color | Part Numbers | | | |
|------------------|----------------|---------------|--------------|--------------------|-------------------|--------------------|
| | | | Tab Housing | Carrier with Lever | 7 Position Insert | 18 Position Insert |
| 25 | A | Black | 1-1718491-1 | 1-1718484-1 | 1718488-1 | 1718489-1 |
| | B | Gray | 1-1718491-2 | 1-1718484-2 | | |
| | C | Light Blue | 1-1718491-3 | 1-1718484-3 | | |
| | D | Yellow Green | 1-1718491-4 | 1-1718484-4 | | |

Unsealed 1.5 mm and 2.8 mm Tab Housings

Technical Features

No. of Positions:
 36 Positions

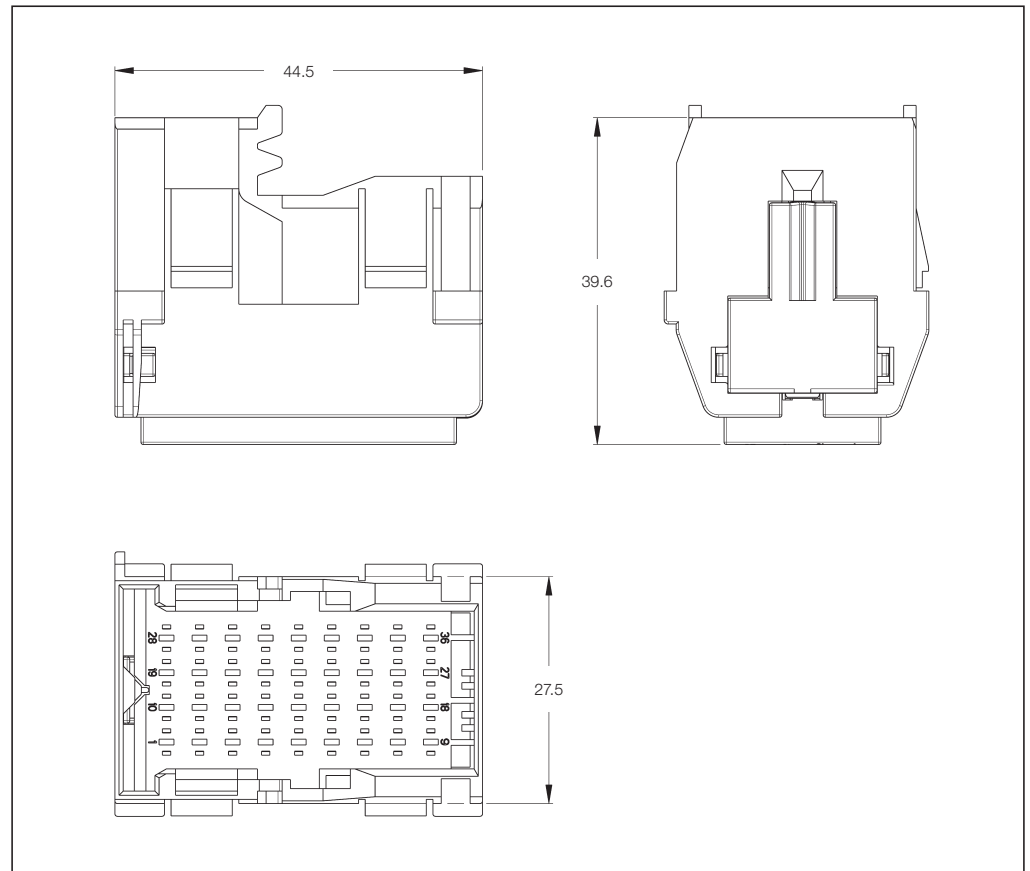
Housing Material:
 PBT-GF10

Wire Size Range:
 1.5 mm² FLR Max.

Extraction Tools:
 Part No. **1-1579007-1**
 Part No. **1-1579007-2**
 dependent on the contact

Product Specification:
 108-18957

Application Specification:
 114-18663



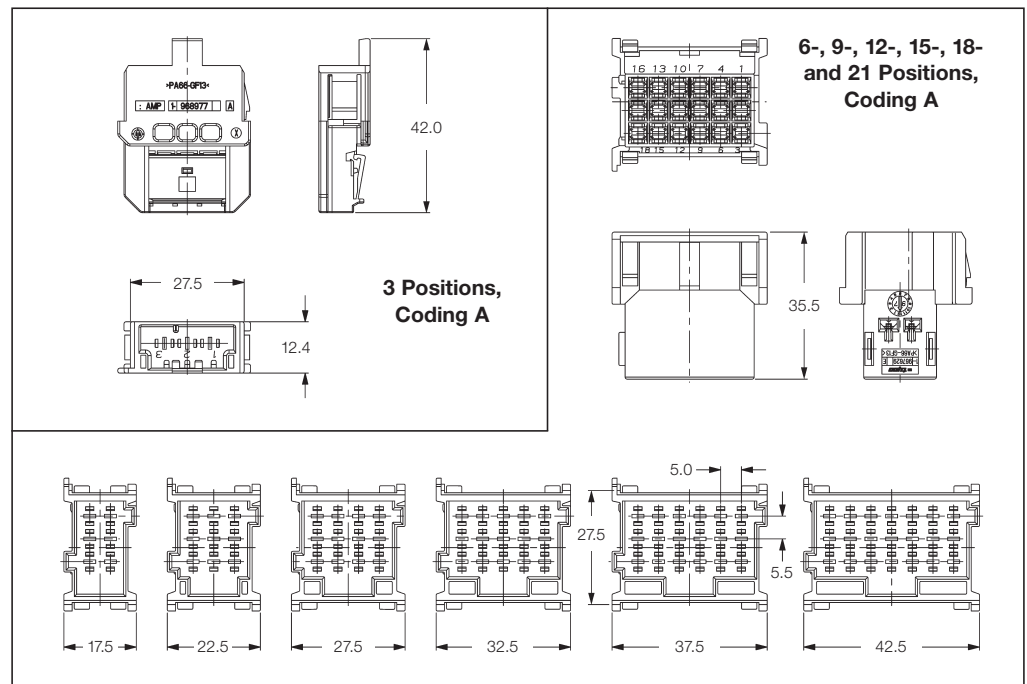
Unsealed Tab Housings

| No. of Positions | Keying Options | Housing Color | Part Numbers | | | | |
|------------------|----------------|---------------|--------------|--------------------|---------------------|---------------------|--------------------|
| | | | Tab Housing | Carrier with Lever | Mating | | |
| | | | | | 9 Pos. Insert Key A | 9 Pos. Insert Key B | 18 Position Insert |
| 36 | A | Brown | 1-1718492-1 | 1-1718484-1 | 1718490-1 | 1718490-2 | 1718489-1 |
| | B | Purple | 1-1718492-2 | 1-1718484-2 | | | |
| | C | Emerald Green | 1-1718492-3 | 1-1718484-3 | | | |
| | D | Water Blue | 1-1718492-4 | 1-1718484-4 | | | |

Unsealed 2.8 mm Tab Housings with Optional Secondary Locking

Technical Features

- No. of Positions:**
3–21 Positions
- Housing Material:**
PA 66 GF13
- Locking Device:**
PBT ASA-GF30
- Wire Size Range:**
2.5 mm² FLR Max.
- Product Group Drawing:**
1355072 for 6–21 positions
- Product Specification:**
108-18619-3
- Application Specification:**
114-18051



Unsealed 2.8 mm Tab Housings with Optional Secondary Locking

| No. of Positions | Keying Options | Housing Color | Part Numbers | | | | |
|------------------|----------------|---------------|--------------|------------------|--------------------------|------------------|---------------------------|
| | | | Tab Housing | Package Quantity | Secondary Locking Device | Package Quantity | Mating Receptacle Housing |
| 3 | | Black | 1-968977-9 | – | | | 1-968976-9 |
| 6 | | Blue | 1-965641-1 * | – | | | 8-968970-1 |
| 9 | | Yellow | 1-967626-1 * | – | | | 8-968971-1 |
| 12 | A | Green | 1-967627-1 * | – | 6 Position | | 8-968972-1 |
| 15 | | Violet | 1-967628-1 * | – | Blue: | – | 8-968973-1 |
| 18 | | Gray | 1-967629-1 * | – | 968271-1 | | 8-968974-1 |
| 21 | | Brown | 1-967630-1 * | – | | | 8-968975-1 |
| 3 | | Gray | 2-968977-9 | – | 9 Position | | 2-968976-9 |
| 6 | | Natural | 2-965641-1 | – | Yellow: | – | 7-968970-1 |
| 9 | | Natural | 2-967626-1 | – | 967631-1 | | 7-968971-1 |
| 12 | B | Natural | 2-967627-1 | – | 12 Position | | 7-968972-1 |
| 15 | | Natural | 2-967628-1 | – | Green: | – | 7-968973-1 |
| 18 | | Natural | – | – | 967632-1 | | 7-968974-1 |
| 21 | | Natural | 2-967630-1 | – | | | 7-968975-1 |
| 3 | | Blue | 3-968977-9 | – | 15 Position | | 3-968976-9 |
| 6 | | Blue | 3-965641-1 | – | Violet: | – | 6-968970-1 |
| 9 | | Blue | 3-967626-1 | – | 967633-1 | | 6-968971-1 |
| 12 | C | Blue | 3-967627-1 | – | 18 Position | | 6-968972-1 |
| 15 | | Blue | 3-967628-1 | – | Gray: | – | 6-968973-1 |
| 18 | | Blue | – | – | 967634-1 | | 6-968974-1 |
| 21 | | Blue | 3-967630-1 | – | | | 6-968975-1 |
| 6 | | Violet | 4-965641-1 | – | 21 Position | | 5-968970-1 |
| 9 | | Violet | 4-967626-1 | – | Brown: | – | 5-968971-1 |
| 12 | | Violet | 4-967627-1 | – | 967635-1 | | 5-968972-1 |
| 15 | D | Violet | 4-967628-1 | – | | | 5-968973-1 |
| 18 | | Violet | – | – | | | 5-968974-1 |

*) Other colors available. See Product Group Drawing 1355072.

Unsealed 2.8 mm Tab Housings for Potential Distribution for Wall or Panel Mounting

Technical Features

No. of Positions:

21 Pos. on One Electrical Level
 2 x 9 Pos. on Two Electrical Level

Housing Material:

PBT-GF10

Material and Finish:

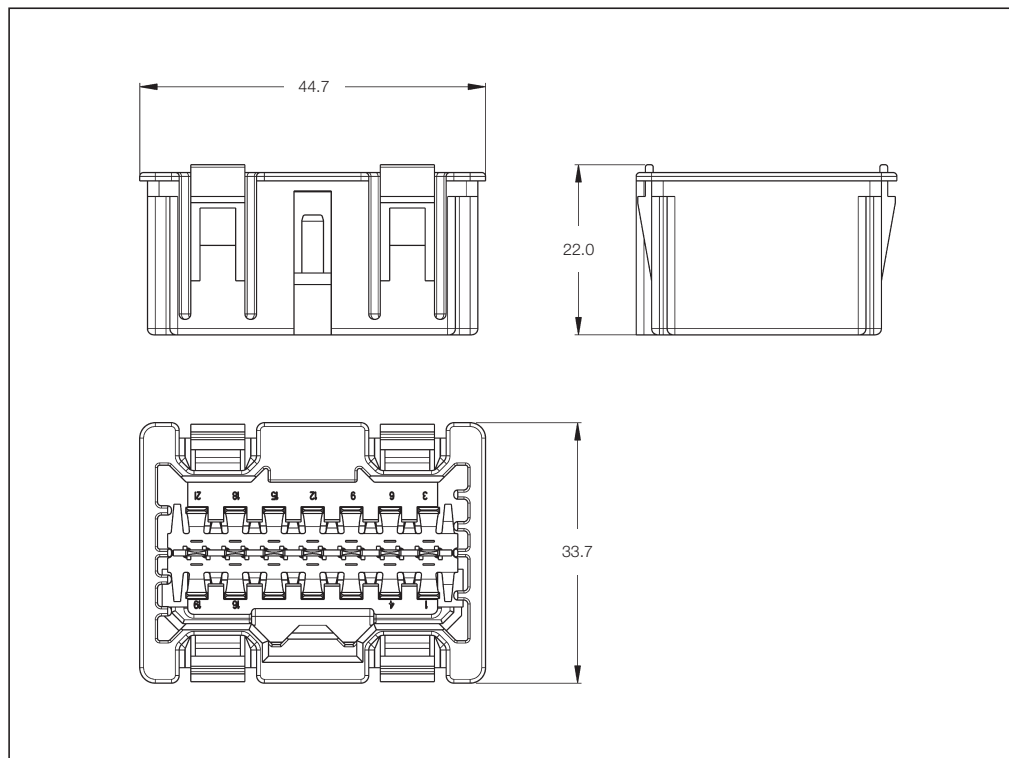
CuSn4, tin plated

Product Specification:

108-18879

Application Specification:

—



Unsealed 2.8 mm Tab Housings for Potential Distribution for Wall or Panel Mounting

| No. of Positions | Keying Options | Housing Color | Part Numbers | | | |
|------------------|----------------|---------------|--------------|------------------|---------------------------|-------------------|
| | | | Tab Housing | Package Quantity | Mating Receptacle Housing | Mating PCB Header |
| 21 | A | Brown | 1-1394765-1 | — | 8-968975-1 | — |
| | B | Natural | 2-1394765-1 | — | 7-968975-1 | — |
| 2 x 9 | B | Natural | 2-1394766-1 | — | 7-968975-1 | — |
| | C | Blue | 3-1394766-1 | — | 6-968975-1 | — |
| 2 x 9 120 Ω | C | Blue | 3-1394766-2 | — | 6-968975-1 | — |

Unsealed 2.8 mm Tab Housings for Potential Distribution for Wall or Panel Mounting

Technical Features

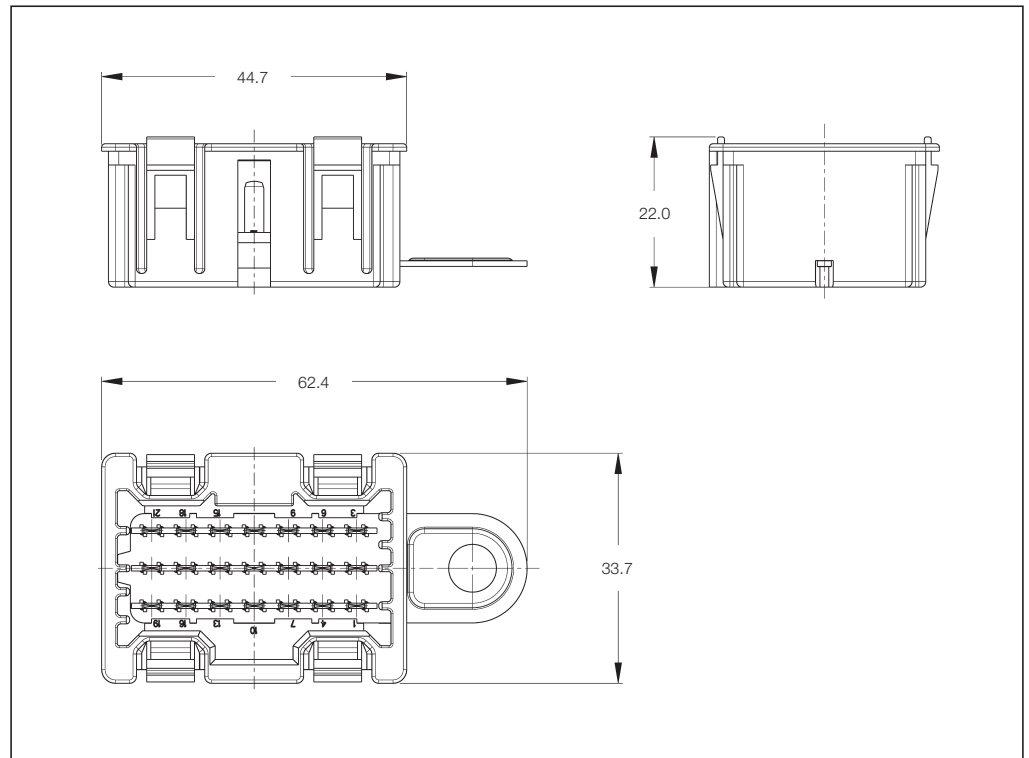
No. of Positions:
 21 Pos. on One Electrical Level

Housing Material:
 PBT-GF10

Material and Finish:
 CuSn4, tin plated

Product Specification:
 108-18879

Application Specification:
 —



Unsealed 2.8 mm Tab Housings for Potential Distribution for Wall or Panel Mounting

| No. of Positions | Keying Options | Housing Color | Part Numbers | | | |
|------------------|----------------|---------------|--------------|------------------|---------------------------|-------------------|
| | | | Tab Housing | Package Quantity | Mating Receptacle Housing | Mating PCB Header |
| 21 | A | Brown | 1534188-1 | — | 8-968975-1 | — |

Unsealed 9.5 mm Tab Housings with Secondary Locking

Technical Features

No. of Positions:

2 Positions

Housing Material:

PA 66 GF13

Wire Size Range:

10.0 mm² FLK Max.

Extraction Tool:

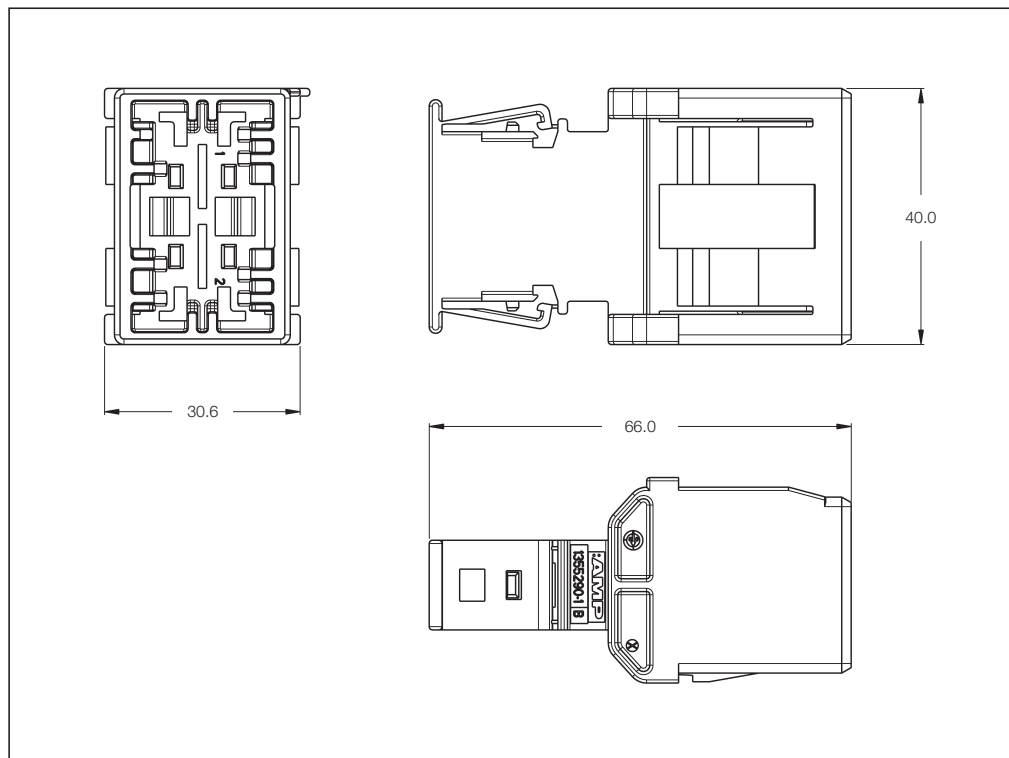
Part No. **1-1579007-7**

Product Specification:

—

Application Specification:

—



Unsealed 9.5 mm Tab Housings with Secondary Locking

| No. of Positions | Keying Options | Housing Color | Part Numbers | | | |
|------------------|----------------|---------------|--------------|------------------|---------------------------|-------------------|
| | | | Tab Housing | Package Quantity | Mating Receptacle Housing | Mating PCB Header |
| 2 | A | Black | 1355290-1 | — | 1355289-1 | — |
| | B | Gray | *) | — | 1355289-2 | — |
| | C | Blue | *) | — | 1355289-3 | — |
| | D | Yellow/Green | *) | — | 1355289-4 | — |

*) On request.

Unsealed 1.5 mm Housings – Printed Circuit Board Headers

Technical Features

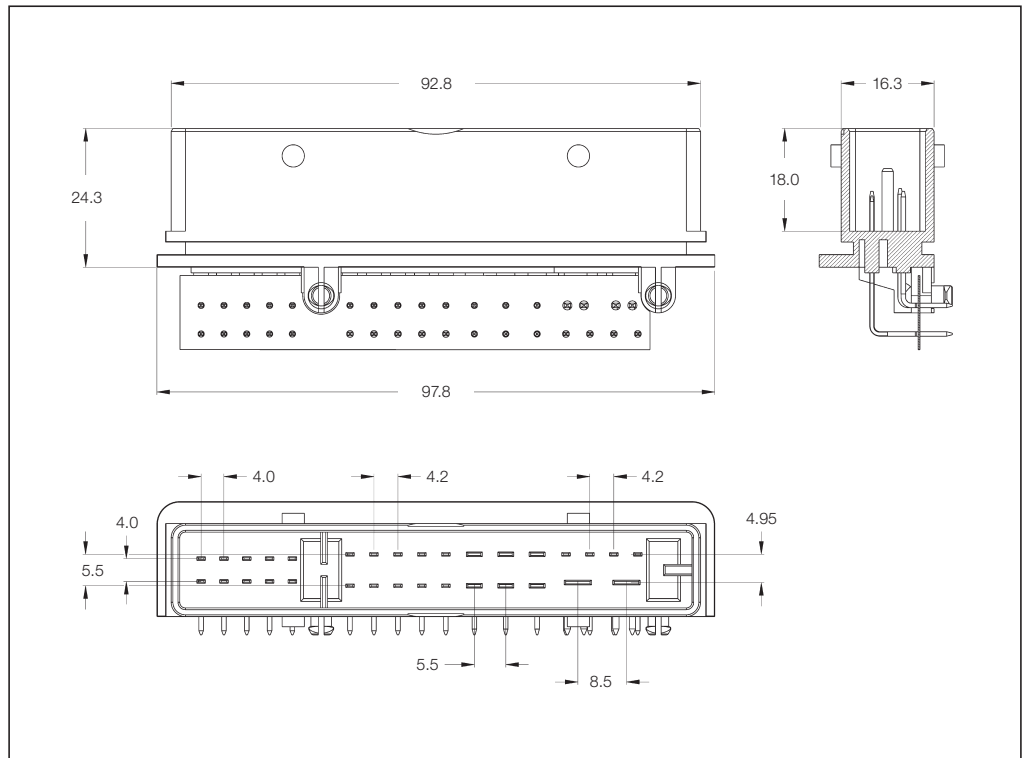
No. of Positions:
 32 Positions

Housing Material:
 PBT-GF20

Material and Finish:
 CuSn4, tin plated

Product Specification:
 108-18950

Application Specification:
 114-18619-001



32 Positions Printed Circuit Board Headers

| No. of Positions | Keying Options | Housing Color | Part Numbers | |
|------------------|----------------|---------------|------------------------|---------------------------|
| | | | PCB Header Right-Angle | Mating Receptacle Housing |
| 32 | A | Black | 1534046-1 | 1534180 |
| | | | | 1534181 |
| | | | | 1534399 |

Unsealed 1.5 mm Housings – Printed Circuit Board Headers

Technical Features

No. of Positions:

36 Positions

Housing Material:

PBT-GF20

Material and Finish:

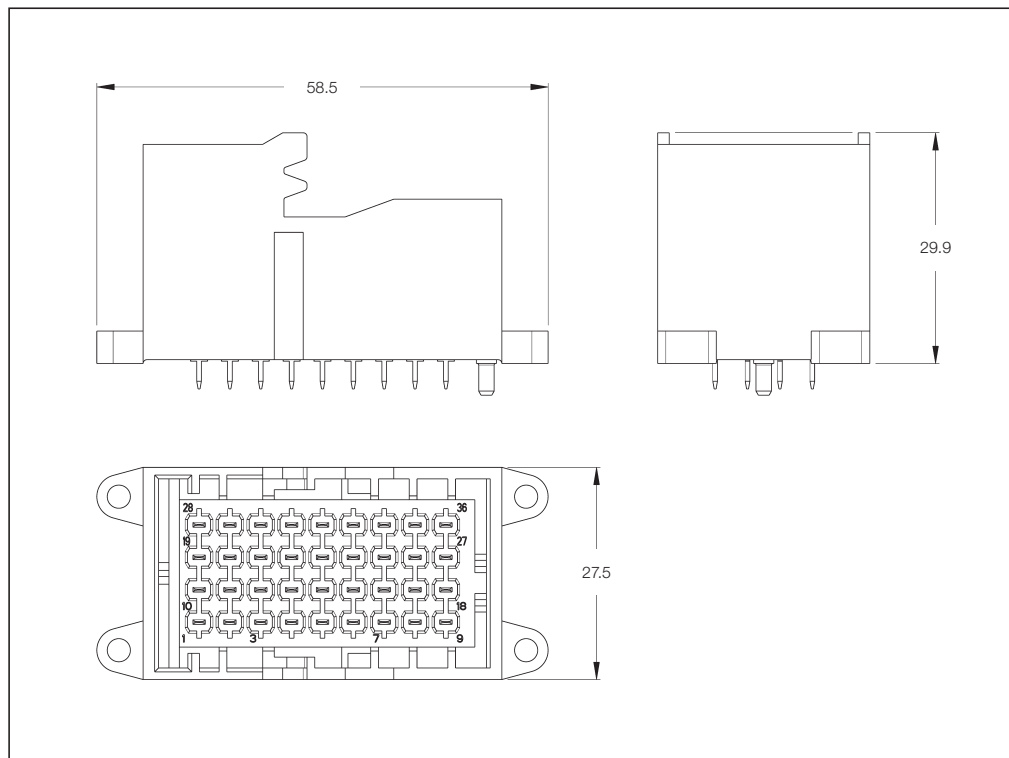
CuSn, tin plated

Product Specification:

108-18957

Application Specification:

—



Unsealed 1.5 mm Housings – Printed Circuit Board Headers

| No. of Positions | Housing Color | Part Numbers | | |
|------------------|---------------|---------------------|------------------|---------------------------|
| | | Vertical PCB Header | Package Quantity | Mating Receptacle Housing |
| 36 | Brown | 1-1670615-1 | — | 1-1718485-1 |
| | | | | + 1718489-1 |
| | | | | + 1718490-1 |
| | | | | + 1718490-2 |

Unsealed 1.5 mm Housings – Printed Circuit Board Headers

Technical Features

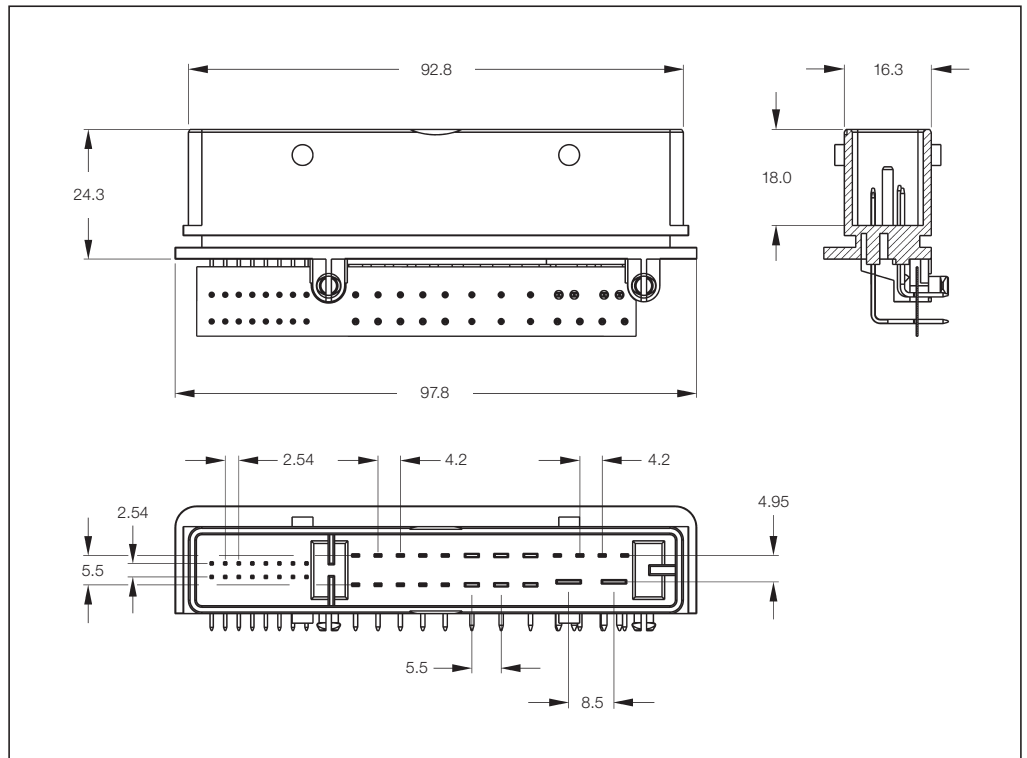
No. of Positions:
 38 Positions

Housing Material:
 PBT-GF20

Material and Finish:
 CuSn4, tin plated
 CuFe4, tin plated

Product Specification:
 —

Application Specification:
 —



38 Positions Printed Circuit Board Headers

| No. of Positions | Keying Options | Housing Color | Part Numbers | |
|------------------|----------------|---------------|------------------------|---------------------------|
| | | | PCB Header Right-Angle | Mating Receptacle Housing |
| 38 | A | Black | 1534531-1 | 1534180 |
| | | | | 1534579 |
| | | | | 1534399 |

Unsealed Mixed 1.5 mm/2.8 mm Housings – Printed Circuit Board Headers

Technical Features

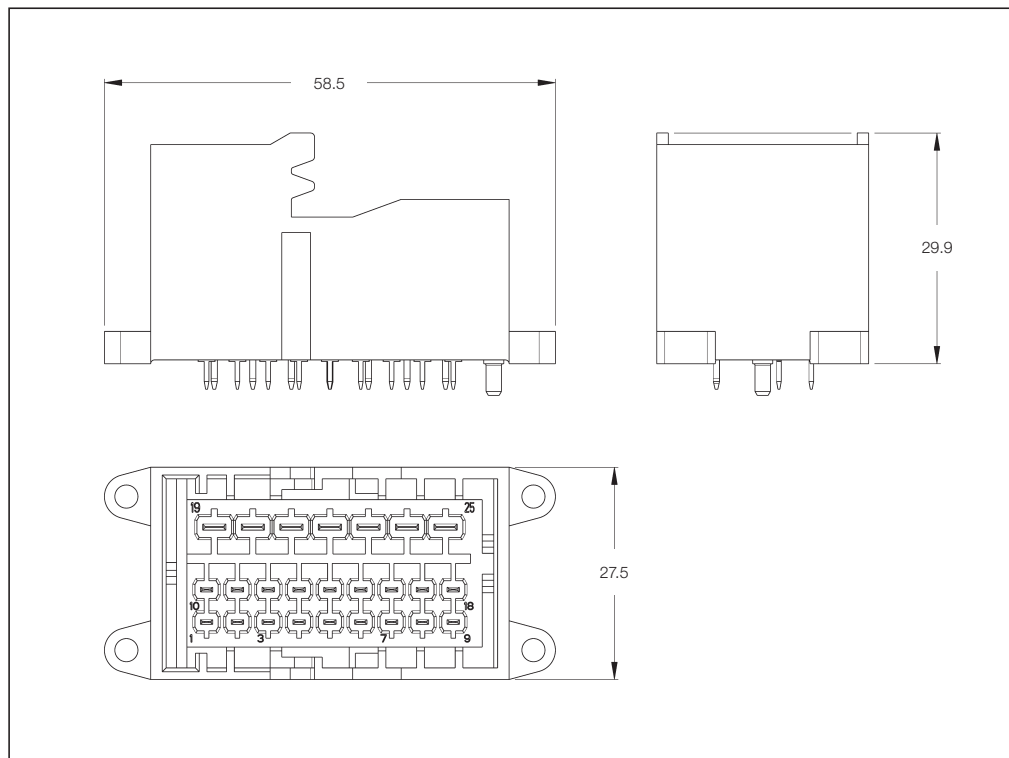
No. of Positions:
 25 Positions

Housing Material:
 PBT-GF20

Material and Finish:
 CuSn, tin plated

Product Specification:
 108-18957

Application Specification:
 —



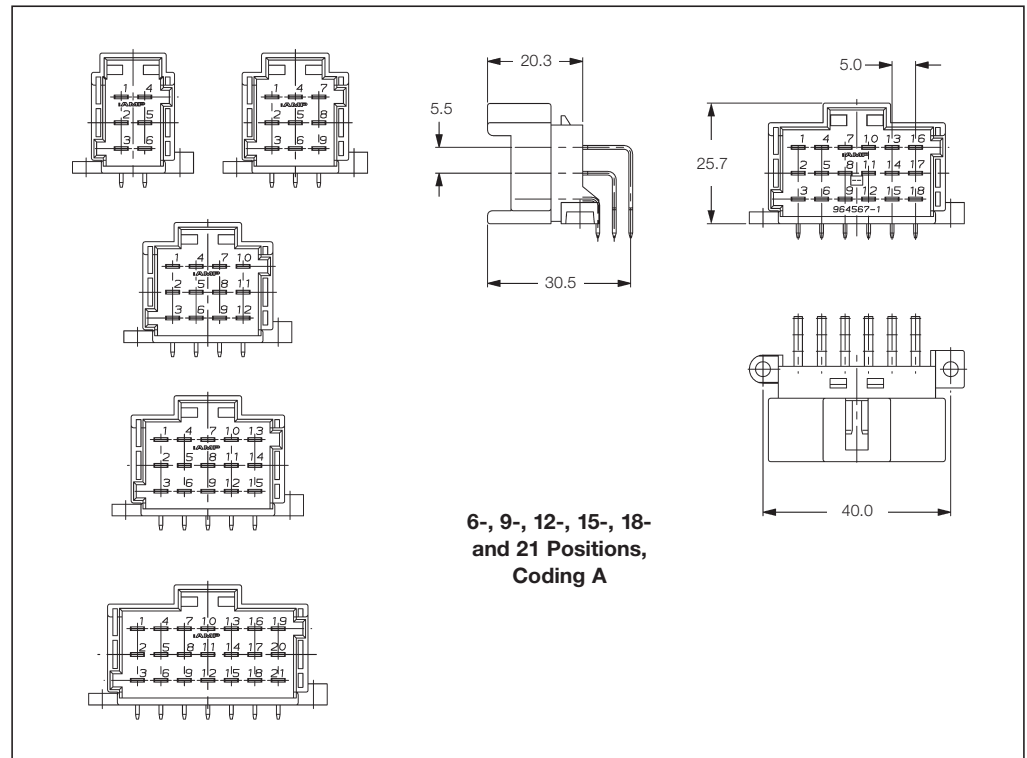
Unsealed Mixed Housings – Printed Circuit Board Headers

| No. of Positions | Housing Color | Part Numbers | | |
|------------------|---------------|---------------------|------------------|---------------------------|
| | | Vertical PCB Header | Package Quantity | Mating Receptacle Housing |
| 25 | Black | 1-1670615-2 | - | 1-1718485-1 |
| | | | | + 1718488-1 |
| | | | | + 1718489-1 |

Unsealed 2.8 mm Housings – Vertical PC Board Headers

Technical Features

- No. of Positions:**
6–21 Positions
- Housing Material:**
PA 66 GF13
- Material and Finish Headers:**
CuSn4, tin plated
(silver plated on request)
- Wire Size Range:**
2.5 mm² FLR Max.
- Product Group Drawing:**
966140
- Product Specification:**
108-18619-3
- Application Specification:**
114-18051



Unsealed 2.8 mm Housings – PC Board Headers

| No. of Positions | Housing Color* | Part Numbers | | |
|------------------|----------------|--|------------------|---------------------------|
| | | Mating Right-Angle PCB Header | Package Quantity | Mating Receptacle Housing |
| | | | | 8-968970-1 |
| | | Packed in plastic anti-static tray and corrugated box | | 8-968971-1 |
| | | | | 8-968972-1 |
| | | | | 8-968973-1 |
| | | | | 8-968974-1 |
| 6 | | 966140-5 | | 8-968975-1 |
| 9 | | 966140-4 | | 7-968970-1 |
| 12 | Black | 966140-3** | - | 7-968971-1 |
| 15 | | 966140-2 | | 7-968972-1 |
| 18 | | 966140-1 | | 7-968973-1 |
| 21 | | 966140-6** | | 7-968974-1 |
| | | | | 7-968975-1 |
| | | Packed in non anti-static tray and corrugated box | | 6-968970-1 |
| | | | | 6-968971-1 |
| | | | | 6-968972-1 |
| | | | | 6-968973-1 |
| 6 | | 9-966140-5 | | 6-968974-1 |
| 9 | | 9-966140-4 | | 6-968975-1 |
| 12 | Black | 9-966140-3** | - | 5-968970-1 |
| 15 | | 9-966140-2 | | 5-968971-1 |
| 18 | | 9-966140-1 | | 5-968972-1 |
| 21 | | 9-966140-6** | | 5-968973-1 |

*) Silver plated on request.
 **) Other codings available. See Product Group Drawing 966140.

Unsealed 2.8 mm Housings – Printed Circuit Board Headers

Technical Features

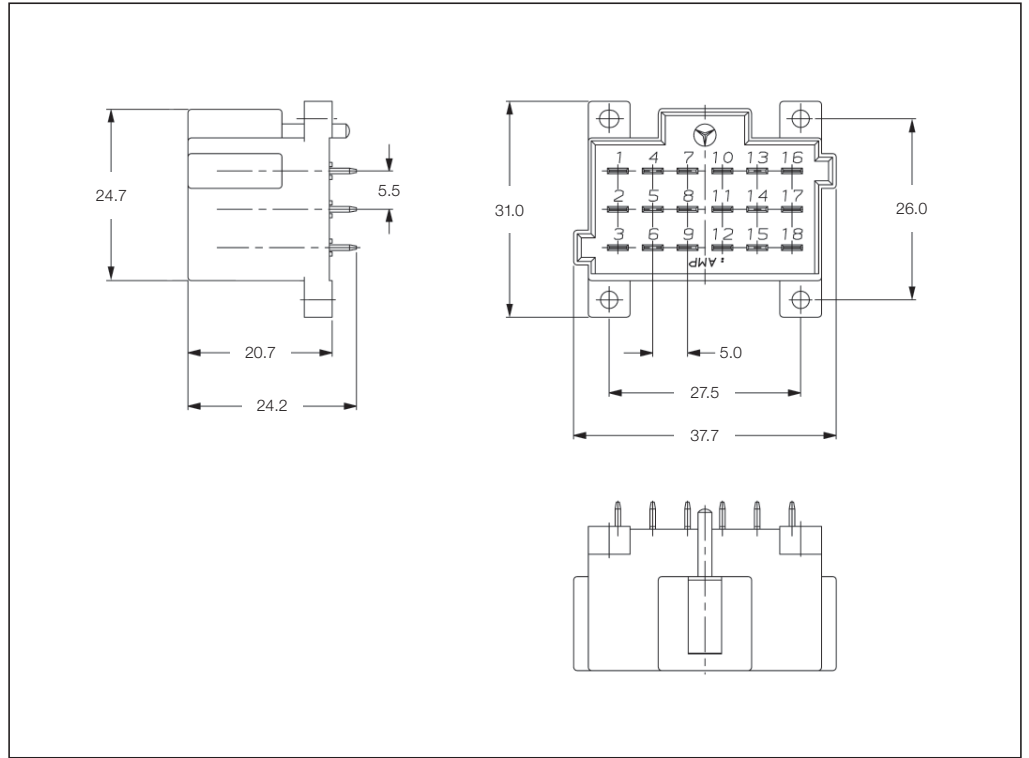
No. of Positions:
 18 Positions

Housing Material:
 PA 66 GF13

Material and Finish:
 Part No. **967116-1**
 CuSn, tin plated
 Part No. **967116-2**
 Mating Area: Silver plated
 Solder Area: Tin plated

Product Specification:
 108-18619-3

Application Specification:
 —



Unsealed 2.8 mm Housings – Printed Circuit Board Headers

| No. of Positions | Housing Color | Part Numbers | | |
|------------------|---------------|---------------------|------------------|---------------------------|
| | | Vertical PCB Header | Package Quantity | Mating Receptacle Housing |
| 18 | Black | 967116-1 | — | — |
| | | 967116-2 | | |

Sealed AMP MCP 2.8 Receptacle Housings

Technical Features

No. of Positions:
 2 Positions

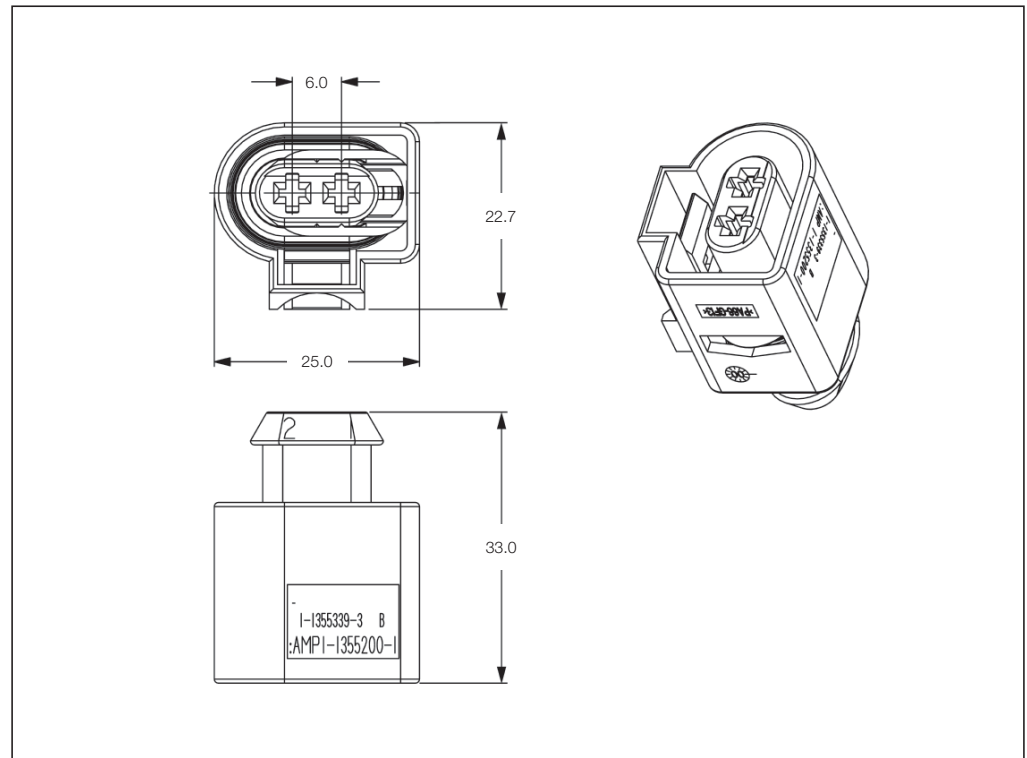
Housing Material:
 PA 66 GF13

Wire Size Range:
 2.5 mm² FLR Max.

Extraction Tool:
 Part No. **1579007-1**
 dependent on the contact

Product Specification:
 108-18699-1 (Rec. Housing)

Application Specification:
 114-18148-1 (Rec. Housing)



Sealed Receptacle Housings

| No. of Positions | Keying Options | Housing Color | Part Numbers | | | |
|------------------|----------------|---------------|--------------------|------------------|--------------------|-------------------|
| | | | Receptacle Housing | Package Quantity | Mating Tab Housing | Mating PCB Header |
| 2 | A | Black | 1-1355200-1 | – | 1-966867-1 | – |
| | B | Natural | 2-1355200-1 | – | 1-966867-2 | – |
| | | Black | 2-1355200-2 | – | 1-966867-2 | – |

Sealed Receptacle Housings for AMP MCP 2.8 mm and Sensor Flat Contacts

Technical Features

No. of Positions:

2 Positions

Housing Material:

PA 66 GF13

Wire Size Range:

2.5 mm² FLR Max.

Extraction Tool:

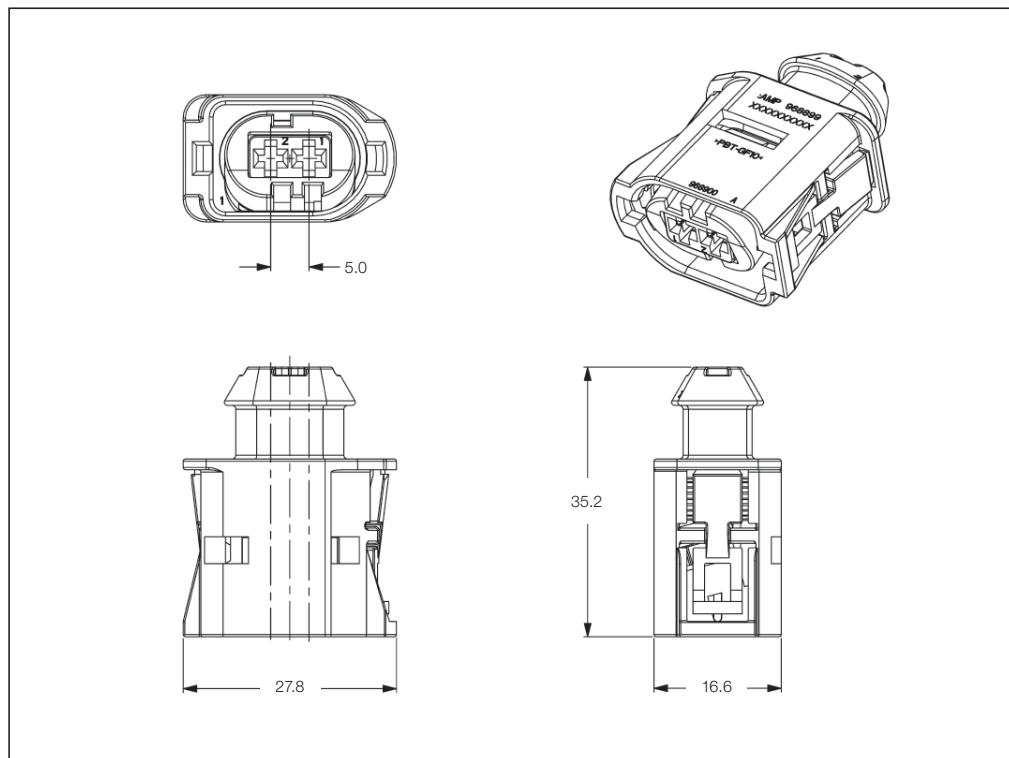
Part No. **1-1579007-2**

Product Specification:

108-18519

Application Specification:

—



Sealed Receptacle Housings for AMP MCP 2.8 and Sensor Flat Contacts

| No. of Positions | Keying Options | Housing Color | Part Numbers | | | |
|------------------|----------------|---------------|--------------------|------------------|--------------------|-------------------|
| | | | Receptacle Housing | Package Quantity | Mating Tab Housing | Mating PCB Header |
| 2 | A | Black | 968899-1 | — | — | — |
| | B | Gray | 968899-2 | — | — | — |
| | C | Natural | 968899-3 | — | — | — |
| | Z | Blue | 968899-4 | — | — | — |

Sealed Receptacle Housings for AMP MCP 2.8 Contacts

Technical Features

No. of Positions:
 2, 3, 4 and 5 Positions

Housing Material:
 PA 66 GF30

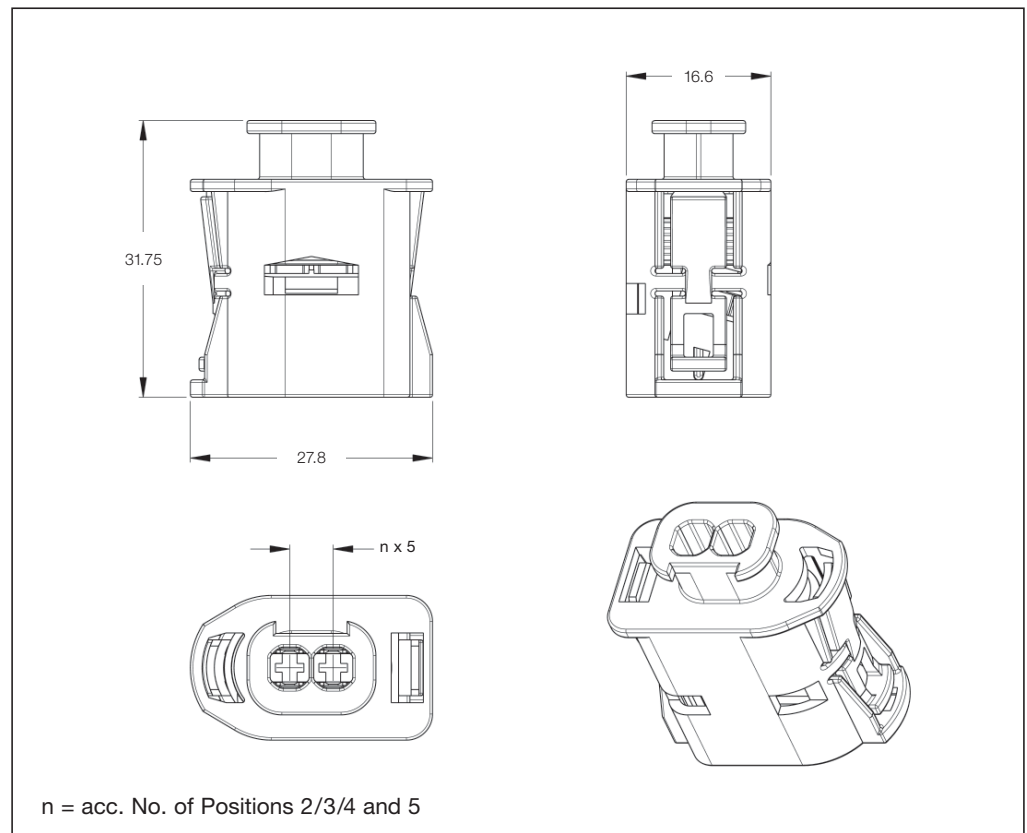
Wire Size Range:
 2.5 mm² FLR Max.

Extraction Tool:
 Part No. **929039-1**

Interface Drawing:
 114-18251-011

Product Specification:
 108-18981

Application Specification:
 —



Sealed Receptacle Housings

| No. of Positions | Keying Options* | Housing Color* | Part Numbers | | | |
|------------------|-----------------|----------------|--------------------|------------------|--------------------|-------------------|
| | | | Receptacle Housing | Package Quantity | Mating Tab Housing | Mating PCB Header |
| 2 | A | Black | 1-1718626-1 | — | | |
| 3 | A | Black | 1-1718627-1 | — | | |
| 4 | A | Black | 1-1718628-1 | — | — | — |
| 5 | A | Black | 1-1718629-1 | — | | |

*) Other Colors and Codings on request.

Sealed AMP MCP 9.5 Receptacle Housings

Technical Features

No. of Positions:
 2 Positions

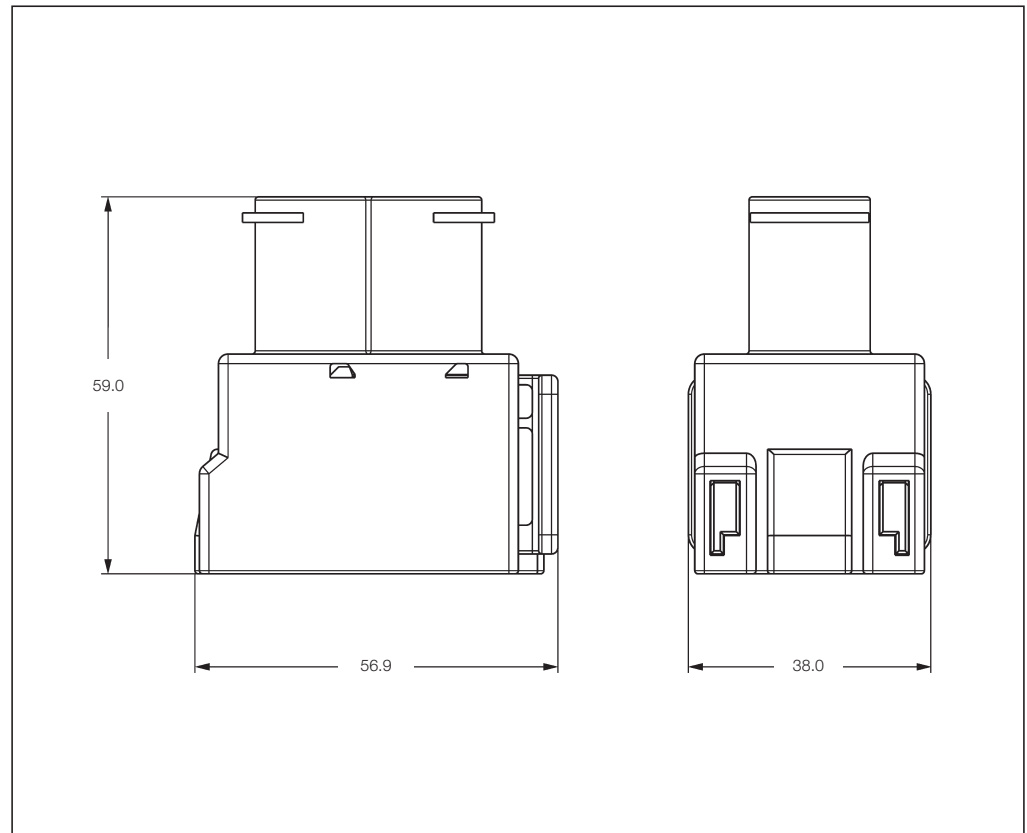
Housing Material:
 PA 66 GF13

Wire Size Range:
 16.0 mm² FLK Max.

Extraction Tool:
 Part No. **539971-1**

Product Specification:
 108-18809

Application Specification:
 114-18501



Sealed Receptacle Housings

| No. of Positions | Keying Options | Housing Color | Part Numbers | | | |
|------------------|----------------|---------------|--------------------|------------------|--|-------------------|
| | | | Receptacle Housing | Package Quantity | Mating Tab Housing | Mating PCB Header |
| 2 | – | Black | 1355328-1 | – | 1394026-2 1394026-1 (with Sealing for Wall Mounting) | – |

Sealed Receptacle Housings for AMP MCP 2.8 and Sensor Flat Contacts

Technical Features

No. of Positions:

3 Positions

Housing Material:

PA 66 GF13

Wire Size Range:

2.5 mm² FLR Max.

Extraction Tool:

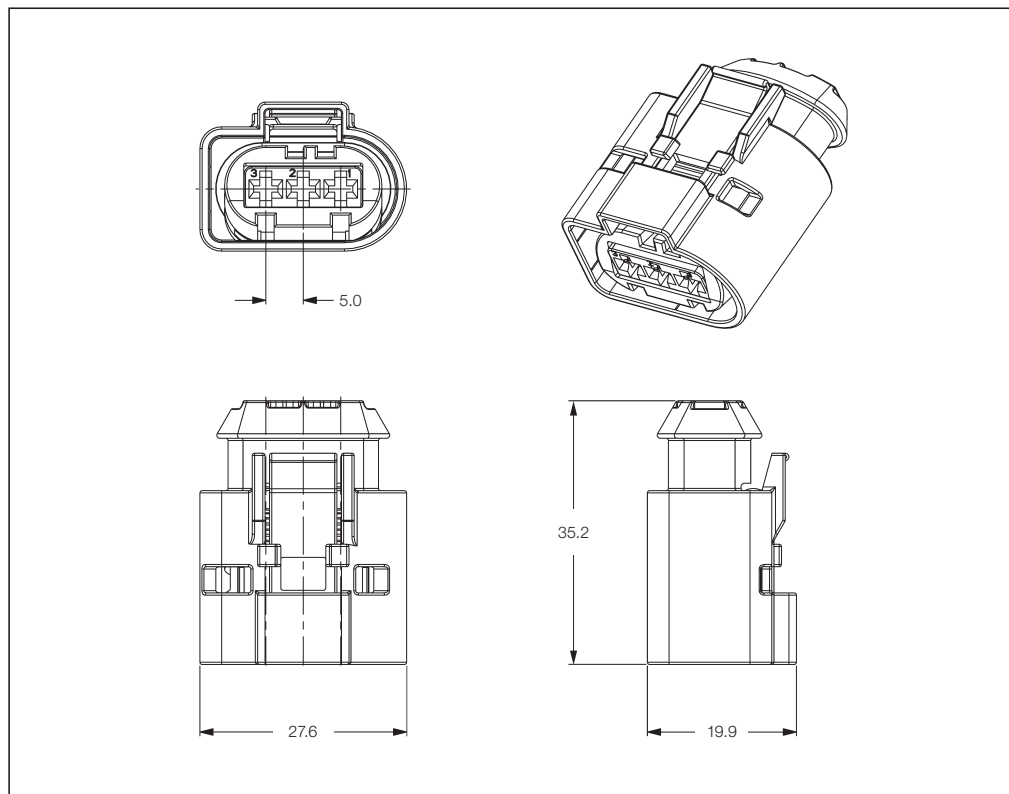
Part No. **1-1579007-2**

Product Specification:

108-18519

Application Specification:

—



Sealed Receptacle Housings for AMP MCP 2.8 and Sensor Flat Contacts

| No. of Positions | Keying Options | Housing Color | Part Numbers | | | |
|------------------|----------------|---------------|--------------------|------------------|--------------------|-------------------|
| | | | Receptacle Housing | Package Quantity | Mating Tab Housing | Mating PCB Header |
| 3 | A | Black | 968925-1 | — | — | — |
| | B | Gray | 968925-2 | — | — | — |
| | C | Natural | 968925-3 | — | — | — |
| | Z | Blue | 968925-4 | — | — | — |

Sealed AMP MCP 2.8 Receptacle Housings

Technical Features

No. of Positions:

4–6 Positions

Housing Material:

PBT-GF

Wire Size Range:

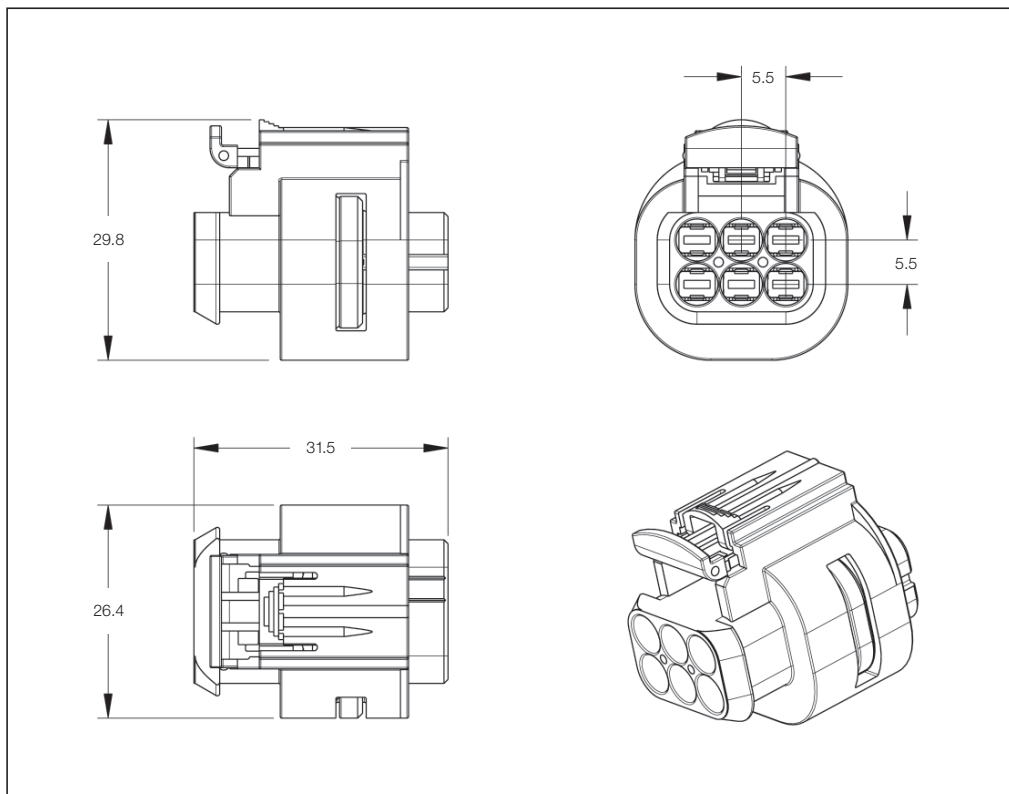
2.5 mm² FLR Max.

Product Specification:

108-20274

Application Specification:

—



Sealed Receptacle Housings

| No. of Positions | Keying Options | Housing Color | Part Numbers | | | | |
|------------------|----------------|---------------|--------------------|------------------|-------|--------------------|-------------------|
| | | | Receptacle Housing | Package Quantity | Cover | Mating Tab Housing | Mating PCB Header |
| 6 | A | Gray | 1745078-1 | 400 | – | – | – |
| 4 | A | Black | 1745078-2 | 400 | – | – | – |

Sealed AMP MCP 2.8 Receptacle Housings

Technical Features

No. of Positions:

9 Positions

Housing Material:

PBT-GF

Wire Size Range:

2.5 mm² FLR Max.

Product Specification:

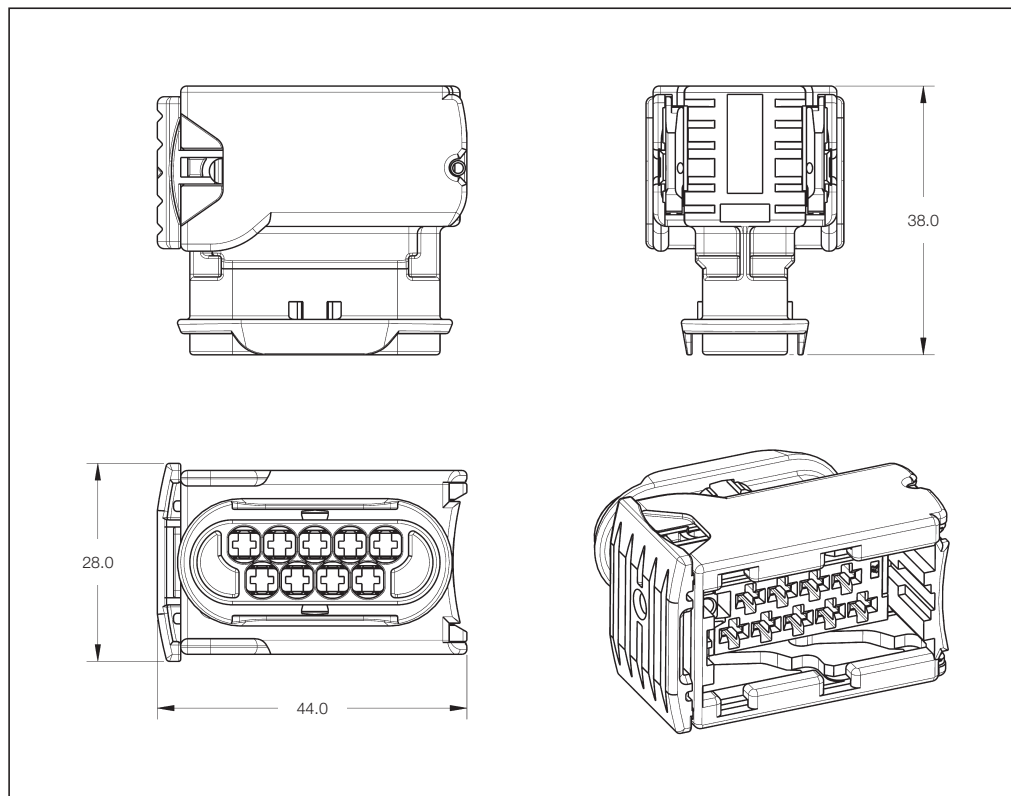
108-15403

Application Specification:

411-15726

Interface Specification:

1801318



Sealed Receptacle Housings

| No. of Positions | Keying Options | Housing Color | Part Numbers | | | | |
|------------------|----------------|---------------|--------------------|------------------|----------|--------------------|-------------------|
| | | | Receptacle Housing | Package Quantity | Cover | Mating Tab Housing | Mating PCB Header |
| 9 | - | Black | 1801286-1 | - | | | |
| | | Gray | 1801286-3 | - | 953717-1 | 1534238-1 | - |
| | | Purple | 1801286-6 | - | | | |

Sealed AMP MCP 2.8 Receptacle Housings

Technical Features

No. of Positions:

15 Positions

Housing Material:

PBT-GF

Wire Size Range:

2.5 mm² FLR Max.

Product Specification:

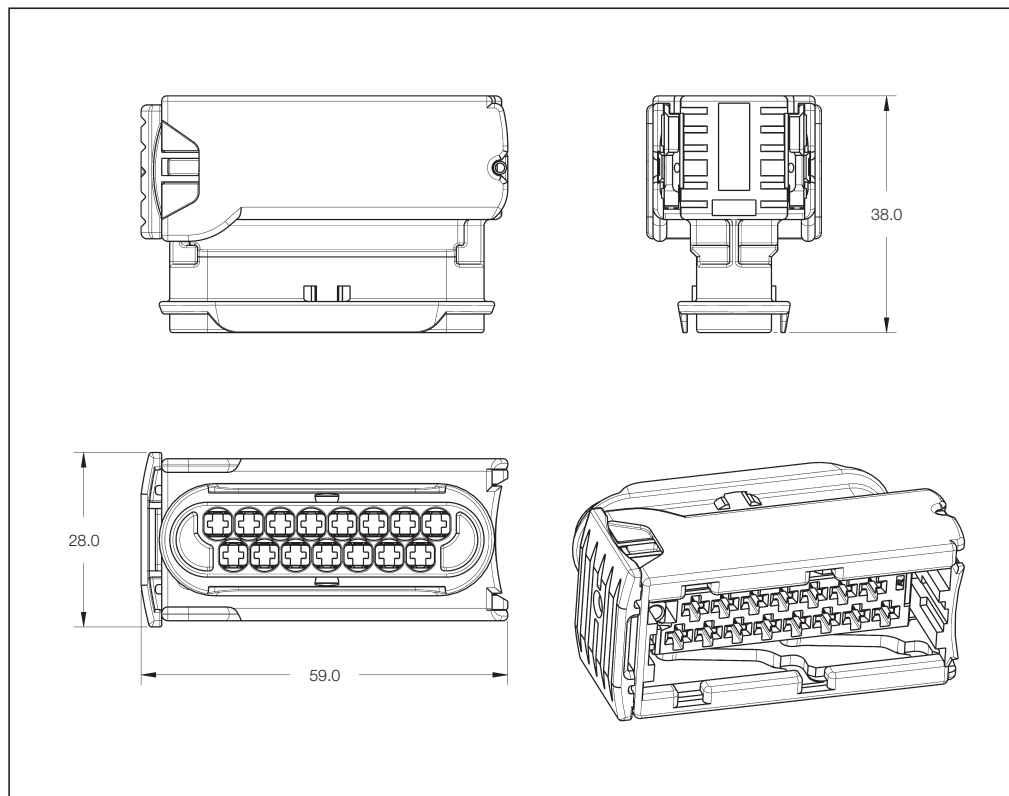
108-15403

Application Specification:

411-15726

Interface Specification:

1801287



Sealed Receptacle Housings

| No. of Positions | Keying Options | Housing Color | Part Numbers | | | | |
|------------------|----------------|---------------|--------------------|------------------|-------|--------------------|-------------------|
| | | | Receptacle Housing | Package Quantity | Cover | Mating Tab Housing | Mating PCB Header |
| 15 | - | Black | 1801326-1 | - | | | |
| | | Gray | 1801326-3 | - | | | |
| | | Green | 1801326-4 | - | - | - | - |
| | | Brown | 1801326-5 | - | | | |
| | | Purple | 1801326-6 | - | | | |

Sealed AMP MCP 1.5K/2.8 Receptacle Housings

Technical Features

No. of Positions:

12 Positions

Housing Material:

PA 66 GF

Wire Size Range:

4x 2.5 mm² FLR Max.
 8x 1.0 mm² FLR Max.

Extraction Tools:

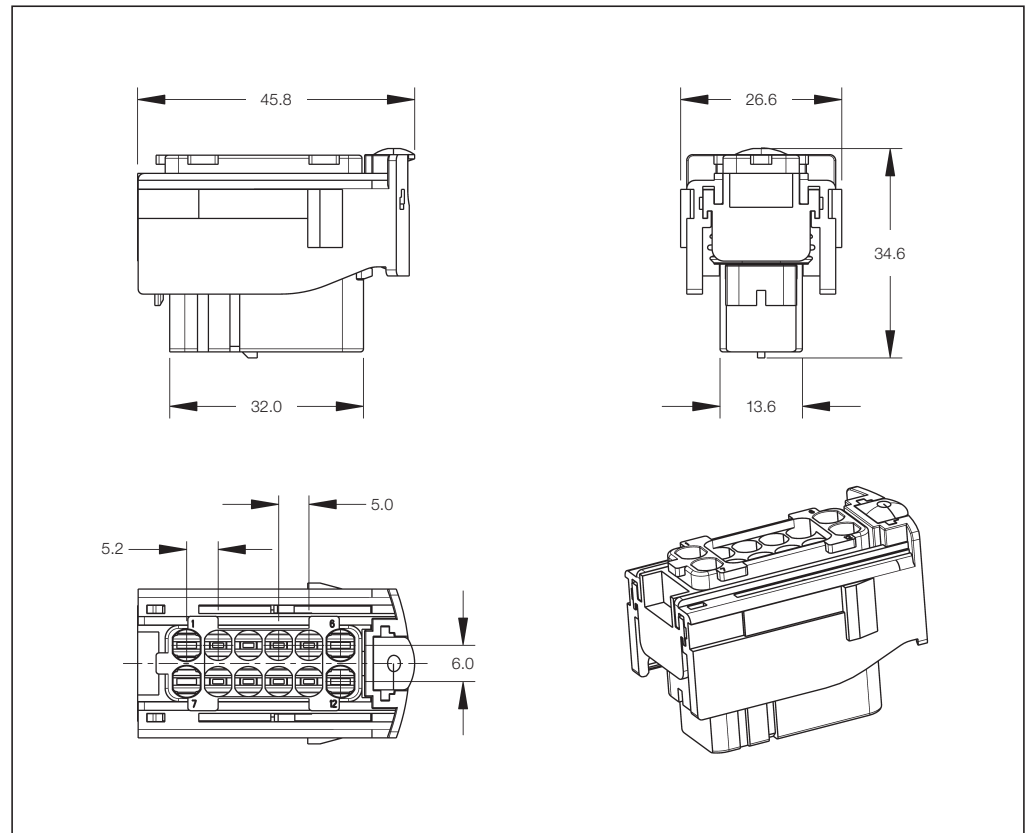
Part No. **1579007-1**
 Part No. **1-1579007-1**
 dependent on the contact

Product Specification:

108-20242

Application Specification:

411-20073



Sealed Mixed Receptacle Housings

| No. of Positions | Keying Options | Housing Color | Part Numbers | | | |
|------------------|----------------|---------------|--------------------|------------------|----------------------------------|-------------------|
| | | | Receptacle Housing | Package Quantity | Mating Tab Housing | Mating PCB Header |
| 12 | A with CPA* | Black | 284848-1 | 500 | 284844-1 & 284844-3 1745045-1 | – |
| | A without CPA | Black | 284848-3 | 500 | 284844-1 & 284844-3 | – |
| | B with CPA* | Gray | 284848-2 | 500 | 284844-2 | – |
| | B without CPA | Gray | 284848-4 | 500 | 284844-4 | – |

*) CPA = Connector Position Assurance.

Sealed AMP MCP 2.8 Receptacle Housings

Technical Features

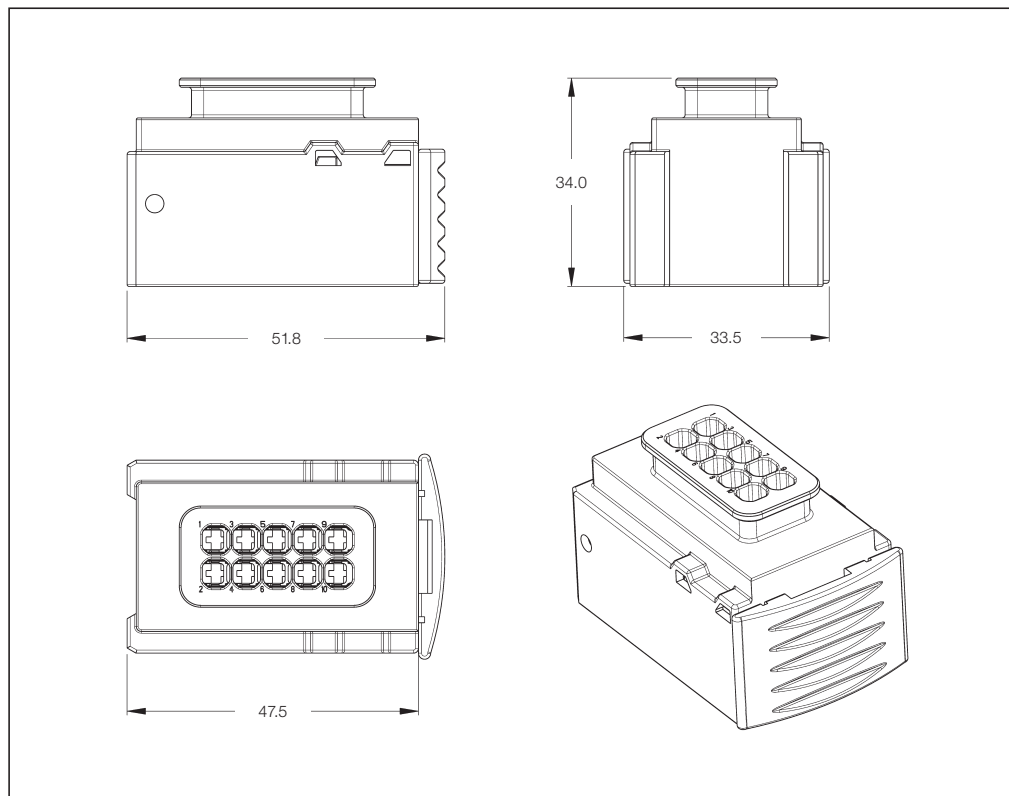
No. of Positions:
 10 Positions

Housing Material:
 PBT-GF

Wire Size Range:
 2.5 mm² FLR Max.

Product Specification:
 108-18923

Application Specification:
 114-18631



Sealed Receptacle Housings

| No. of Positions | Keying Options | Housing Color | Part Numbers | | | | |
|------------------|----------------|---------------|--------------------|------------------|-----------|--------------------|-------------------|
| | | | Receptacle Housing | Package Quantity | Cover | Mating Tab Housing | Mating PCB Header |
| 10 | A | Black | 1718156-1 | – | 1718495-1 | – | – |
| | B | Gray | 1718156-2 | – | | | |

Sealed AMP MCP 2.8 Receptacle Housings

Technical Features

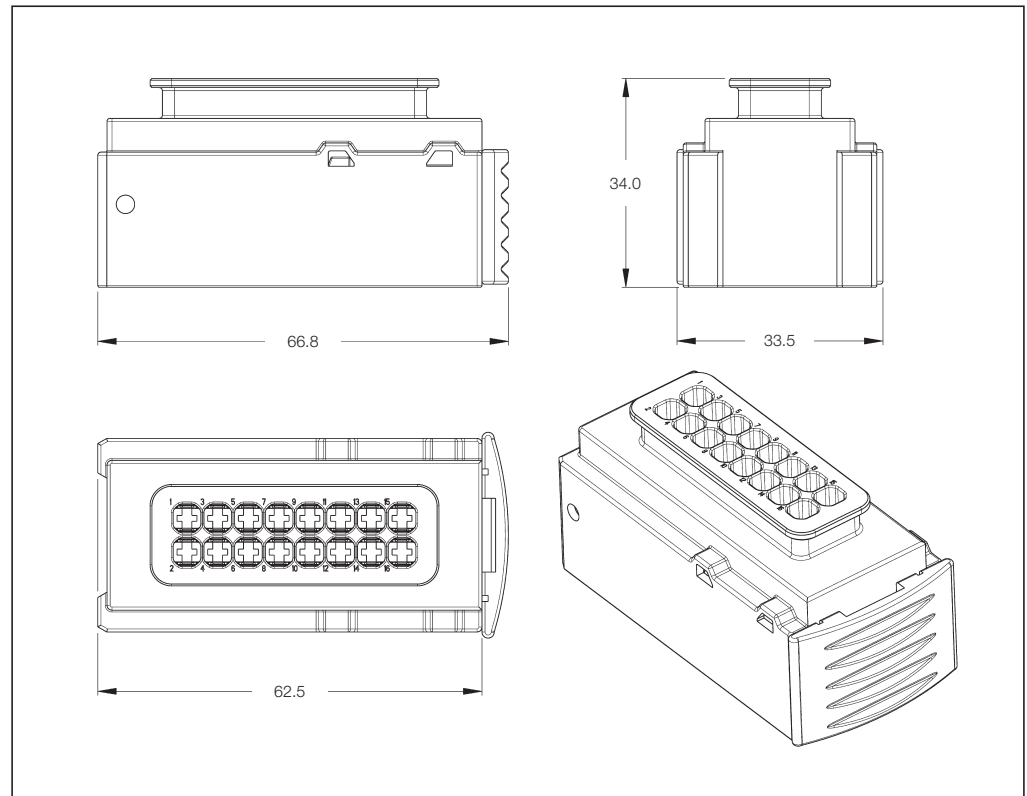
No. of Positions:
 16 Positions

Housing Material:
 PBT-GF

Wire Size Range:
 2.5 mm² FLR Max.

Product Specification:
 108-18923

Application Specification:
 114-18631



Sealed Receptacle Housings

| No. of Positions | Keying Options | Housing Color | Part Numbers | | | | |
|------------------|----------------|---------------|--------------------|------------------|-----------|--------------------|-------------------|
| | | | Receptacle Housing | Package Quantity | Cover | Mating Tab Housing | Mating PCB Header |
| 16 | A | Black | 1718149-1 | – | 1718155-1 | – | – |
| | B | Gray | 1718149-2 | – | | | |

Sealed AMP MCP 1.5K/2.8 Receptacle Housings

Technical Features

No. of Positions:
 20–24 Positions

Housing Material:
 PA 66 GF

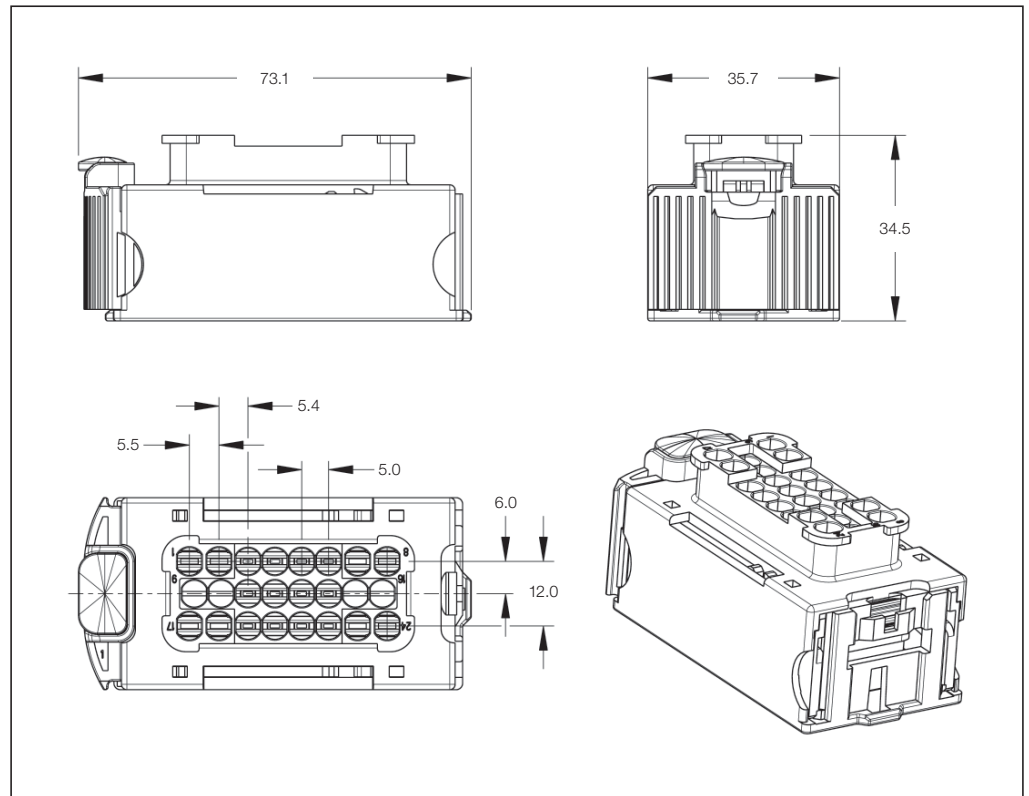
Wire Size Range:
 8x 2.5 mm² FLR Max.
 16x 1.0 mm² FLR Max.

Extraction Tools:

Part No. **1579007-1**
 Part No. **1-1579007-1**
 dependent on the contact

Product Specification:
 108-20262

Application Specification:
 411-20100



Sealed Mixed Receptacle Housings

| No. of Positions | Keying Options | Housing Color | Part Numbers | | | | |
|------------------|-----------------|---------------|--------------------|------------------|-------|--------------------|-------------------|
| | | | Receptacle Housing | Package Quantity | Cover | Mating Tab Housing | Mating PCB Header |
| 20 | A (Slide Right) | Black | 1745043-1 | 320 | – | 1745044-1 | – |
| | A (Slide Left) | Black | 1745043-2 | 320 | – | – | – |
| 24 | A (Slide Right) | Gray | 1745043-3 | 320 | – | 1745044-2 | – |
| | A (Slide Left) | Gray | 1745043-4 | 320 | – | – | – |

Sealed AMP MCP 2.8 Receptacle Housings

Technical Features

No. of Positions:
 15 Positions

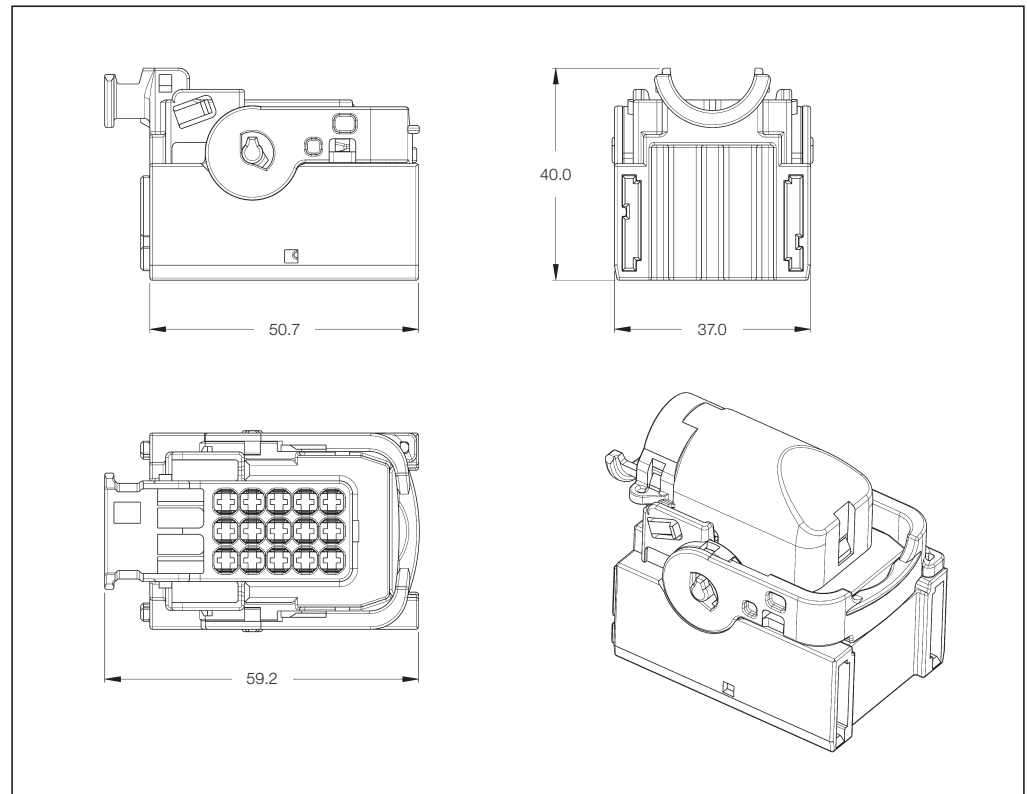
Housing Material:
 PBT-GF20

Extraction Tool:
 Part No. **1579007-1**

Wire Size Range:
 2.5 mm² FLR Max.
 AWG 12 TXL Max.

Product Specification:
 108-18696

Application Specification:
 114-18376



Sealed Receptacle Housings

| No. of Positions | Keying Options | Housing Color | Part Numbers | | | |
|------------------|----------------|---------------|--------------------|------------------|--------------------|-------------------|
| | | | Receptacle Housing | Package Quantity | Mating Tab Housing | Mating PCB Header |
| 15 | A | Black | 1-1534126-1 | – | | 1703799-1 |
| | B | Natural | 2-1534126-1 | – | 9-1394049-1 | *) |
| | C | Blue | 3-1534126-1 | – | | *) |

*) On request.

Sealed AMP MCP 1.5K/2.8/6.3 Receptacle Housings

Technical Features

No. of Positions:
 22 Positions

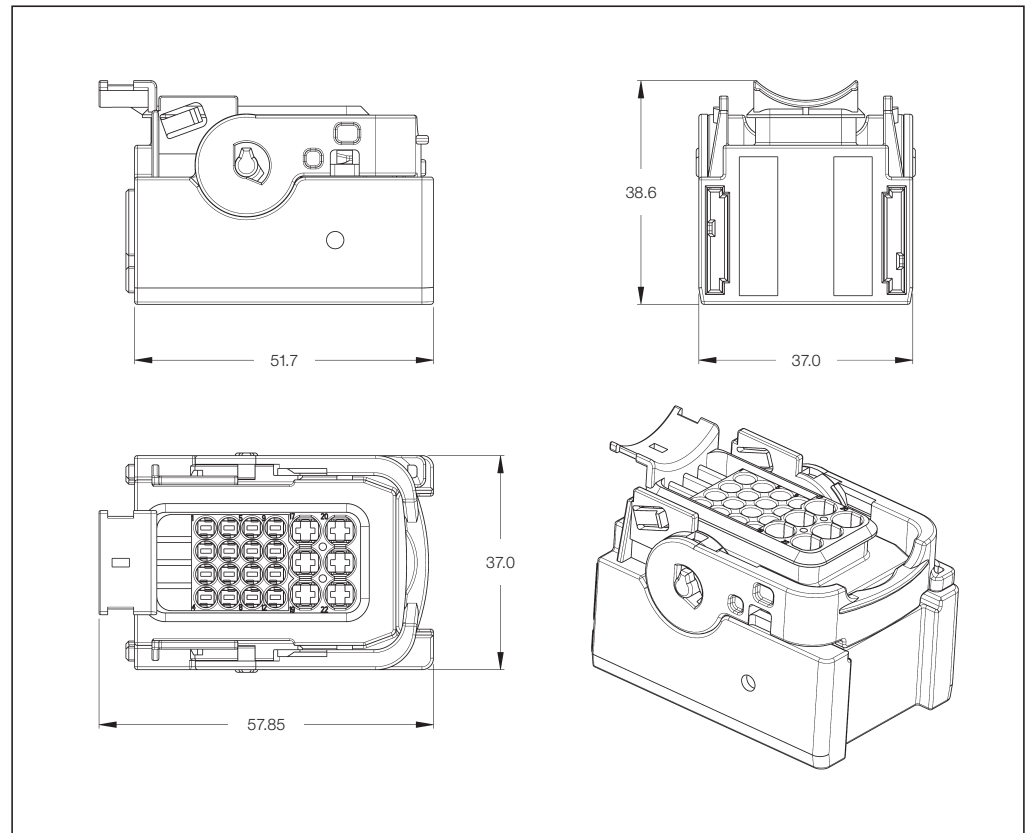
Housing Material:
 PBT-GF30

Wire Size Range:
 16x AMP MCP 1.5K
 1.5 mm² FLR Max.
 6x AMP MCP 2.8
 2.5 mm² FLR Max.
 AWG 12 TXL Max.

Extraction Tools:
 Part No. **1579007-1**
 Part No. **1-1579007-1**
 dependent on the contact

Product Specification:
 108-94025

Application Specification:
 114-18993



Sealed Mixed Receptacle Housings

| No. of Positions | Keying Options | Housing Color | Part Numbers | | | |
|------------------|----------------|---------------|--------------------|------------------|-------|--------------------|
| | | | Receptacle Housing | Package Quantity | Cover | Mating Tab Housing |
| 18 | A | Black | 1-1823440-2 | – | | 1-1823449-2 |
| | B | Gray | *) | – | *) | *) |
| | C | Blue | *) | – | | *) |
| | D | Green | *) | – | | *) |
| 22 | A | Black | 1-1823440-3 | – | | 2112452-1 |
| | B | Gray | 2-1823440-3 | – | *) | |
| | C | Blue | 3-1823440-3 | – | *) | |
| | D | Green | 4-1823440-3 | – | *) | |

*) On request.

Sealed AMP MCP 2.8 Receptacle Housings

Technical Features

No. of Positions:
 21 Positions

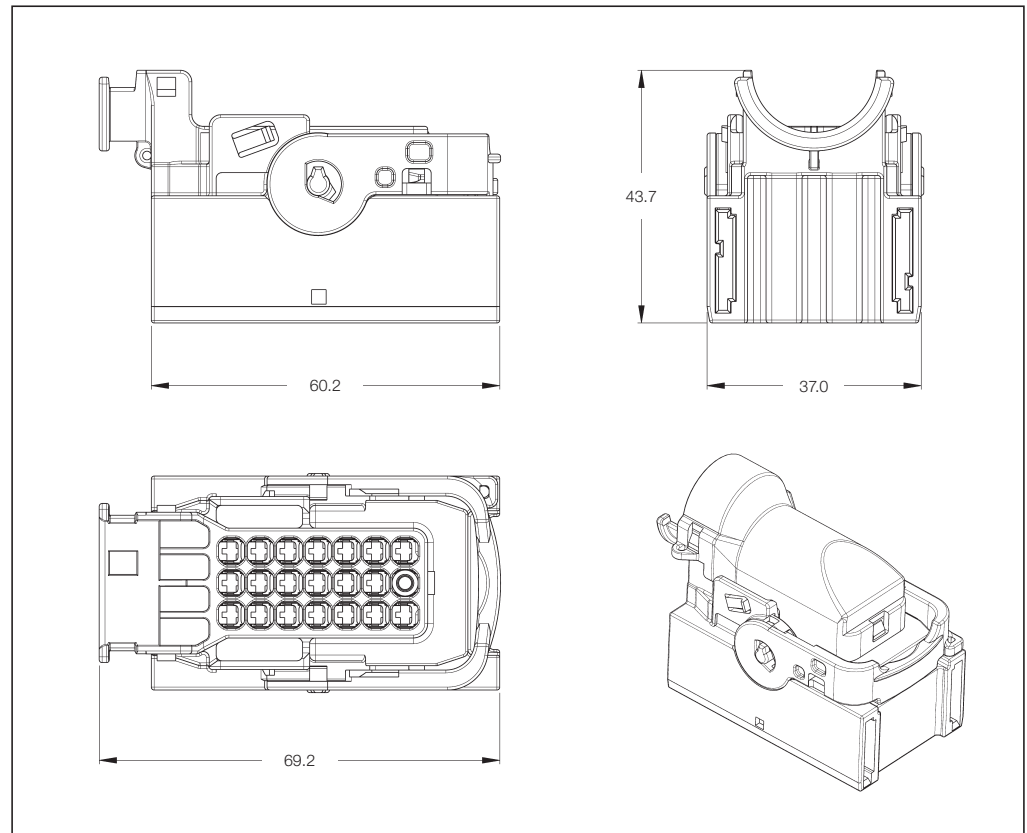
Housing Material:
 PBT-GF20

Wire Size Range:
 2.5 mm² FLR Max.
 AWG 12 TXL Max.

Extraction Tool:
 Part No. **1579007-1**

Product Specification:
 108-18696

Application Specification:
 114-18376



Sealed Receptacle Housings

| No. of Positions | Keying Options | Housing Color | Part Numbers | | | | |
|------------------|----------------|---------------|--------------------|------------------|-------------|--------------------------------|----------------------------|
| | | | Receptacle Housing | Package Quantity | Cover | Mating Tab Housing with Flange | Mating Vertical PCB Header |
| 21 | A | Black | 1-1534127-1 | – | 9-1394050-1 | 1-2112162-1 | 1534238-1 |
| | B | Natural | 2-1534127-1 | – | | *) | *) |
| | C | Blue | 3-1534127-1 | – | | *) | *) |
| | D | Violet | 4-1534127-1 | – | | *) | *) |

*) On request.

Sealed AMP MCP 1.5K/2.8/6.3 Receptacle Housings

Technical Features

No. of Positions:
 29 Positions

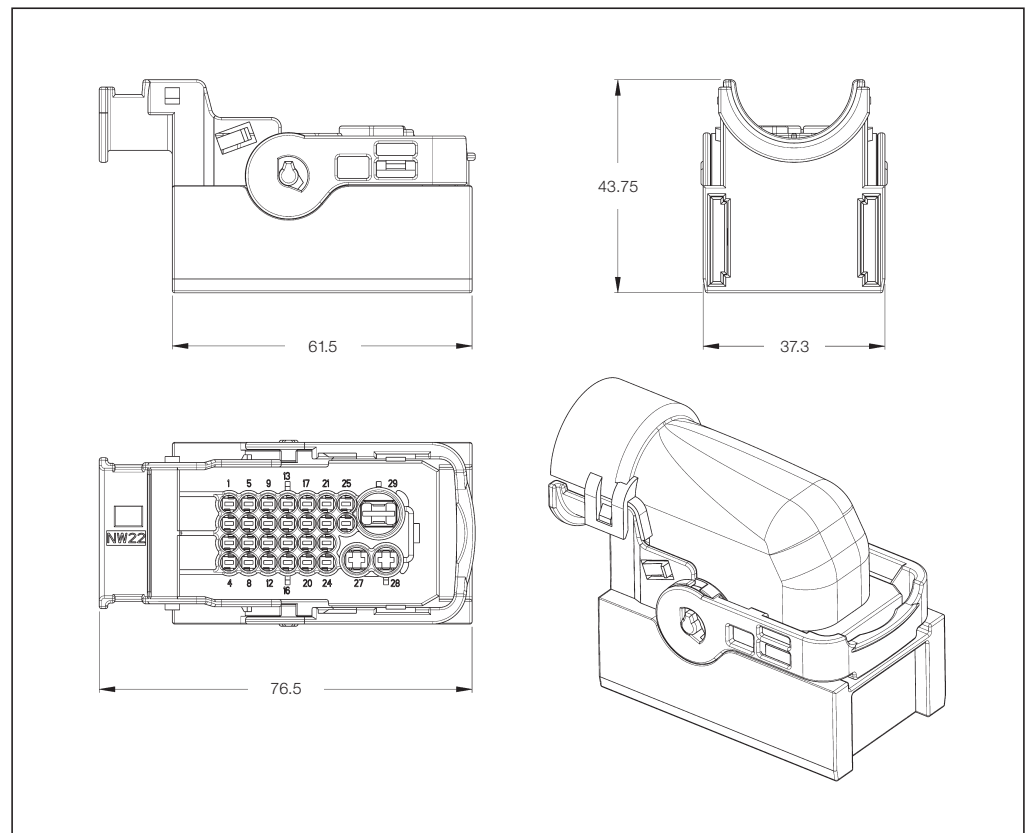
Housing Material:
 PBT-GF30

Wire Size Range:
 26x AMP MCP 1.5K
 1.5 mm² FLR Max.
 2x AMP MCP 2.8
 2.5 mm² FLR Max.
 1x AMP MCP 4.8K/6.3
 6.0 mm² FLR Max.

Extraction Tools:
 Part No. **1579007-1**
 Part No. **1-1579007-1**
 Part No. **1-1579007-3**
 dependent on the contact

Product Specification:
 108-94215

Application Specification:
 114-94011



Sealed Mixed Receptacle Housings

| No. of Positions | Keying Options | Housing Color | Part Numbers | | | |
|------------------|----------------|---------------|--------------------|------------------|-------|--------------------|
| | | | Receptacle Housing | Package Quantity | Cover | Mating Tab Housing |
| 29 | A | Black | 1-1823402-1 | – | | |
| | B | Gray | 2-1823402-1 | – | *) | *) |
| | C | Blue | 3-1823402-1 | – | | |
| | D | Green | *) | – | | |

*) On request.

Sealed AMP MCP 1.5K/2.8/6.3 Receptacle Housings

Technical Features

No. of Positions:
 26 Positions

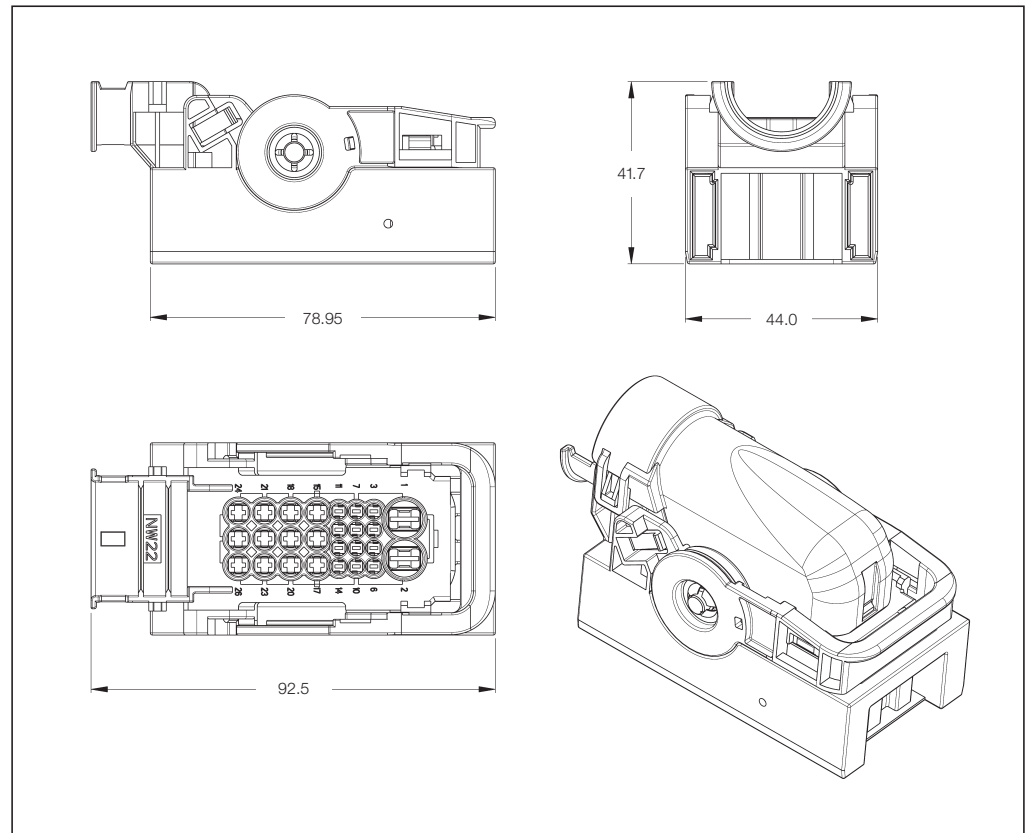
Housing Material:
 PBT-GF30

Wire Size Range:
 12x AMP MCP 1.5K
 1.5 mm² FLR Max.
 12x AMP MCP 2.8
 2.5 mm² FLR Max.
 2x AMP MCP 4.8K/6.3
 6.0 mm² FLR Max.

Extraction Tools:
 Part No. **1579007-1**
 Part No. **1-1579007-1**
 Part No. **1-1579007-3**
 dependent on the contact

Product Specification:
 108-94214

Application Specification:
 114-94010



Sealed Mixed Receptacle Housings

| No. of Positions | Keying Options | Housing Color | Part Numbers | | | |
|------------------|----------------|---------------|--------------------|------------------|-----------|----------------------------|
| | | | Receptacle Housing | Package Quantity | Cover | Mating Tab Housing |
| 26 | A | Black | 1-2112035-1 | – | 2112046-1 | 1-2112041-1 1-2112041-2 |

Sealed AMP MCP 1.5K Receptacle Housings

Technical Features

No. of Positions:
 46 Positions

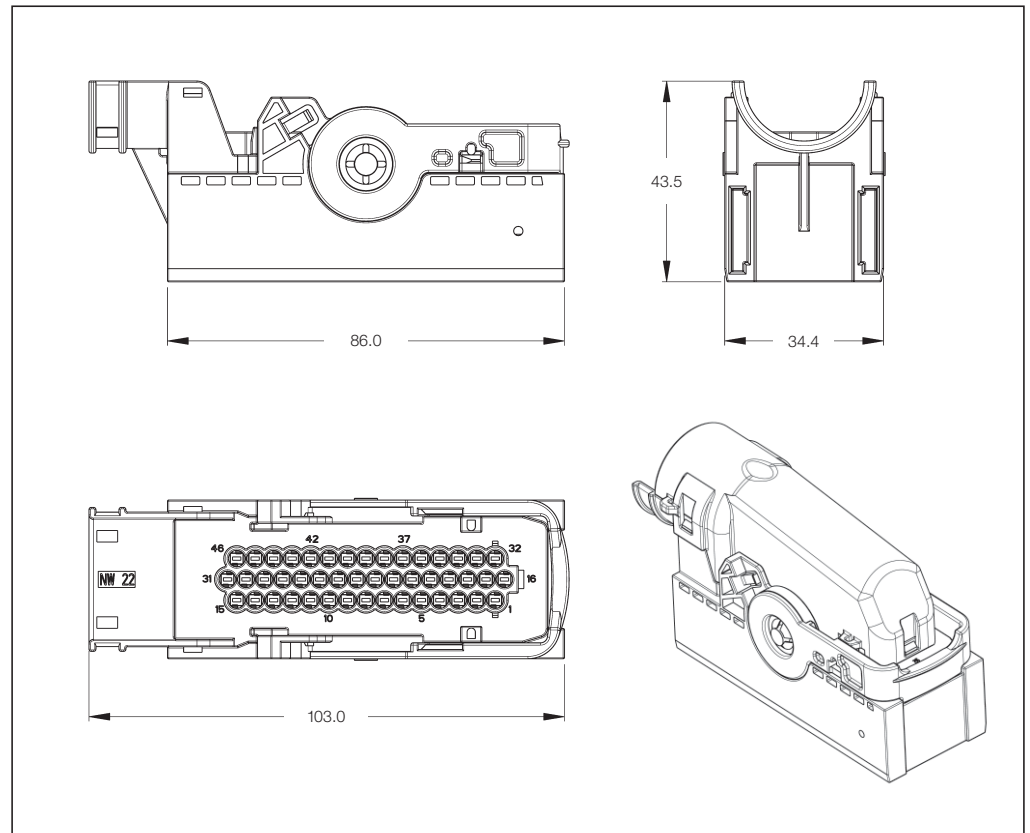
Housing Material:
 PBT-GF20

Extraction Tool:
 Part No. **1-1579007-1**

Wire Size Range:
 1.5 mm² FLR Max.
 AWG 16 TXL Max.

Product Specification:
 108-94216

Application Specification:
 114-94012



Sealed Receptacle Housings

| No. of Positions | Keying Options | Housing Color | Part Numbers | | | |
|------------------|----------------|---------------|--------------------|------------------|-----------|-------------------|
| | | | Receptacle Housing | Package Quantity | Cover | Mating Tab Header |
| 46 | A | Black | 1-2112231-1 | – | 2112233-1 | *) |

*) On request.

Sealed AMP MCP 1.5K/2.8 Receptacle Housings

Technical Features

No. of Positions:
 62 Positions

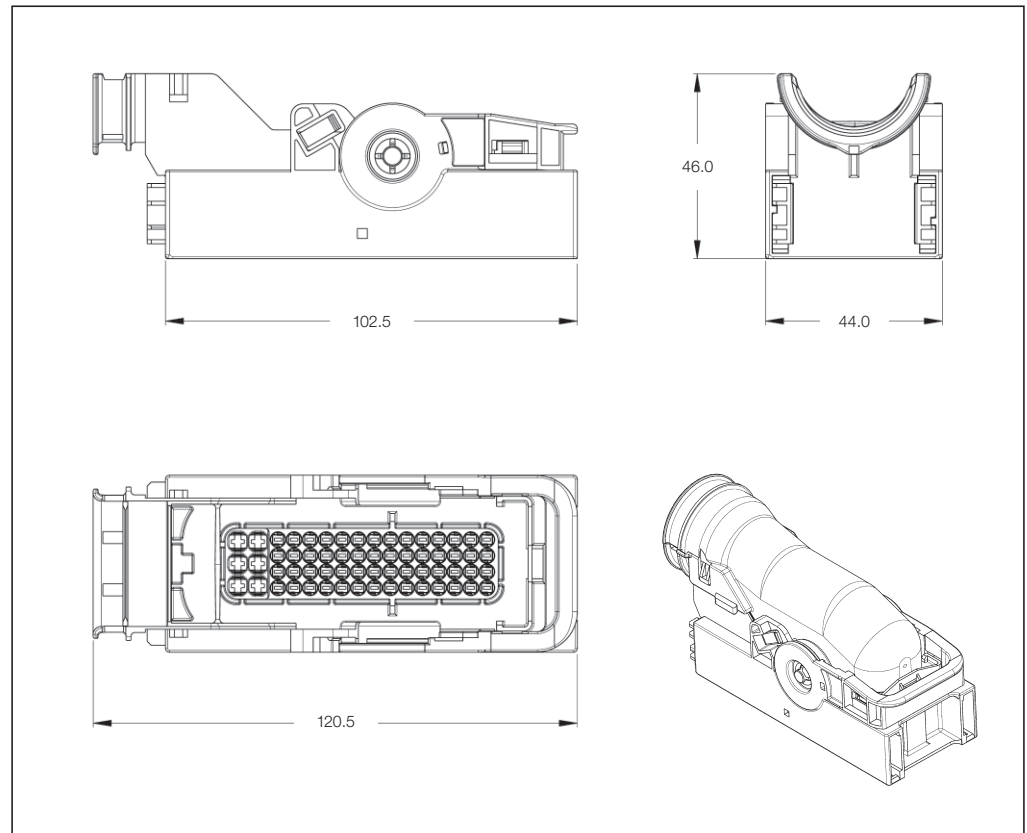
Housing Material:
 PBT-GF20

Wire Size Range:
 6x AMP MCP 1.5K
 1.5 mm² FLR Max.
 AWG 16 TXL Max.
 56x AMP MCP 2.8
 2.5 mm² FLR Max.
 AWG 12 TXL Max.

Extraction Tools:
 Part No. **1579007-1**
 Part No. **1-1579007-1**
 dependent on the contact

Product Specification:
 108-18946

Application Specification:
 114-18660



Sealed Mixed Receptacle Housings

| No. of Positions | Keying Options | Housing Color | Part Numbers | | | | |
|------------------|----------------|---------------|--------------------|-----------|--------------------|----------------------------|------------------------------|
| | | | Receptacle Housing | Cover | Mating Tab Housing | Mating PCB Header Straight | Mating PCB Header 90° Angled |
| 62 | A | Black | 1-1418883-1 | 1418882-1 | 1-1718324-1 | 1-1418362-1 | 1-1418362-3 |
| | B | Gray | 2-1418883-1 | | 2-1718324-1 | 2-1418362-1 | 2-1418362-3 |
| | C | Blue | 3-1418883-1 | | - | - | - |
| 62* | A | Black | 1-1823498-1 | 1823500-1 | - | - | - |
| | B | Gray | 2-1823498-1 | | - | - | - |
| | C | Blue | 3-1823498-1 | | - | - | - |
| | D | Green | 4-1823498-1 | | - | - | - |

*) UL 94 V-0 rated.

Sealed AMP MCP 2.8 Receptacle Housings

Technical Features

No. of Positions:
 39 Positions

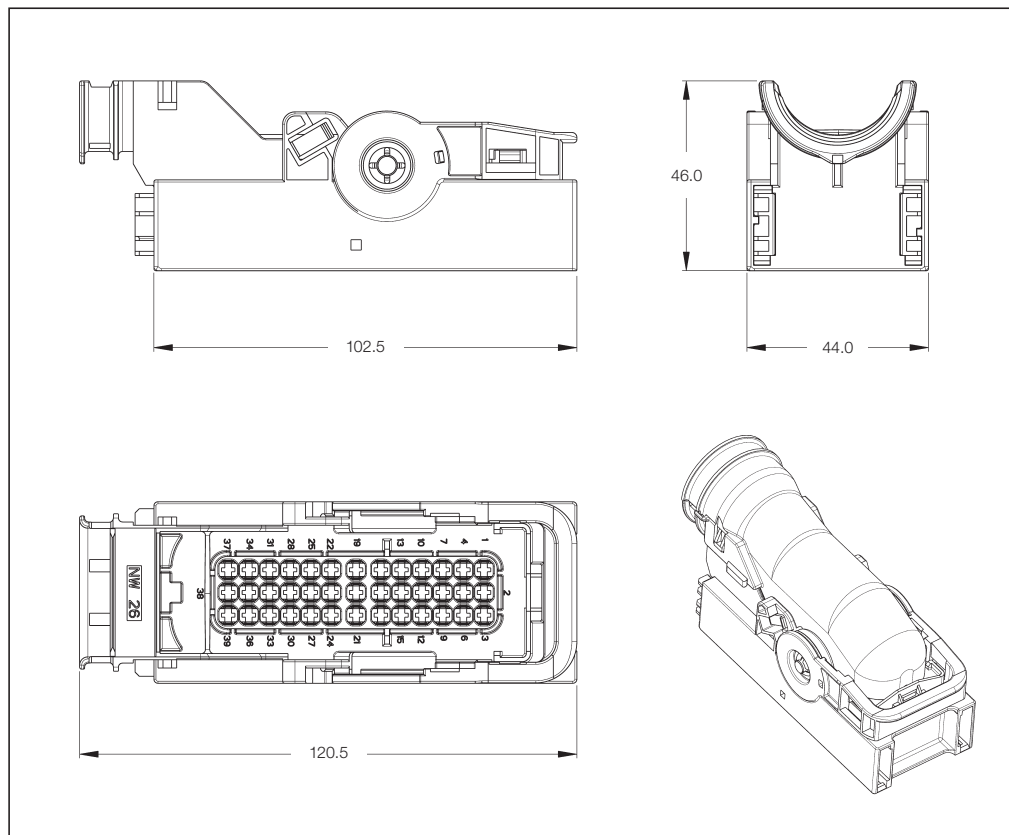
Housing Material:
 PBT-GF20

Wire Size Range:
 AMP MCP 2.8
 2.5 mm² FLR Max.
 AWG 12 TXL Max.

Extraction Tool:
 Part No. **1579007-1**

Product Specification:
 108-18946

Application Specification:
 114-18660



Sealed Receptacle Housings

| No. of Positions | Keying Options | Housing Color | Part Numbers | | | | |
|------------------|----------------|---------------|--------------------|-----------|--------------------|----------------------------|------------------------------|
| | | | Receptacle Housing | Cover | Mating Tab Housing | Mating PCB Header Straight | Mating PCB Header 90° Angled |
| 39 | E | Emerald Green | 5-1718321-3 | 1418882-1 | 5-1718323-1 | 5-1418363-1 | 5-1418363-3 |

Sealed AMP MCP 2.8/6.3 Receptacle Housings

Technical Features

No. of Positions:
 31 Positions

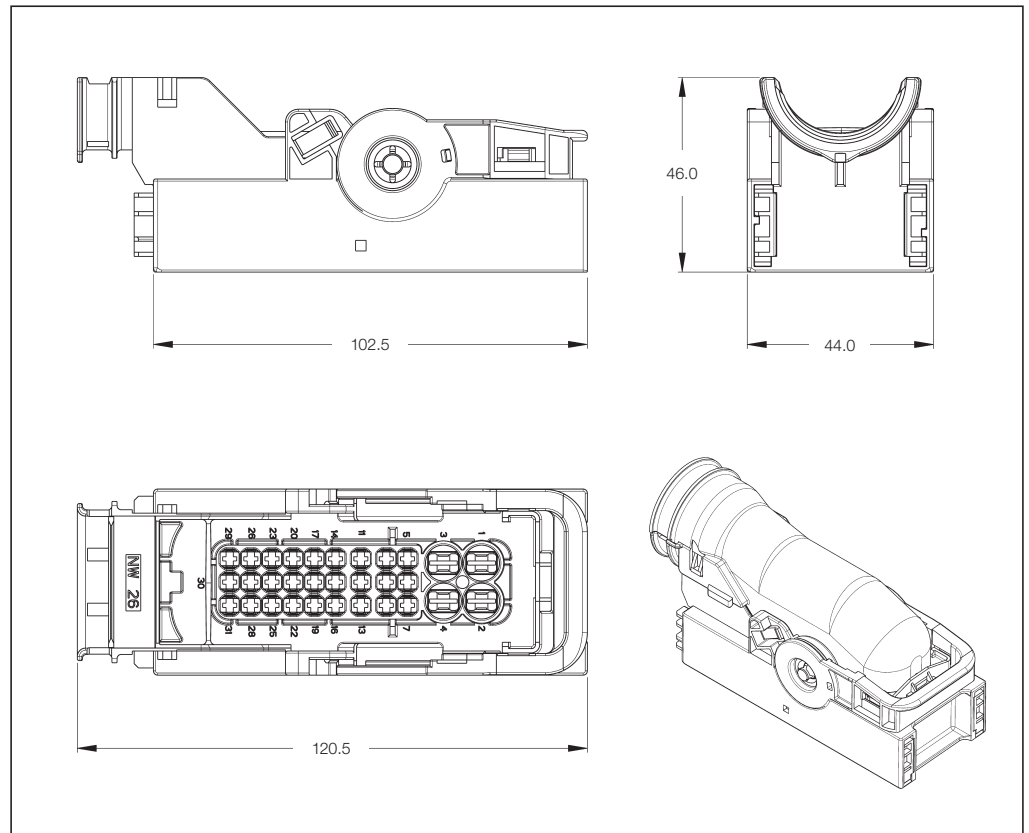
Housing Material:
 PBT-GF20

Wire Size Range:
 27x AMP MCP 2.8
 2.5 mm² FLR Max./
 AWG 12 TXL Max.
 4x AMP MCP 4.8K/6.3
 6.0 mm² FLR Max.

Extraction Tools:
 Part No. **1579007-1**
 Part No. **1-1579007-3**
 dependent on the contact

Product Specification:
 108-18946

Application Specification:
 114-18660



Sealed Receptacle Housings

| No. of Positions | Keying Options | Housing Color | Part Numbers | | | |
|------------------|----------------|---------------|--------------------|-----------|--------------------|---|
| | | | Receptacle Housing | Cover | Mating Tab Housing | Mating PCB Header Straight 90° Angled |
| 31 | A | Bordeaux | 1-1564297-6 | 1418882-1 | *) | *) *) |

*) On request.

Sealed AMP MCP 1.5K Receptacle Housings

Technical Features

No. of Positions:

92 Positions

Housing Material:

PBT-GF20

Extraction Tool:

Part No. **1-1579007-1**

Wire Size Range:

1.5 mm² FLR Max.

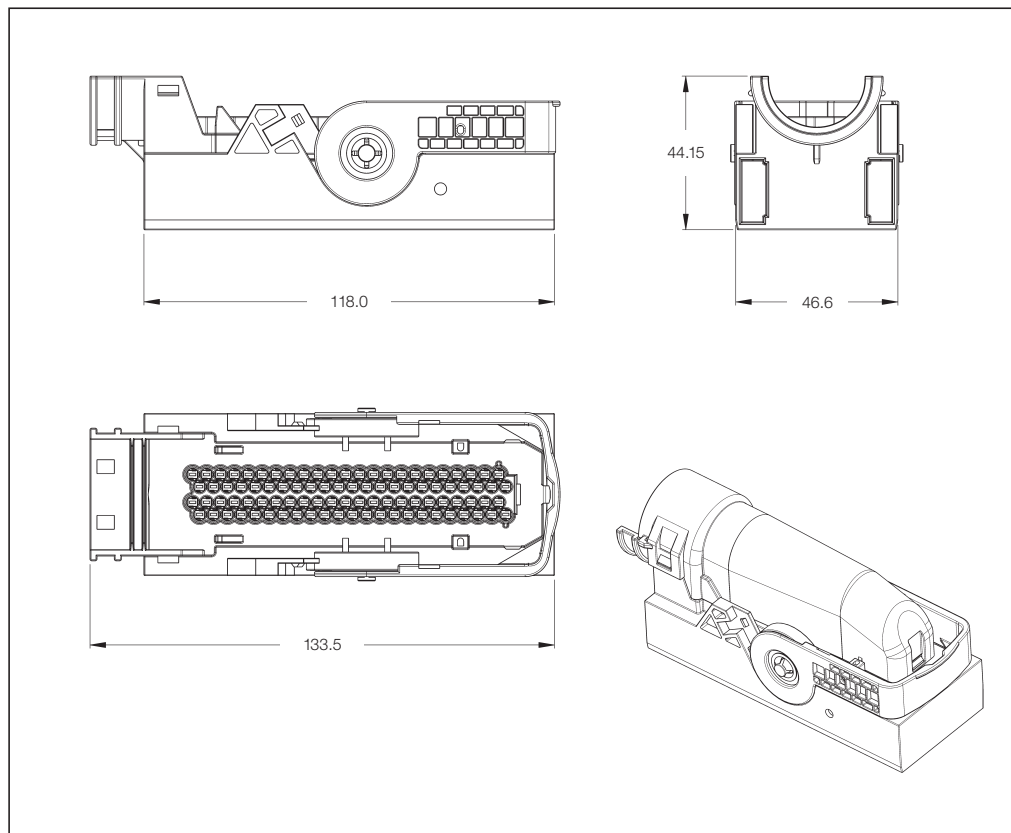
AWG 16 TXL Max.

Product Specification:

108-18893

Application Specification:

114-18598



Sealed Receptacle Housings

| No. of Positions | Keying Options | Housing Color | Part Numbers | | | |
|------------------|----------------|---------------|--------------------|------------------|-----------|-------------------|
| | | | Receptacle Housing | Package Quantity | Cover | Mating Tab Header |
| 92 | A | Black | 1703998-1 | – | 1703997-1 | 1-1452228-9 |

Sealed 2.8 mm Tab Housings

Technical Features

No. of Positions:
 15 Positions

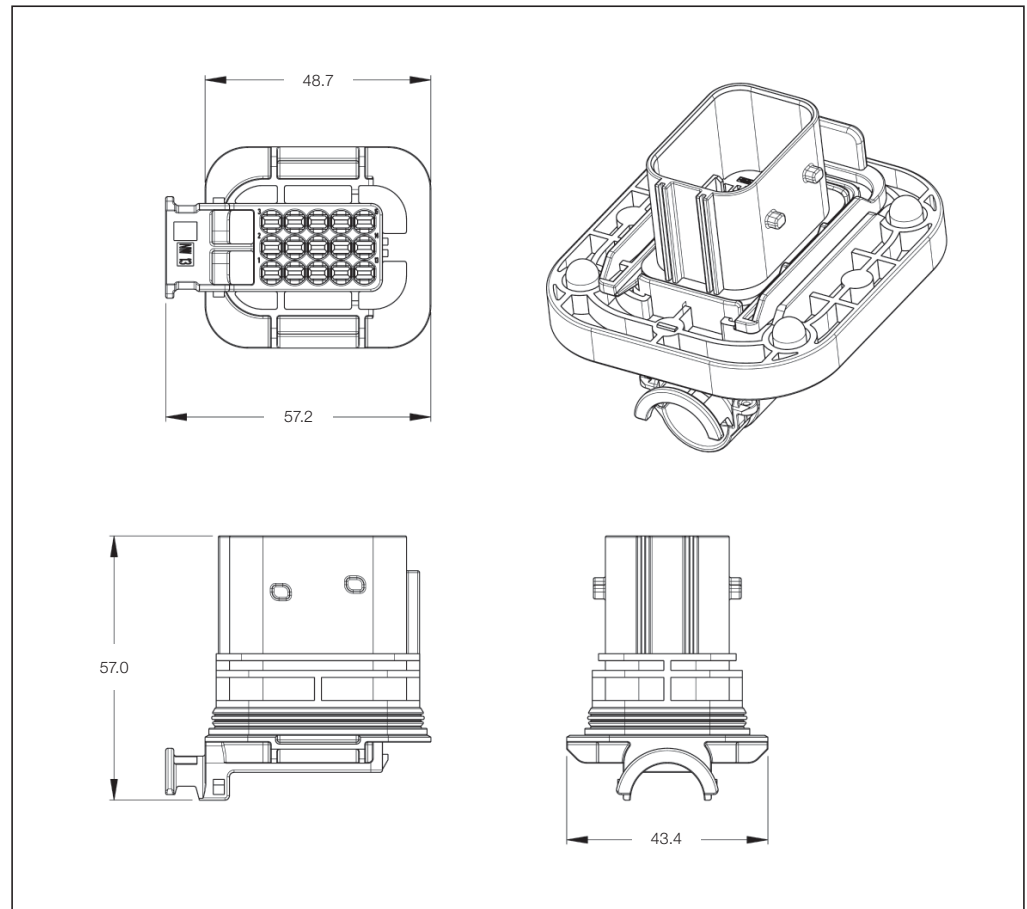
Housing Material:
 PBT-GF20

Wire Size Range:
 2.5 mm² FLR Max.
 AWG 12 TXL Max.

Extraction Tool:
 Part No. **1-1579007-6**

Product Specification:
 108-18696

Application Specification:
 114-18376



Sealed 2.8 mm Tab Housings

| No. of Positions | Keying Options | Housing Color | Part Numbers | | | | |
|------------------|----------------|---------------|--------------|-------------|-----------|---------------|---------------------------|
| | | | Tab Housing | Cover | Adapter | Locking Slide | Mating Receptacle Housing |
| 15 | A | Black | 1703799-1 | | | | 1-1534126-1 |
| | B | Natural | *) | 9-1394049-1 | 1703806-1 | 1703804-1 | 2-1534126-1 |
| | C | Blue | *) | | | | 3-1534126-1 |

*) On request.

Sealed 1.5 mm/2.8 mm Tab Housings

Technical Features

No. of Positions:

22 Positions

Housing Material:

PBT-GF30

Wire Size Range:

1.5 mm² FLR Max.
 2.5 mm² FLR Max.
 AWG 12 TXL Max.

Extraction Tools:

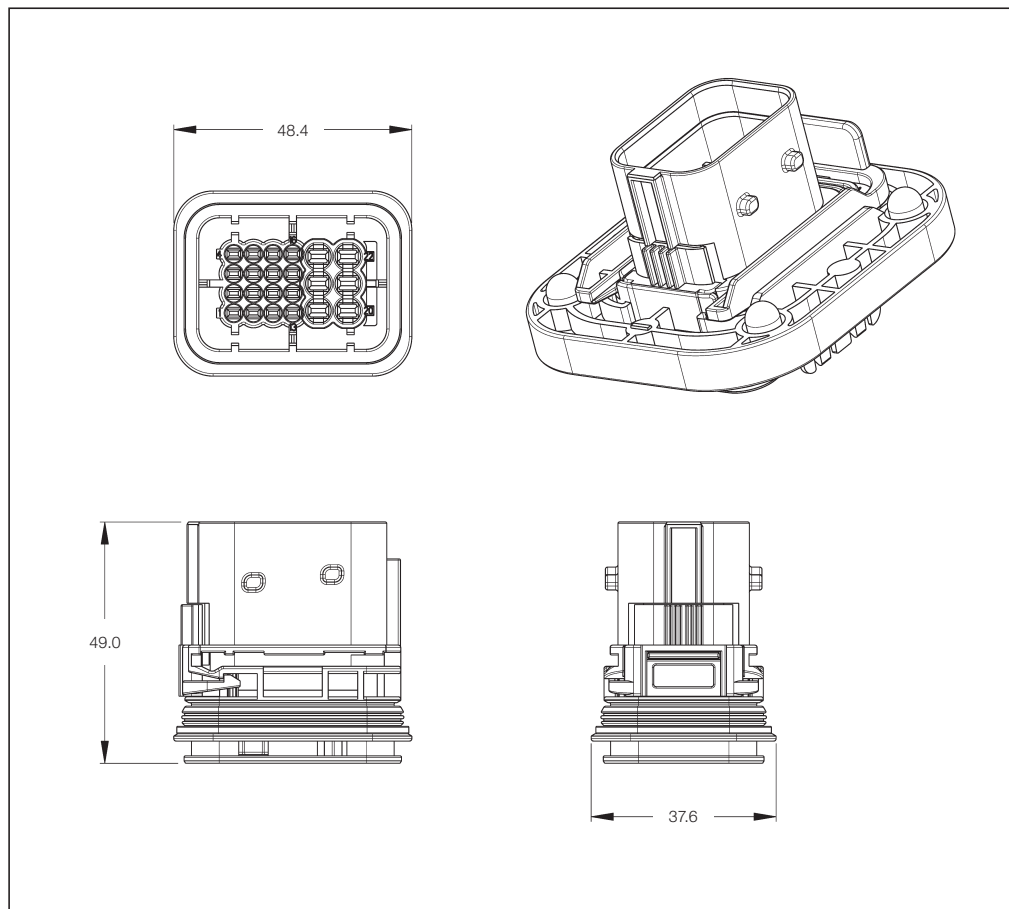
Part No. **1-1579007-1**
 Part No. **1-1579007-6**
 dependent on the contact

Product Specification:

108-94025

Application Specification:

114-18993



Sealed Mixed Tab Housings

| No. of Positions | Keying Options | Housing Color | Part Numbers | | | | |
|------------------|----------------|---------------|--------------|-------|-----------|---------------|---------------------------|
| | | | Tab Housing | Cover | Adapter | Locking Slide | Mating Receptacle Housing |
| 18 | A | Black | 1-1823449-2 | | | | 1-1823440-2 |
| | B | Gray | *) | *) | 1703806-1 | 1703804-1 | *) |
| | C | Blue | *) | | | | *) |

*) On request.

Sealed 2.8 mm Tab Housings

Technical Features

No. of Positions:
 21 Positions

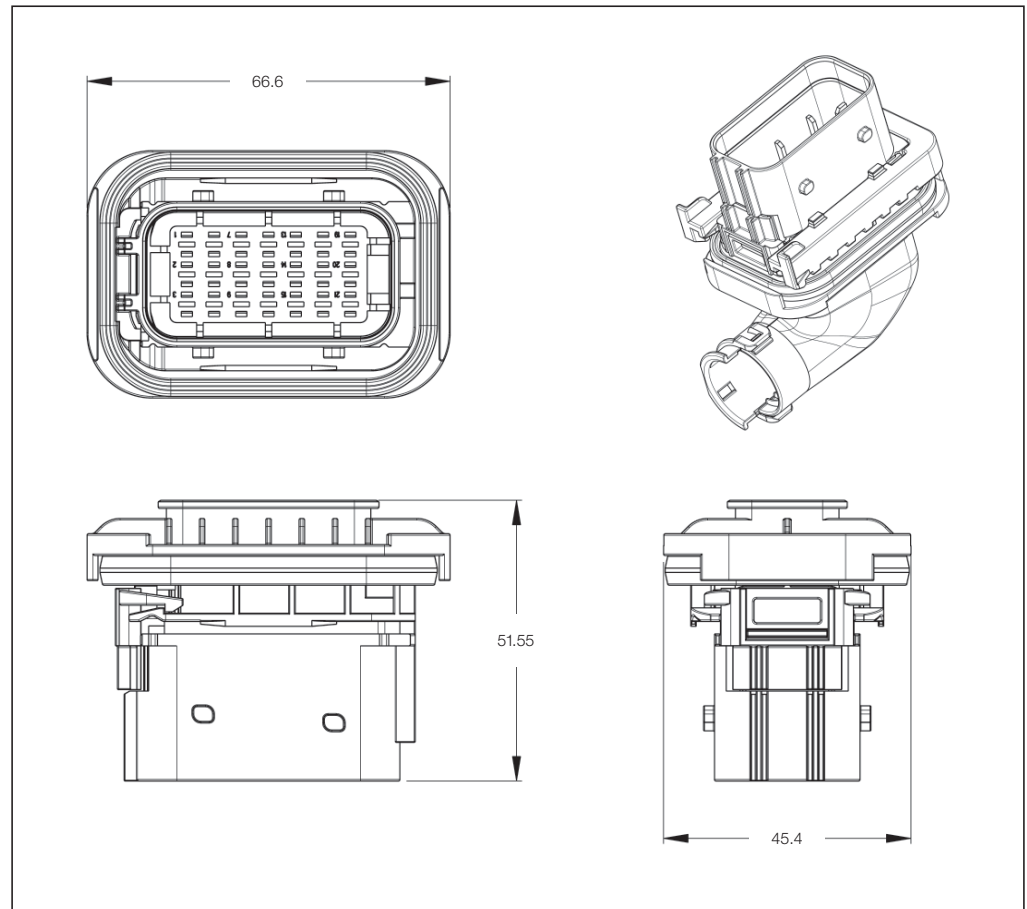
Housing Material:
 PBT-GF30

Wire Size Range:
 2.5 mm² FLR Max.
 AWG 12 TXL Max.

Extraction Tool:
 Part No. **1-1579007-6**

Product Specification:
 108-18696

Application Specification:
 114-18376



Sealed Tab Housings

| No. of Positions | Keying Options | Housing Color | Part Numbers | | | |
|------------------|----------------|---------------|-------------------------|-----------|-----------------------|---------------------------|
| | | | Tab Housing with Flange | Cover | Locking Slide | Mating Receptacle Housing |
| 21 | A | Black | 1-2112162-1 | 2112167-1 | 2112166-1 (2.5 mm) | 1-1534127-1 |
| | B | Natural | *) | | | 2-1534127-1 |
| | C | Blue | *) | | | 3-1534127-1 |
| | D | Violet | *) | | | 4-1534127-1 |

*) On request.

Sealed 1.5 mm/2.8 mm/6.3 mm Tab Housings

Technical Features

No. of Positions:
 26 Positions

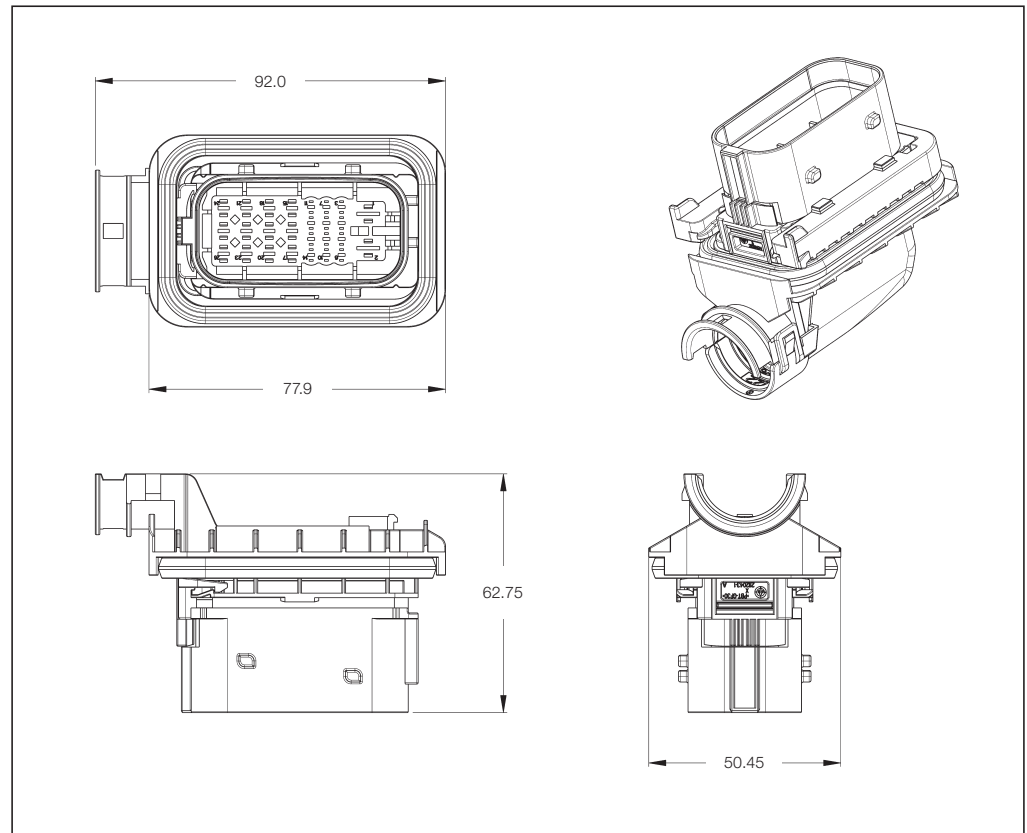
Housing Material:
 PBT-GF30

Wire Size Range:
 12x 1.0 mm² FLR Max.
 12x 2.5 mm² FLR Max.
 AWG 12 TXL Max.
 4x 6.0 mm² FLR Max.

Extraction Tools:
 Part No. **1-1579007-1**
 Part No. **1-1579007-3**
 Part No. **1-1579007-6**
 dependent on the contact

Product Specification:
 108-94214

Application Specification:
 114-94010



Sealed Mixed Tab Housings

| No. of Positions | Keying Options | Housing Color | Part Numbers | | | | |
|------------------|----------------|---------------|-------------------------|-------------|-----------|-------------------------|---------------------------|
| | | | Tab Housing with Flange | | Cover | Locking Slide | Mating Receptacle Housing |
| 26 | A | Black | 1-2112041-1 | 1-2112041-2 | 2112046-1 | 1-2112045-1 (2.5 mm) | 1-2112035-1 |

Sealed 1.5 mm/2.8 mm Tab Housings

Technical Features

No. of Positions:
 62 Positions

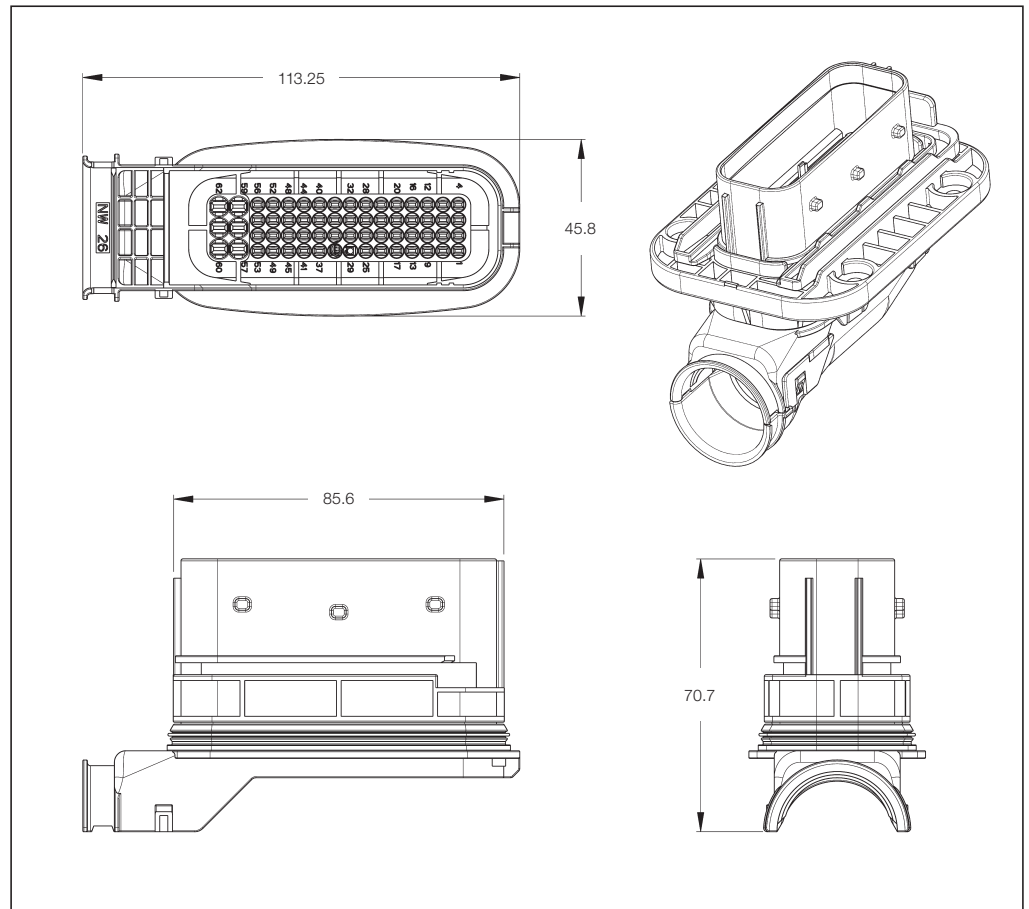
Housing Material:
 PBT-GF20

Wire Size Range:
 56x 1.5 mm² FLR Max.
 6x 2.5 mm² FLR Max.
 AWG 12 TXL Max.

Extraction Tools:
 Part No. **1-1579007-1**
 Part No. **1-1579007-6**
 dependent on the contact

Product Specification:
 108-18946

Application Specification:
 114-18660



Sealed Tab Housings

| No. of Positions | Keying Options | Housing Color | Part Numbers | | | | |
|------------------|----------------|---------------|--------------|-----------|-----------|---------------|---------------------------|
| | | | Tab Housing | Cover | Adapter | Locking Slide | Mating Receptacle Housing |
| 62 | A | Black | 1-1718324-1 | | 1718329-1 | | 1-1418883-1 |
| | B | Gray | 2-1718324-1 | 1418882-1 | 1813123-1 | 1718328-1 | 2-1418883-1 |
| | C | Blue | – | | 1813123-2 | | 3-1418883-1 |

Sealed 2.8 mm Tab Housings

Technical Features

No. of Positions:
 39 Positions

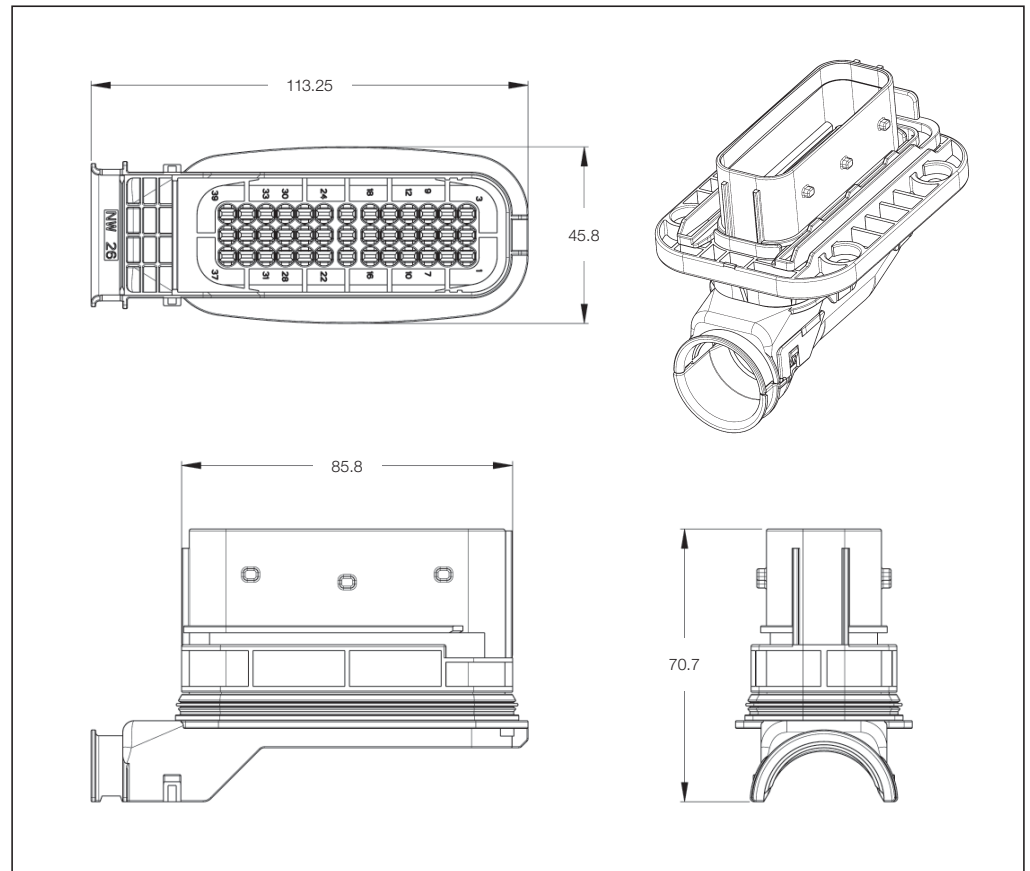
Housing Material:
 PBT-GF20

Wire Size Range:
 2.5 mm² FLR Max.
 AWG 12 TXL Max.

Extraction Tool:
 Part No. **1-1579007-6**

Product Specification:
 108-18946

Application Specification:
 114-18660



Sealed 2.8 mm Tab Housings

| No. of Positions | Keying Options | Housing Color | Part Numbers | | | | |
|------------------|----------------|---------------|--------------|-----------|-------------------------------------|---------------|---------------------------|
| | | | Tab Housing | Cover | Adapter | Locking Slide | Mating Receptacle Housing |
| 39 | E | Emerald Green | 5-1718323-1 | 1418882-1 | 1718329-1 1813123-1 1813123-2 | 1718328-1 | 5-1718321-3 |

Sealed 2.8 mm Tab Housings

Technical Features

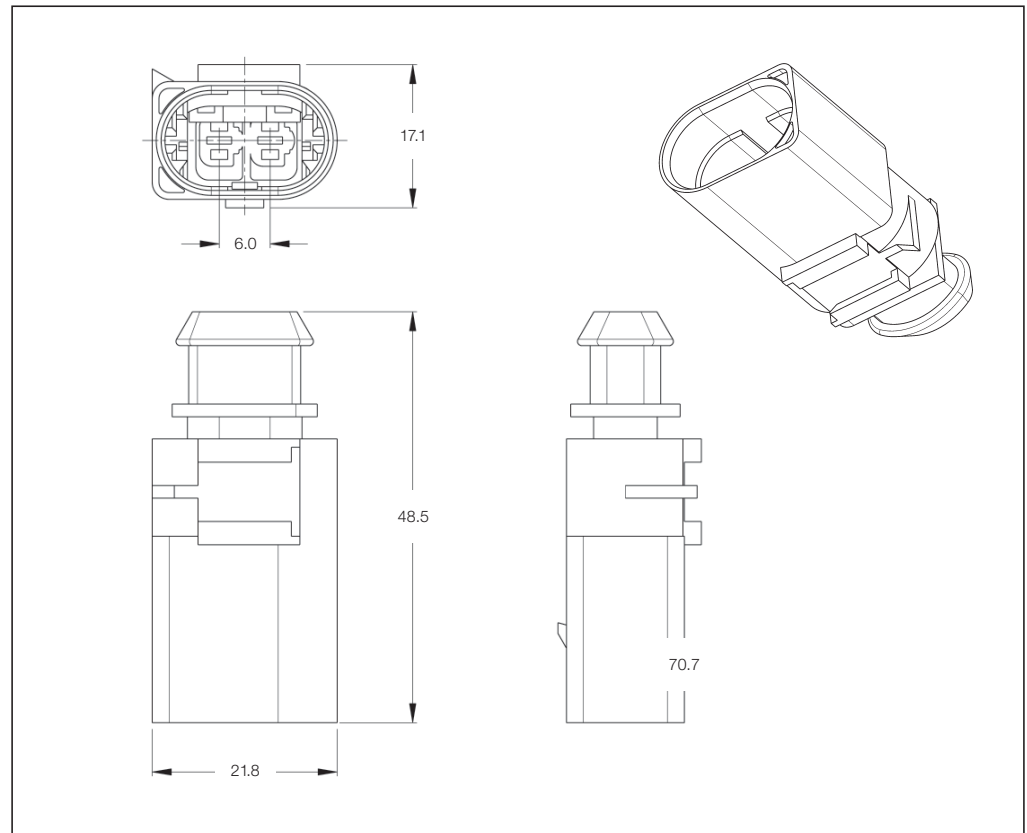
No. of Positions:
2 Positions

Housing Material:
PA 66 GF13

Wire Size Range:
2.5 mm² FLR Max.

Product Specification:
108-18180 (Tab Housing)

Application Specification:
114-18131 (Tab Housing)



Sealed Tab Housings

| No. of Positions | Keying Options | Housing Color | Part Numbers | | | |
|------------------|----------------|---------------|--------------|------------------|---------------------------|-------------------|
| | | | Tab Housing | Package Quantity | Mating Receptacle Housing | Mating PCB Header |
| 2 | A | Black | 1-966867-1 | – | 1-1355200-1 | – |
| | B | Dark Brown | 1-966867-2 | – | 2-1355200-1 | – |

Sealed 1.5 mm/2.8 mm Tab Housings

Technical Features

No. of Positions:
 12 Positions

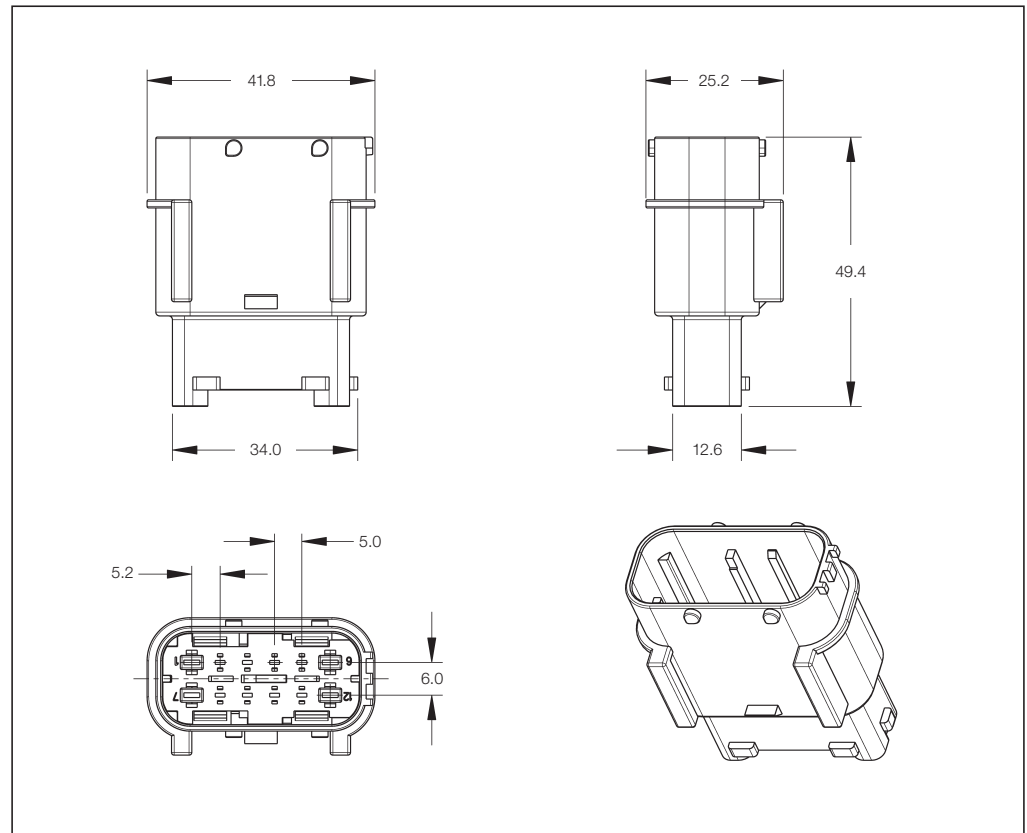
Housing Material:
 PA 66 GF

Wire Size Range:
 4x 2.5 mm² FLR Max.
 8x 1.0 mm² FLR Max.

Extraction Tools:
 Part No. **539960-1**
 Part No. **1-1579007-6**
 dependent on the contact

Product Specification:
 108-20242

Application Specification:
 411-20073



Sealed Tab Housings

| No. of Positions | Keying Options | Housing Color | Part Numbers | | | |
|------------------|-------------------------------|---------------|--------------|------------------|---------------------------|-------------------|
| | | | Tab Housing | Package Quantity | Mating Receptacle Housing | Mating PCB Header |
| 12 | A Panel Hook on Left Side | Black | 284844-1 | 500 | 284848-1 | - |
| | A Panel Hook on Right Side | Black | 284844-3 | 500 | 284848-3 | - |
| | B Panel Hook on Left Side | Gray | 284844-2 | 500 | 284848-2 | - |
| | B Panel Hook on Right Side | Gray | 284844-4 | 500 | 284848-4 | - |

Sealed 1.5 mm/2.8 mm Tab Housings

Technical Features

No. of Positions:
 12 Positions

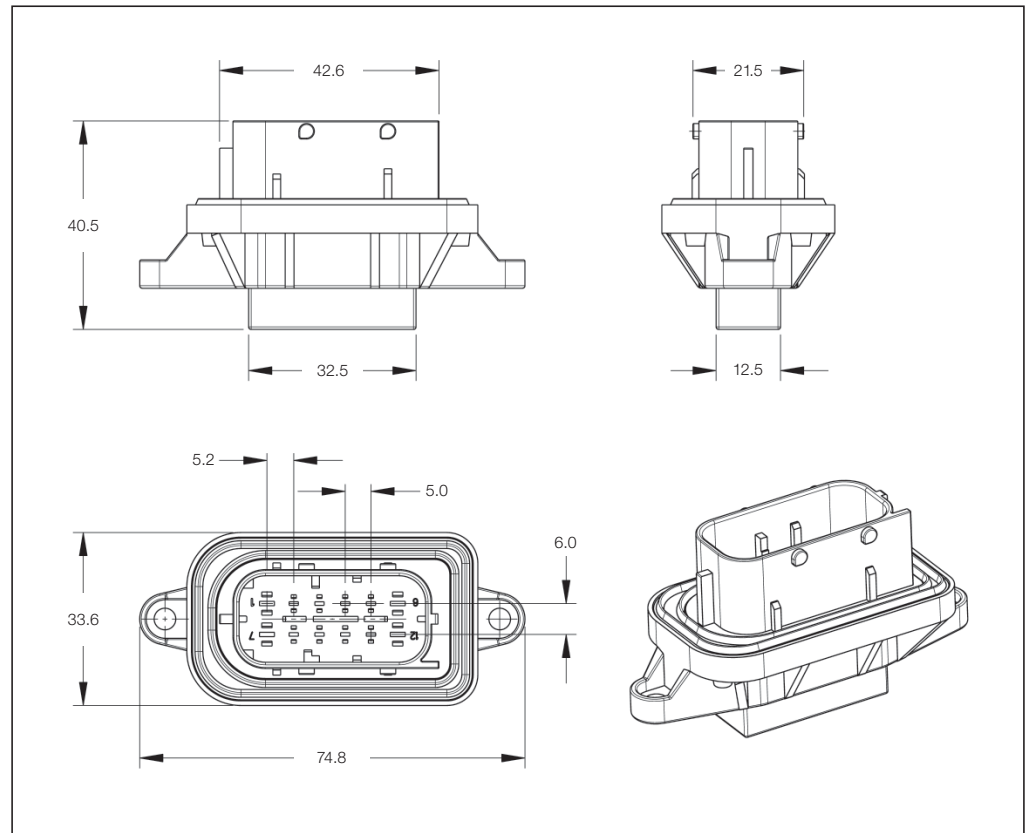
Housing Material:
 PA 66 GF

Wire Size Range:
 4x 2.5 mm² FLR Max.
 8x 1.5 mm² FLR Max.

Extraction Tools:
 Part No. **539960-1**
 Part No. **1-1579007-6**
 dependent on the contact

Product Specification:
 108-20264

Application Specification:
 —



Sealed Tab Housings

| No. of Positions | Keying Options | Housing Color | Part Numbers | | | |
|------------------|----------------|---------------|-------------------------|------------------|---------------------------|-------------------|
| | | | Tab Housing with Flange | Package Quantity | Mating Receptacle Housing | Mating PCB Header |
| 12 | A | Black | 1745045-1 | 350 | 284848-1 | — |

Sealed 1.5 mm/2.8 mm Tab Housings

Technical Features

No. of Positions:

20–24 Positions

Housing Material:

PA 66 GF

Wire Size Range:

8x 2.5 mm² FLR Max.

16x 1.0 mm² FLR Max.

Extraction Tools:

Part No. **539960-1**

Part No. **1-1579007-6**

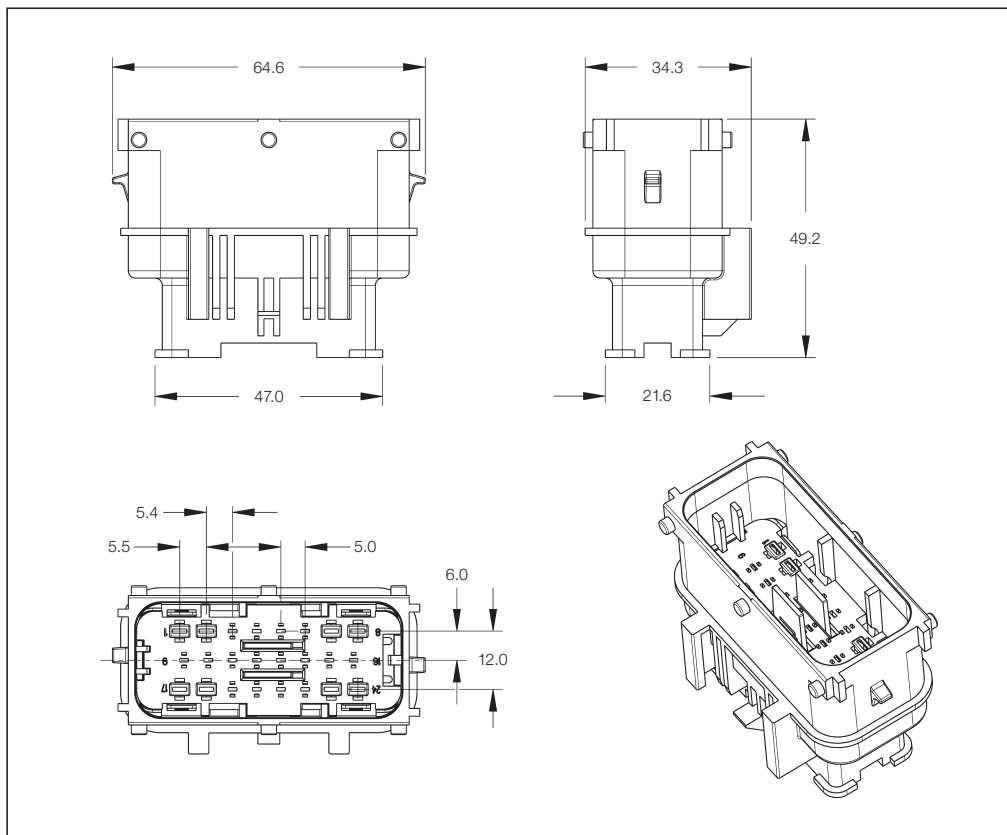
dependent on the contact

Product Specification:

108-20262

Application Specification:

411-20100



Sealed Mixed Tab Housings

| No. of Positions | Keying Options | Housing Color | Part Numbers | | | |
|------------------|----------------|---------------|-------------------------|------------------|---------------------------|-------------------|
| | | | Tab Housing with Flange | Package Quantity | Mating Receptacle Housing | Mating PCB Header |
| 20 | A | Black | 1745044-1 | 225 | 1745043-1 | – |
| | | | | | 1745043-2 | – |
| 24 | A | Gray | 1745044-2 | 225 | 1745043-3 | – |
| | | | | | 1745043-4 | – |

Sealed 9.5 mm Tab Housings

Technical Features

No. of Positions:
2 Positions

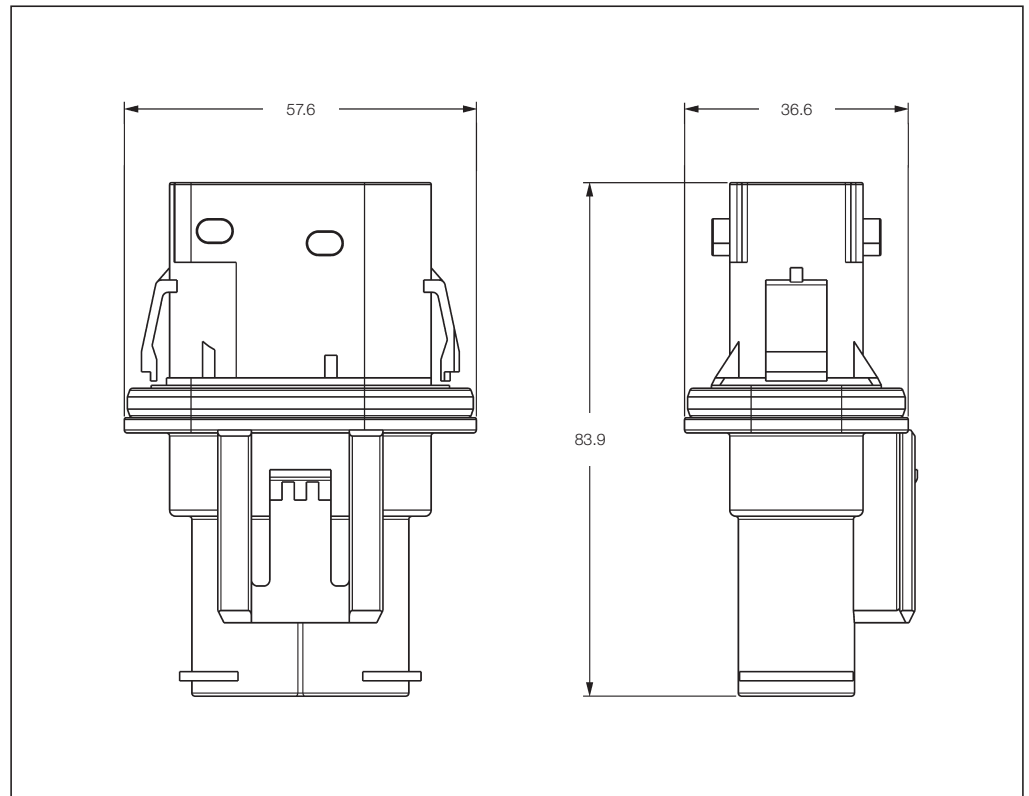
Housing Material:
PBT-GF13

Wire Size Range:
10.0 mm² FLK Max.

Extraction Tool:
Part No. **1-1579007-7**

Product Specification:
108-18809

Application Specification:
114-18501



Sealed 9.5 mm Tab Housings

| No. of Positions | Keying Options | Housing Color | Part Numbers | | | |
|------------------|----------------|---------------|---|------------------|---------------------------|-------------------|
| | | | Tab Housing | Package Quantity | Mating Receptacle Housing | Mating PCB Header |
| 2 | - | Black | 1394026-2 | - | 1355328-1 | - |
| | | | 1394026-1 (with Sealing for Wall Mounting) | | | |

Sealed 2.8 mm Tab Housings – Printed Circuit Board Headers

Technical Features

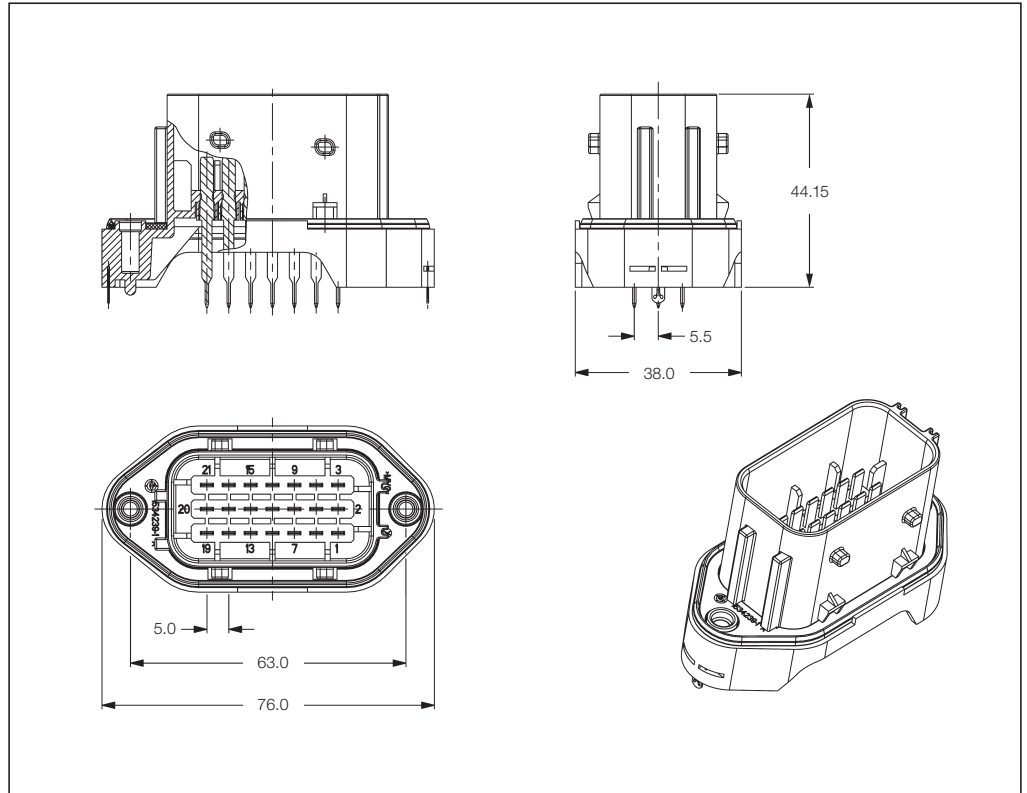
No. of Positions:
 21 Positions

Housing Material:
 PBT-GF20

Material and Finish:
 CuSn, silver plated

Product Specification:
 108-18696

Application Specification:
 —



Sealed Tab Housings – Printed Circuit Board Headers

| No. of Positions | Housing Color | Part Numbers | | |
|------------------|---------------|---------------------|------------------|---------------------------|
| | | Vertical PCB Header | Package Quantity | Mating Receptacle Housing |
| 21 | Black | 1534238-1 | – | 1-1534127-1 |

Sealed 2.8 mm Tab Housings – Printed Circuit Board Headers

Technical Features

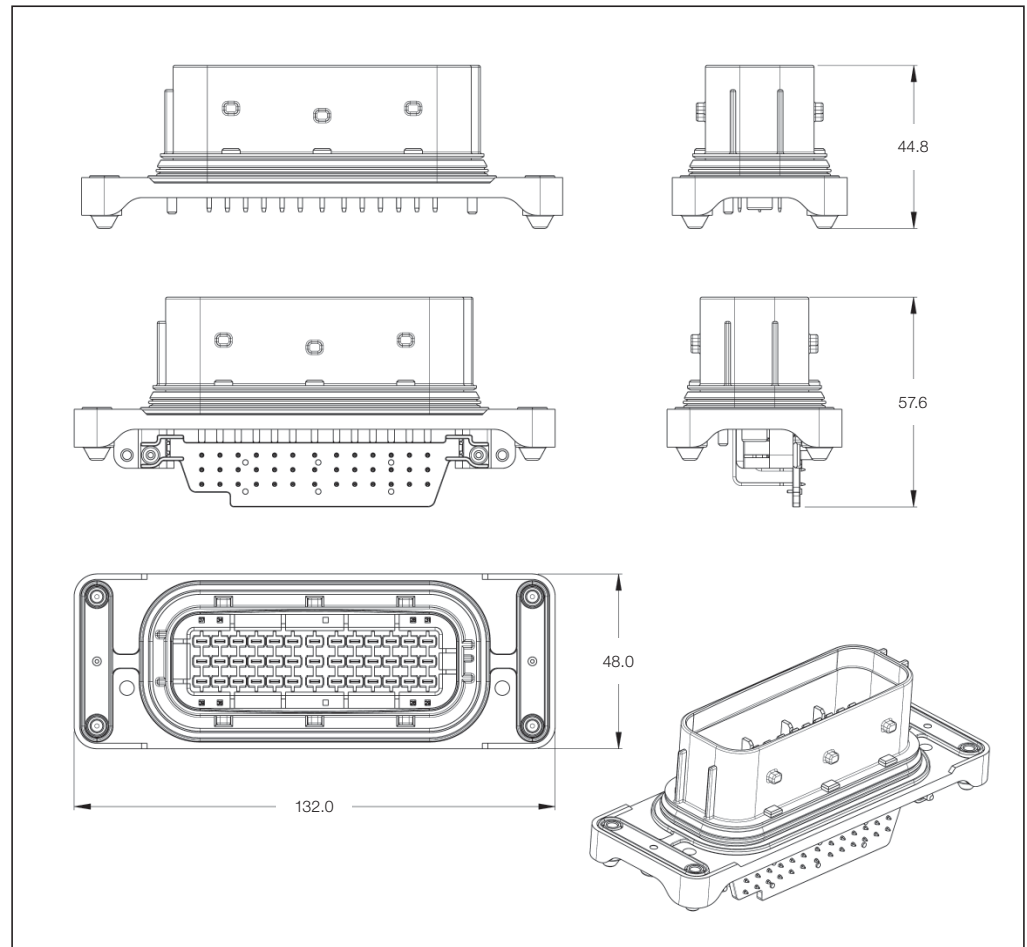
No. of Positions:
 39 Positions

Housing Material:
 PBT-GF20

Material and Finish:
 CuSn, silver plated

Product Specification:
 108-18946

Application Specification:
 114-18660



Sealed Mixed Tab Housings – Printed Circuit Board Headers

| No. of Positions | Keying Options | Housing Color | Part Numbers | | |
|------------------|----------------|---------------|---------------------|-------------------|---------------------------|
| | | | Vertical PCB Header | Angled PCB Header | Mating Receptacle Housing |
| 39 | E | Emerald Green | 5-1418363-1 | 5-1418363-3 | 5-1718321-3 |

Sealed 1.5 mm/2.8 mm Tab Housings – Printed Circuit Board Headers

Technical Features

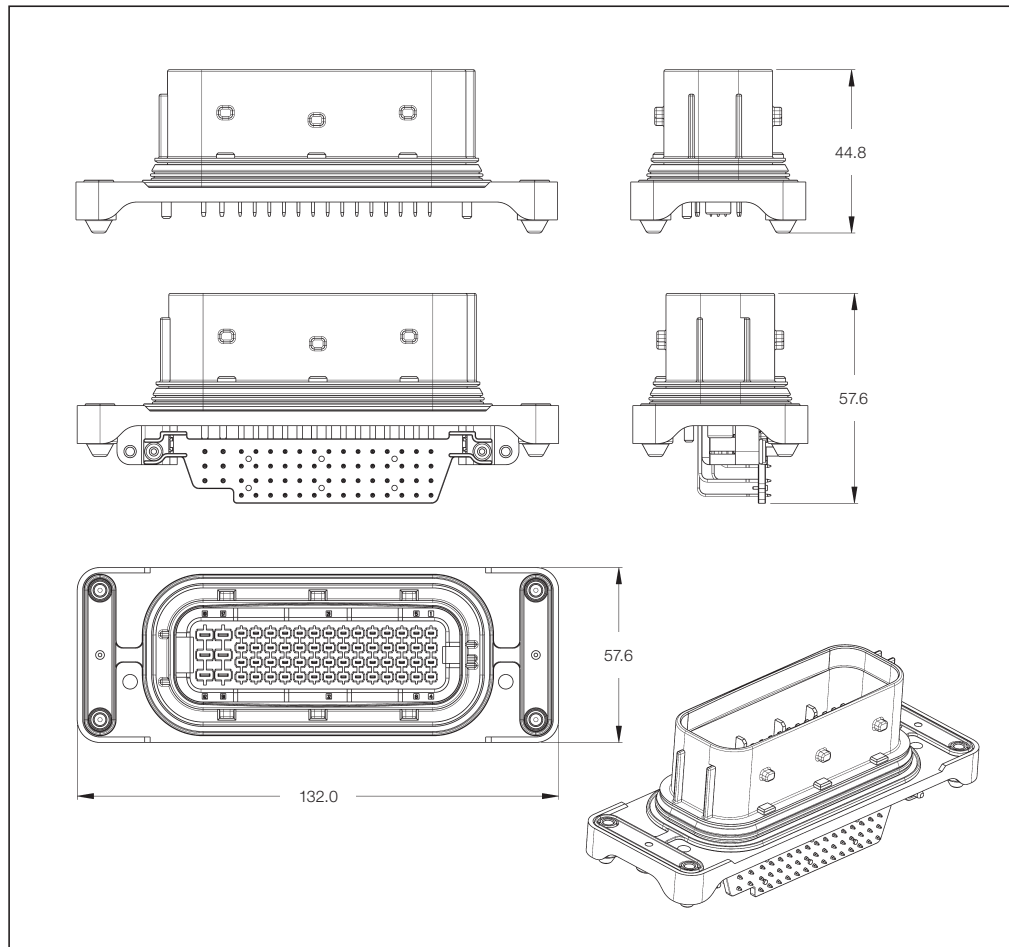
No. of Positions:
62 Positions

Housing Material:
PBT-GF20

Material and Finish:
CuSn, silver plated

Product Specification:
108-18946

Application Specification:
114-18660



Sealed Mixed Tab Housings – Printed Circuit Board Headers

| No. of Positions | Keying Options | Housing Color | Part Numbers | | |
|------------------|----------------|---------------|---------------------|-------------------|---------------------------|
| | | | Vertical PCB Header | Angled PCB Header | Mating Receptacle Housing |
| 62 | A | Black | 1-1418362-1 | 1-1418362-3 | 1-1418883-1 & 1-1823498-1 |
| | B | Gray | 2-1418362-1 | 2-1418362-3 | 2-1418883-1 & 2-1823498-1 |
| | C | Blue | *) | *) | 3-1418883-1 |

*) On request.

Sealed 1.5 mm Tab Housings – Printed Circuit Board Headers

0No. of Positions:

92 Positions

Housing Material:

PBT-GF20

Material and Finish:

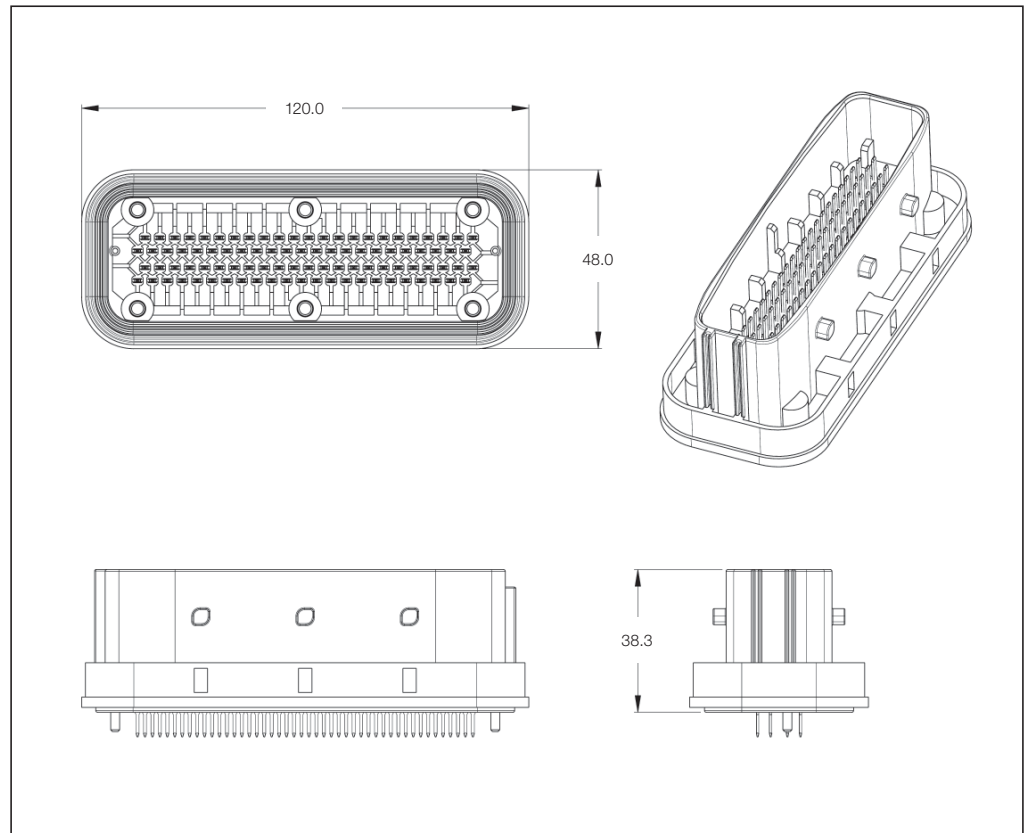
CuSn, silver plated

Product Specification:

108-94174

Application Specification:

114-18963



Sealed Tab Housings – Printed Circuit Board Headers

| No. of Positions | Keying Options | Housing Color | Part Numbers | | |
|------------------|----------------|---------------|---------------------|------------------|---------------------------|
| | | | Vertical PCB Header | Package Quantity | Mating Receptacle Housing |
| 92 | A | Black | 1-1452228-9 | – | 1703998-1 |

Numerical Index

| Part Number | Page | Part Number | Page | Part Number | Page | Part Number | Page |
|-------------|---|-------------|------------|-------------|------|-------------|------|
| 100132-1 | 3-20 | 828922-1 | 3-14, 3-15 | 2-962918-1 | 3-18 | 1-963743-1 | 3-18 |
| 284844-1 | 3-67, 3-88 | 828922-2 | 3-15 | 2-962918-2 | 3-18 | 1-963743-2 | 3-18 |
| 284844-2 | 3-67, 3-88 | 828985-1 | 3-14 | 1-962919-1 | 3-18 | 2-963743-1 | 3-18 |
| 284844-3 | 3-67, 3-88 | 828986-1 | 3-14 | 1-962919-2 | 3-18 | 2-963743-2 | 3-18 |
| 284844-4 | 3-67, 3-88 | 929039-1 | 3-40, 3-61 | 2-962919-1 | 3-18 | 1-963744-1 | 3-18 |
| 284848-1 | 3-67, 3-88, 3-89 | 929092-1 | 3-42 | 2-962919-2 | 3-18 | 1-963744-2 | 3-18 |
| 284848-2 | 3-67, 3-88 | 1-929150-1 | 3-24 | 963243-1 | 3-20 | 2-963744-1 | 3-18 |
| 284848-3 | 3-67, 3-88 | 1-929151-1 | 3-24 | 963244-1 | 3-20 | 2-963744-2 | 3-18 |
| 284848-4 | 3-67, 3-88 | 1-929151-2 | 3-24 | 963245-1 | 3-20 | 1-963745-1 | 3-12 |
| 284853-1 | 3-32, 3-45 | 1-929152-1 | 3-24 | 963292-1 | 3-15 | 1-963745-2 | 3-12 |
| 284853-2 | 3-32, 3-45 | 1-929153-1 | 3-24 | 963293-1 | 3-15 | 1-963745-3 | 3-12 |
| 284853-3 | 3-32, 3-45 | 953717-1 | 3-65 | 963294-1 | 3-15 | 2-963745-1 | 3-12 |
| 284853-4 | 3-32, 3-45 | 1-962841-1 | 3-12 | 963530-1 | 3-8 | 2-963745-2 | 3-12 |
| 284858-1 | 3-32, 3-45 | 1-962841-2 | 3-12 | 963531-1 | 3-8 | 2-963745-3 | 3-12 |
| 284858-2 | 3-32, 3-45 | 1-962841-3 | 3-12 | 1-963734-1 | 3-18 | 1-963746-1 | 3-12 |
| 284858-3 | 3-32, 3-45 | 2-962841-1 | 3-12 | 1-963734-2 | 3-18 | 1-963746-2 | 3-12 |
| 284858-4 | 3-32, 3-45 | 2-962841-2 | 3-12 | 2-963734-1 | 3-18 | 1-963746-3 | 3-12 |
| 284875-1 | 3-33, 3-46 | 2-962841-3 | 3-12 | 2-963734-2 | 3-18 | 2-963746-1 | 3-12 |
| 284875-2 | 3-33, 3-46 | 1-962842-1 | 3-12 | 1-963735-1 | 3-18 | 2-963746-2 | 3-12 |
| 284875-3 | 3-33, 3-46 | 1-962842-2 | 3-12 | 1-963735-2 | 3-18 | 2-963746-3 | 3-12 |
| 284875-4 | 3-33, 3-46 | 1-962842-3 | 3-12 | 2-963735-1 | 3-18 | 1-963748-1 | 3-12 |
| 284879-1 | 3-33, 3-46 | 2-962842-1 | 3-12 | 2-963735-2 | 3-18 | 1-963748-2 | 3-12 |
| 284879-2 | 3-33, 3-46 | 2-962842-2 | 3-12 | 1-963736-1 | 3-18 | 1-963748-3 | 3-12 |
| 284879-3 | 3-33, 3-46 | 2-962842-3 | 3-12 | 1-963736-2 | 3-18 | 2-963748-1 | 3-12 |
| 284879-4 | 3-33, 3-46 | 1-962845-1 | 3-18 | 2-963736-1 | 3-18 | 2-963748-2 | 3-12 |
| 539623-1 | 3-18 | 1-962845-2 | 3-18 | 2-963736-2 | 3-18 | 2-963748-3 | 3-12 |
| 539635-1 | 3-18 | 2-962845-1 | 3-18 | 1-963737-1 | 3-18 | 1-963749-1 | 3-12 |
| 539663-2 | 3-7 | 2-962845-2 | 3-18 | 1-963737-2 | 3-18 | 1-963749-2 | 3-12 |
| 539757-2 | 3-18 | 1-962846-1 | 3-18 | 2-963737-1 | 3-18 | 1-963749-3 | 3-12 |
| 539759-2 | 3-18 | 1-962846-2 | 3-18 | 2-963737-2 | 3-18 | 2-963749-1 | 3-12 |
| 539783-1 | 3-23, 3-24 | 2-962846-1 | 3-18 | 1-963738-1 | 3-18 | 2-963749-2 | 3-12 |
| 539783-5 | 3-23, 3-24 | 2-962846-2 | 3-18 | 1-963738-2 | 3-18 | 2-963749-3 | 3-12 |
| 539783-6 | 3-23, 3-24 | 1-962915-1 | 3-12 | 2-963738-1 | 3-18 | 963764-1 | 3-25 |
| 539783-7 | 3-24 | 1-962915-2 | 3-12 | 2-963738-2 | 3-18 | 963764-2 | 3-25 |
| 539783-8 | 3-24 | 1-962915-3 | 3-12 | 1-963739-1 | 3-18 | 963765-1 | 3-25 |
| 539783-9 | 3-24 | 2-962915-1 | 3-12 | 1-963739-2 | 3-18 | 963765-2 | 3-25 |
| 1-539783-0 | 3-24 | 2-962915-2 | 3-12 | 2-963739-1 | 3-18 | 963766-1 | 3-25 |
| 539960-1 | 3-7, 3-45, 3-46, 3-88, 3-89, 3-90 | 2-962915-3 | 3-12 | 2-963739-2 | 3-18 | 963766-2 | 3-25 |
| 539971-1 | 3-24, 3-44, 3-62 | 1-962916-1 | 3-12 | 1-963740-1 | 3-18 | 963767-1 | 3-25 |
| 734532-1 | 3-25 | 1-962916-2 | 3-12 | 1-963740-2 | 3-18 | 963767-2 | 3-25 |
| 734533-1 | 3-25 | 1-962916-3 | 3-12 | 2-963740-1 | 3-18 | 963768-1 | 3-25 |
| 734538-1 | 3-12 | 2-962916-1 | 3-12 | 2-963740-2 | 3-18 | 963768-2 | 3-25 |
| 734688-1 | 3-18 | 2-962916-2 | 3-12 | 1-963741-1 | 3-18 | 963768-3 | 3-25 |
| 828904-1 | 3-14 | 2-962916-3 | 3-12 | 1-963741-2 | 3-18 | 963769-1 | 3-25 |
| 828904-2 | 3-14 | 1-962917-1 | 3-18 | 2-963741-1 | 3-18 | 963769-2 | 3-25 |
| 828905-1 | 3-14 | 1-962917-2 | 3-18 | 2-963741-2 | 3-18 | 963769-3 | 3-25 |
| | | 2-962917-1 | 3-18 | 1-963742-1 | 3-18 | 963770-1 | 3-25 |
| | | 2-962917-2 | 3-18 | 1-963742-2 | 3-18 | 963770-2 | 3-25 |
| | | 1-962918-1 | 3-18 | 2-963742-1 | 3-18 | 963771-1 | 3-25 |
| | | 1-962918-2 | 3-18 | 2-963742-2 | 3-18 | 963771-2 | 3-25 |

Numerical Index

| Part Number | Page | Part Number | Page | Part Number | Page | Part Number | Page |
|-------------|------|-------------|------|-------------|------------|-------------|------------|
| 963772-1 | 3-25 | 964267-3 | 3-7 | 964313-1 | 3-19 | 1-967630-1 | 3-39, 3-49 |
| 963772-2 | 3-25 | 964268-1 | 3-7 | 964314-1 | 3-19 | 2-967630-1 | 3-39, 3-49 |
| 963773-1 | 3-25 | 964268-2 | 3-7 | 964971-1 | 3-8 | 3-967630-1 | 3-39, 3-49 |
| 963773-2 | 3-25 | 964268-3 | 3-7 | 964972-1 | 3-8 | 967631-1 | 3-49 |
| 963774-1 | 3-25 | 964269-2 | 3-7 | 1-965641-1 | 3-39, 3-49 | 967632-1 | 3-49 |
| 963774-2 | 3-25 | 964269-3 | 3-7 | 2-965641-1 | 3-39, 3-49 | 967633-1 | 3-49 |
| 963775-1 | 3-25 | 964270-2 | 3-7 | 3-965641-1 | 3-39, 3-49 | 967634-1 | 3-49 |
| 963775-2 | 3-25 | 964270-3 | 3-7 | 4-965641-1 | 3-39, 3-49 | 967635-1 | 3-49 |
| 1-963860-1 | 3-12 | 1-964291-3 | 3-13 | 1-965982-1 | 3-12 | 967652-1 | 3-21 |
| 1-963860-2 | 3-12 | 2-964291-1 | 3-13 | 1-965982-3 | 3-12 | 1-968050-1 | 3-18 |
| 1-963860-3 | 3-12 | 1-964292-3 | 3-13 | 1-965983-1 | 3-12 | 2-968050-1 | 3-18 |
| 2-963860-1 | 3-12 | 2-964292-1 | 3-13 | 1-965983-3 | 3-12 | 1-968051-1 | 3-18 |
| 2-963860-2 | 3-12 | 1-964293-3 | 3-13 | 1-965984-1 | 3-18 | 2-968051-1 | 3-18 |
| 2-963860-3 | 3-12 | 2-964293-1 | 3-13 | 2-965984-1 | 3-18 | 968271-1 | 3-49 |
| 1-963861-1 | 3-12 | 2-964293-2 | 3-13 | 1-965985-1 | 3-18 | 1-968849-1 | 3-9 |
| 1-963861-2 | 3-12 | 1-964294-3 | 3-13 | 2-965985-1 | 3-18 | 1-968849-2 | 3-9 |
| 1-963861-3 | 3-12 | 2-964294-1 | 3-13 | 966140-1 | 3-39, 3-57 | 1-968849-3 | 3-9 |
| 2-963861-1 | 3-12 | 2-964294-2 | 3-13 | 966140-2 | 3-39, 3-57 | 1-968851-1 | 3-9 |
| 2-963861-2 | 3-12 | 1-964295-3 | 3-13 | 966140-3 | 3-39, 3-57 | 1-968851-2 | 3-9 |
| 2-963861-3 | 3-12 | 2-964295-1 | 3-13 | 966140-4 | 3-39, 3-57 | 1-968851-3 | 3-9 |
| 963898-1 | 3-6 | 2-964295-2 | 3-13 | 966140-5 | 3-39, 3-57 | 1-968853-1 | 3-9 |
| 963898-2 | 3-6 | 1-964296-3 | 3-13 | 966140-6 | 3-39, 3-57 | 1-968853-3 | 3-9 |
| 963898-3 | 3-6 | 2-964296-1 | 3-13 | 9-966140-1 | 3-57 | 1-968855-1 | 3-9 |
| 963899-1 | 3-6 | 2-964296-2 | 3-13 | 9-966140-2 | 3-57 | 1-968855-2 | 3-9 |
| 963899-2 | 3-6 | 1-964297-3 | 3-13 | 9-966140-3 | 3-57 | 1-968855-3 | 3-9 |
| 963899-3 | 3-6 | 2-964297-1 | 3-13 | 9-966140-4 | 3-57 | 1-968857-1 | 3-9 |
| 963900-1 | 3-6 | 1-964298-3 | 3-13 | 9-966140-5 | 3-57 | 1-968857-3 | 3-9 |
| 963900-2 | 3-6 | 2-964298-1 | 3-13 | 9-966140-6 | 3-57 | 1-968859-1 | 3-9 |
| 963900-3 | 3-6 | 1-964299-3 | 3-13 | 1-966867-1 | 3-59, 3-87 | 1-968859-3 | 3-9 |
| 963901-1 | 3-6 | 2-964299-1 | 3-13 | 1-966867-2 | 3-59, 3-87 | 1-968872-1 | 3-9 |
| 963901-2 | 3-6 | 4-964299-1 | 3-13 | 967116-1 | 3-58 | 1-968872-2 | 3-9 |
| 963901-3 | 3-6 | 1-964300-3 | 3-13 | 967116-2 | 3-58 | 1-968872-3 | 3-9 |
| 963902-1 | 3-6 | 2-964300-1 | 3-13 | 1-967588-1 | 3-24 | 1-968873-1 | 3-9 |
| 963902-2 | 3-6 | 4-964300-1 | 3-13 | 1-967589-1 | 3-24 | 1-968873-2 | 3-9 |
| 963902-3 | 3-6 | 1-964301-3 | 3-13 | 1-967589-2 | 3-24 | 1-968873-3 | 3-9 |
| 963903-1 | 3-6 | 2-964301-1 | 3-13 | 1-967590-1 | 3-24 | 1-968874-1 | 3-9 |
| 963903-2 | 3-6 | 1-964302-3 | 3-13 | 1-967591-1 | 3-24 | 1-968874-3 | 3-9 |
| 963903-3 | 3-6 | 2-964302-1 | 3-13 | 1-967626-1 | 3-39, 3-49 | 1-968875-1 | 3-9 |
| 963904-1 | 3-6 | 964303-1 | 3-19 | 2-967626-1 | 3-39, 3-49 | 1-968875-2 | 3-9 |
| 963904-2 | 3-6 | 964304-1 | 3-19 | 3-967626-1 | 3-39, 3-49 | 1-968875-3 | 3-9 |
| 963904-3 | 3-6 | 964305-1 | 3-19 | 4-967626-1 | 3-39, 3-49 | 1-968876-1 | 3-9 |
| 963905-1 | 3-6 | 964305-3 | 3-19 | 1-967627-1 | 3-39, 3-49 | 1-968876-3 | 3-9 |
| 963905-2 | 3-6 | 964306-1 | 3-19 | 2-967627-1 | 3-39, 3-49 | 1-968877-1 | 3-9 |
| 963905-3 | 3-6 | 964306-3 | 3-19 | 3-967627-1 | 3-39, 3-49 | 1-968877-3 | 3-9 |
| 964265-2 | 3-7 | 964307-1 | 3-19 | 4-967627-1 | 3-39, 3-49 | 1-968880-1 | 3-9 |
| 964265-3 | 3-7 | 964308-1 | 3-19 | 1-967628-1 | 3-39, 3-49 | 1-968880-3 | 3-9 |
| 964266-2 | 3-7 | 964309-1 | 3-19 | 2-967628-1 | 3-39, 3-49 | 1-968882-1 | 3-9 |
| 964266-3 | 3-7 | 964310-1 | 3-19 | 3-967628-1 | 3-39, 3-49 | 1-968882-3 | 3-9 |
| 964267-1 | 3-7 | 964311-1 | 3-19 | 4-967628-1 | 3-39, 3-49 | 1-968895-1 | 3-9 |
| 964267-2 | 3-7 | 964312-1 | 3-19 | 1-967629-1 | 3-39, 3-49 | 1-968895-3 | 3-9 |

Numerical Index

| Part Number | Page | Part Number | Page | Part Number | Page | Part Number | Page |
|-------------|------------------|-------------|------------------------------|-------------|------|-------------|------------|
| 1-968896-1 | 3-9 | 7-968972-1 | 3-39, 3-49, 3-57 | 1241376-1 | 3-4 | 1241402-1 | 3-17 |
| 1-968896-3 | 3-9 | | | 1241376-2 | 3-4 | 1241402-3 | 3-17 |
| 968899-1 | 3-60 | 8-968972-1 | 3-39, 3-49, 3-57 | 1241377-1 | 3-4 | 1241403-1 | 3-17 |
| 968899-2 | 3-60 | | | 1241377-2 | 3-4 | 1241403-3 | 3-17 |
| 968899-3 | 3-60 | 5-968973-1 | 3-39, 3-49, 3-57 | 1241378-1 | 3-4 | 1241404-1 | 3-17 |
| 968899-4 | 3-60 | | | 1241378-2 | 3-4 | 1241404-3 | 3-17 |
| 968925-1 | 3-63 | 6-968973-1 | 3-39, 3-49, 3-57 | 1241378-3 | 3-4 | 1241405-1 | 3-17 |
| 968925-2 | 3-63 | | | 1241379-1 | 3-4 | 1241405-3 | 3-17 |
| 968925-3 | 3-63 | 7-968973-1 | 3-39, 3-49, 3-57 | 1241379-2 | 3-4 | 1241406-1 | 3-17 |
| 968925-4 | 3-63 | | | 1241379-3 | 3-4 | 1241406-3 | 3-17 |
| 1-968946-1 | 3-12 | 8-968973-1 | 3-39, 3-49, 3-57 | 1241380-1 | 3-4 | 1241407-1 | 3-17 |
| 1-968946-2 | 3-12 | | | 1241380-2 | 3-4 | 1241407-3 | 3-17 |
| 2-968946-1 | 3-12 | 5-968974-1 | 3-39, 3-49 | 1241380-3 | 3-4 | 1241408-1 | 3-17 |
| 2-968946-2 | 3-12 | 6-968974-1 | 3-39, 3-49, 3-57 | 1-1241380-2 | 3-4 | 1241409-1 | 3-17 |
| 3-968946-1 | 3-12 | | | 1241381-1 | 3-4 | 1241410-1 | 3-17 |
| 1-968947-1 | 3-12 | 7-968974-1 | 3-39, 3-49, 3-57 | 1241381-2 | 3-4 | 1241411-1 | 3-17 |
| 1-968947-2 | 3-12 | | | 1241381-3 | 3-4 | 1241412-1 | 3-17 |
| 2-968947-1 | 3-12 | 8-968974-1 | 3-39, 3-49, 3-57 | 1-1241381-2 | 3-4 | 1241412-3 | 3-17 |
| 2-968947-2 | 3-12 | | | 1241386-1 | 3-11 | 1241413-1 | 3-17 |
| 3-968947-1 | 3-12 | 6-968975-1 | 3-39, 3-49, 3-50, 3-57 | 1241386-2 | 3-11 | 1241413-3 | 3-17 |
| 1-968965-1 | 3-12 | | | 1241387-1 | 3-11 | 1241414-1 | 3-17 |
| 1-968965-2 | 3-12 | 7-968975-1 | 3-39, 3-49, 3-50, 3-57 | 1241387-2 | 3-11 | 1241414-3 | 3-17 |
| 2-968965-1 | 3-12 | | | 1241388-1 | 3-11 | 1241415-1 | 3-17 |
| 2-968965-2 | 3-12 | 8-968975-1 | 3-39, 3-49, 3-50, 3-51, 3-57 | 1241388-2 | 3-11 | 1241415-3 | 3-17 |
| 3-968965-1 | 3-12 | | | 1241389-1 | 3-11 | 1241416-1 | 3-17 |
| 1-968966-1 | 3-12 | | | 1241389-2 | 3-11 | 1241416-3 | 3-17 |
| 1-968966-2 | 3-12 | 1-968976-9 | 3-39, 3-49 | 1241390-1 | 3-11 | 1241417-1 | 3-17 |
| 2-968966-1 | 3-12 | 2-968976-9 | 3-39, 3-49 | 1241390-2 | 3-11 | 1241417-3 | 3-17 |
| 2-968966-2 | 3-12 | 3-968976-9 | 3-39, 3-49 | 1241391-1 | 3-11 | 1241418-4 | 3-17 |
| 3-968966-1 | 3-12 | 1-968977-9 | 3-39, 3-49 | 1241391-2 | 3-11 | 1241419-4 | 3-17 |
| 5-968970-1 | 3-39, 3-49, 3-57 | 2-968977-9 | 3-39, 3-49 | 1241392-1 | 3-11 | 1241846-1 | 3-7 |
| | | 3-968977-9 | 3-39, 3-49 | 1241392-2 | 3-11 | 1241846-2 | 3-7 |
| 6-968970-1 | 3-39, 3-49, 3-57 | 969007-1 | 3-19 | 1241392-3 | 3-11 | 1241846-3 | 3-7 |
| | | 969008-1 | 3-19 | 1241393-1 | 3-11 | 1241847-1 | 3-7 |
| 7-968970-1 | 3-39, 3-49, 3-57 | 969028-2 | 3-7 | 1241393-2 | 3-11 | 1241847-2 | 3-7 |
| | | 969028-3 | 3-7 | 1241393-3 | 3-11 | 1241847-3 | 3-7 |
| 8-968970-1 | 3-39, 3-49, 3-57 | 969029-2 | 3-7 | 1241394-1 | 3-11 | 1-1241930-1 | 3-24 |
| | | 969029-3 | 3-7 | 1241394-2 | 3-11 | 1-1241938-1 | 3-24 |
| 5-968971-1 | 3-39, 3-49, 3-57 | 969079-2 | 3-7 | 1241394-3 | 3-11 | 1-1355200-1 | 3-59, 3-87 |
| | | 969079-3 | 3-7 | 1241395-1 | 3-11 | 2-1355200-1 | 3-59, 3-87 |
| 6-968971-1 | 3-39, 3-49, 3-57 | 969080-2 | 3-7 | 1241395-2 | 3-11 | 2-1355200-2 | 3-59 |
| | | 969080-3 | 3-7 | 1241395-3 | 3-11 | 1355289-1 | 3-44, 3-52 |
| 7-968971-1 | 3-39, 3-49, 3-57 | 1241372-1 | 3-4 | 1241396-1 | 3-11 | 1355289-2 | 3-44, 3-52 |
| | | 1241372-2 | 3-4 | 1241396-2 | 3-11 | 1355289-3 | 3-44, 3-52 |
| 8-968971-1 | 3-39, 3-49, 3-57 | 1241373-1 | 3-4 | 1241396-3 | 3-11 | 1355289-4 | 3-44, 3-52 |
| | | 1241373-2 | 3-4 | 1241397-1 | 3-11 | 1355290-1 | 3-44, 3-52 |
| 5-968972-1 | 3-39, 3-49, 3-57 | 1241374-1 | 3-4 | 1241397-2 | 3-11 | 1355328-1 | 3-62, 3-91 |
| | | 1241374-2 | 3-4 | 1241397-3 | 3-11 | 1355437-1 | 3-26 |
| 6-968972-1 | 3-39, 3-49, 3-57 | 1241375-1 | 3-4 | 1241400-1 | 3-17 | 1355437-2 | 3-26 |
| | | 1241375-2 | 3-4 | 1241401-1 | 3-17 | 1355437-3 | 3-26 |

Numerical Index

| Part Number | Page | Part Number | Page | Part Number | Page | Part Number | Page |
|-------------|------------------------------------|-------------|--|-------------|------------------------------------|-------------|--|
| 1-1355833-1 | 3-10 | 2-1534127-1 | 3-73, 3-83 | 1-1579007-6 | 3-83, 3-84, 3-85, 3-86, | 1718488-1 | 3-36, 3-38, 3-47, 3-56 |
| 1-1355849-1 | 3-23 | 3-1534127-1 | 3-73, 3-83 | | 3-88, 3-89, 3-90 | 1718489-1 | 3-35, 3-38, 3-47, 3-48, 3-54, 3-56 |
| 1-1355876-1 | 3-10 | 4-1534127-1 | 3-73, 3-83 | 1-1579007-7 | 3-25, 3-51, 3-91 | 1718490-1 | 3-34, 3-37, 3-48, 3-54 |
| 1-1355877-1 | 3-10 | 1534160-1 | 3-5 | 1-1670615-1 | 3-37, 3-54 | 1718490-2 | 3-34, 3-37, 3-48, 3-54 |
| 1-1355880-1 | 3-10 | 1534161-1 | 3-5 | 1-1670615-2 | 3-38, 3-56 | 1-1718491-1 | 3-38, 3-47 |
| 1394026-1 | 3-62, 3-91 | 1534162-1 | 3-5 | 1-1670876-1 | 3-40 | 1-1718491-2 | 3-38, 3-47 |
| 1394026-2 | 3-62, 3-91 | 1534163-1 | 3-5 | 1-1670877-1 | 3-40 | 1-1718491-3 | 3-38, 3-47 |
| 9-1394049-1 | 3-71, 3-81 | 1534180-1 | 3-28, 3-30 | 2-1670879-1 | 3-40 | 1-1718491-4 | 3-38, 3-47 |
| 9-1394050-1 | 3-73 | 1534180-2 | 3-28, 3-30 | 1703799-1 | 3-71, 3-81 | 1-1718492-1 | 3-37, 3-48 |
| 1394132-1 | 3-8 | 1534181-1 | 3-28, 3-29 | 1703804-1 | 3-81, 3-82 | 1-1718492-2 | 3-37, 3-48 |
| 1394133-1 | 3-8 | 1534184-1 | 3-28, 3-30 | 1703906-1 | 3-81, 3-82 | 1-1718492-3 | 3-37, 3-48 |
| 1394511-1 | 3-21 | 1534184-2 | 3-28, 3-30 | 1703997-1 | 3-80 | 1-1718492-4 | 3-37, 3-48 |
| 1394512-1 | 3-21 | 1534188-1 | 3-51 | 1718149-1 | 3-80, 3-95 | 1718495-1 | 3-68 |
| 1-1394765-1 | 3-50 | 1534238-1 | 3-65, 3-73, 3-92 | 1718149-2 | 3-69 | 1718558-1 | 3-5 |
| 2-1394765-1 | 3-50 | 1534334-1 | 3-4 | 1718155-1 | 3-69 | 1718559-1 | 3-5 |
| 2-1394766-1 | 3-50 | 1534335-1 | 3-4 | 1718156-1 | 3-68 | 1-1718626-1 | 3-61 |
| 3-1394766-1 | 3-50 | 1534399-1 | 3-29, 3-31 | 1718156-2 | 3-68 | 1-1718627-1 | 3-61 |
| 3-1394766-2 | 3-50 | 1534404-1 | 3-43 | 5-1718321-3 | 3-78, 3-86, 3-93 | 1-1718628-1 | 3-61 |
| 1-1418362-1 | 3-77, 3-94 | 1534404-2 | 3-43 | 5-1718323-1 | 3-78, 3-86 | 1-1718629-1 | 3-61 |
| 1-1418362-3 | 3-77, 3-94 | 1534531-1 | 3-30, 3-31, 3-55 | 1-1718324-1 | 3-77, 3-85 | 1718705-1 | 3-8 |
| 2-1418362-1 | 3-77, 3-94 | 1534579-1 | 3-30, 3-31 | 2-1718324-1 | 3-77, 3-85 | 1719043-1 | 3-21 |
| 2-1418362-3 | 3-77, 3-94 | 1-1564297-6 | 3-79 | 1718328-1 | 3-85, 3-86 | 1-1719385-1 | 3-24 |
| 5-1418363-1 | 3-78, 3-93 | 1579007-1 | 3-9, 3-11, 3-32, 3-33, 3-42, 3-59, 3-67, 3-70, 3-71, 3-72, 3-73, 3-74, 3-75, 3-77, 3-78, 3-79 | 1718329-1 | 3-85, 3-86 | 3-1719844-1 | 3-40 |
| 5-1418363-3 | 3-78, 3-93 | 1-1579007-1 | 3-4, 3-5, 3-32, 3-33, 3-47, 3-48, 3-67, 3-70, 3-72, 3-74, 3-75, 3-76, 3-77, 3-80, 3-82, 3-84, 3-85 | 1-1718386-1 | 3-24 | 7-1719844-1 | 3-40 |
| 1418408-1 | 3-5 | | | 1-1718484-1 | 3-35, 3-36, 3-38, 3-47, 3-48 | 1745043-1 | 3-70, 3-90 |
| 1418409-1 | 3-5 | | | 1-1718484-2 | 3-35, 3-36, 3-38, 3-47, 3-48 | 1745043-2 | 3-70, 3-90 |
| 1418410-1 | 3-5 | | | 1-1718484-3 | 3-35, 3-36, 3-38, 3-47, 3-48 | 1745043-3 | 3-70, 3-90 |
| 1418411-1 | 3-5 | | | 1-1718484-4 | 3-35, 3-36, 3-38, 3-47, 3-48 | 1745043-4 | 3-70, 3-90 |
| 1418882-1 | 3-77, 3-78, 3-79, 3-85, 3-86 | | | 1-1718485-1 | 3-34, 3-35, 3-37, 3-54, 3-56 | 1745044-1 | 3-70, 3-90 |
| 1-1418883-1 | 3-77, 3-85, 3-94 | | | 1-1718485-2 | 3-34, 3-35, 3-37 | 1745044-2 | 3-70, 3-90 |
| 2-1418883-1 | 3-77, 3-85, 3-94 | | | 1-1718485-3 | 3-34, 3-35, 3-37 | 1745045-1 | 3-67, 3-89 |
| 3-1418883-1 | 3-77, 3-85, 3-94 | | | 1-1718485-4 | 3-34, 3-35, 3-37 | 1745078-1 | 3-64 |
| 1418884-1 | 3-4 | | | | | 1745078-2 | 3-64 |
| 1418884-3 | 3-4 | | | | | 1801286-1 | 3-65 |
| 1418885-1 | 3-4 | | | | | 1801286-3 | 3-65 |
| 1418885-3 | 3-4 | | | | | 1801286-6 | 3-65 |
| 1418994-1 | 3-41 | | | | | 1801326-1 | 3-66 |
| 1-1452228-9 | 3-80, 3-95 | | | | | 1801326-3 | 3-66 |
| 1534046-1 | 3-28, 3-29, 3-53 | | | | | 1801326-4 | 3-66 |
| 1-1534126-1 | 3-71, 3-81 | | | | | 1801326-5 | 3-66 |
| 2-1534126-1 | 3-71, 3-81 | | | | | 1801326-6 | 3-66 |
| 3-1534126-1 | 3-71, 3-81 | | | | | 1813123-1 | 3-85, 3-86 |
| 1-1534127-1 | 3-73, 3-83, 3-92 | | | | | 1813123-2 | 3-85, 3-86 |

Numerical Index

| Part Number | Page | Part Number | Page | Part Number | Page |
|-------------|------------|-------------|-----------|-------------|------------|
| 2-1823402-1 | 3-74 | 2063435-1 | 3-13 | 2063626-1 | 3-17 |
| 3-1823402-1 | 3-74 | 2063490-1 | 3-12 | 2063627-1 | 3-17 |
| 1-1823440-2 | 3-72, 3-82 | 2063523-1 | 3-9 | 1-2112035-1 | 3-75, 3-84 |
| 1-1823440-3 | 3-72 | 2063524-1 | 3-4 , 3-5 | 1-2112041-1 | 3-75, 3-84 |
| 2-1823440-3 | 3-72 | 2063526-1 | 3-11 | 1-2112041-2 | 3-75, 3-84 |
| 3-1823440-3 | 3-72 | 2063531-1 | 3-11 | 1-2112045-1 | 3-84 |
| 4-1823440-3 | 3-72 | 2063532-1 | 3-9 | 2112046-1 | 3-75, 3-84 |
| 1-1823449-2 | 3-72, 3-82 | 2063533-1 | 3-13 | 1-2112162-1 | 3-73, 3-83 |
| 1-1823498-1 | 3-77, 3-94 | 2063534-1 | 3-9 | 2112166-1 | 3-83 |
| 2-1823498-1 | 3-77, 3-94 | 2063536-1 | 3-19 | 2112167-1 | 3-83 |
| 3-1823498-1 | 3-77 | 2063560-1 | 3-19 | 1-2112231-1 | 3-76 |
| 4-1823498-1 | 3-77 | 2063567-1 | 3-17 | 2112233-1 | 3-76 |
| 1823500-1 | 3-77 | 2063623-1 | 3-9 | 2112452-1 | 3-72 |
| 2063265-1 | 3-6 | 2063624-1 | 3-9 | 2119158-1 | 3-9 |
| 2063409-1 | 3-7 | 2063625-1 | 3-17 | 2119159-1 | 3-17 |

Disclaimer

While Tyco Electronics and its affiliates referenced herein have made every reasonable effort to ensure the accuracy of the information contained in this catalog, Tyco Electronics cannot assure that this information is error free. For this reason, Tyco Electronics does not make any representation or offer any guarantee that such information is accurate, correct, reliable or current. Tyco Electronics reserves the right to make any adjustments to the information at any time. Tyco Electronics expressly disclaims any implied warranty regarding the information contained herein, including, but not limited to, the implied warranties of merchantability or fitness for a particular purpose. Tyco Electronics' only obligations are those stated in Tyco Electronics' Standard Terms and Conditions of Sale. Tyco Electronics will in no case be liable for any incidental, indirect or consequential damages arising from or in connection with, including, but not limited to, the sale, resale, use or misuse of its products. Users should rely on their own judgment to evaluate the suitability of a product for a certain purpose and test each product for its intended application.

In case of any potential ambiguities or questions, please don't hesitate to contact us for clarification.

www.tycoelectronics.com

www.tycoelectronics.com/automotive

AMP, AMP MCP, TE (Logo) and Tyco Electronics are trademarks of the Tyco Electronics Group of Companies and its Licensors.