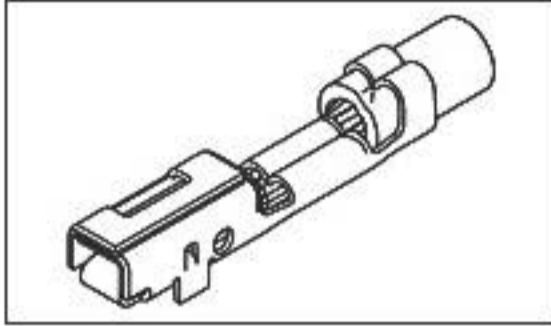


368085-1 Product Details

[Share](#) | [Print](#) | [Email](#)


368085-1

TE Internal Number: 368085-1

Active

MULTILOCK Connectors and Contacts

[Always EU RoHS/ELV Compliant \(Statement of Compliance\)](#)

Product Highlights:

- Contact
- Contact Type = Receptacle
- Applies To Wire/Cable
- Wire/Cable Type = Discrete Wire
- Wire Range = 0.30-0.60² [22-20] mm [AWG]

[View all Features](#)

[Add to My Part List](#) [Request Sample](#) [Find Similar Products](#) [Buy Product](#)

Quick Links

- ▶ [Check Pricing & Availability](#)
- ▶ [Search for Tooling](#)
- ▶ [Product Feature Selector](#)
- ▶ [Contact Us About This Product](#)

Documentation & Additional Information

Product Drawings:

- [.090 II MLC RECEPTACLE](#) (PDF, English)

Catalog Pages/Data Sheets:

- None Available

Product Specifications:

- None Available

Application Specifications:

- None Available

Instruction Sheets:

- None Available

CAD Files:

- None Available

Additional Information:

- [Product Line Information](#)

Related Products:

- [Tooling](#)

[List all Documents](#)

Product Features (Please use the Product Drawing for all design activity)

Product Type Features:

- [Product Type](#) = Contact
- [Wire/Cable Type](#) = Discrete Wire
- [Proprietary Name](#) = MULTILOCK
- [Product Series](#) = .090 II

Body Features:

- [Wire Range \(mm \[AWG\]\)](#) = 0.30-0.60² [22-20]

Contact Features:

- [Contact Type](#) = Receptacle
- [Contact Base Material](#) = Copper Alloy
- [Contact Plating, Mating Area, Material](#) = Pre-Tin

Industry Standards:

- [RoHS/ELV Compliance](#) = RoHS compliant, ELV compliant
- [Lead Free Solder Processes](#) = Not relevant for lead free process
- [RoHS/ELV Compliance History](#) = Always was RoHS compliant

Conditions for Usage:

- [Applies To](#) = Wire/Cable
- [Accepts Wire Insulation Diameter, Range \(mm \[in\]\)](#) = 1.10 - 2.30 [0.043 - 0.090]

Packaging Features:

- [Packaging Method](#) = Strip

Other:

- [Brand](#) = Tyco Electronics

Corporate Information

- [Who We Are](#)
- [Investors](#)
- [News Room](#)
- [Supplier Portal](#)
- [Careers](#)

Quick Links

- [Check Distributor Inventory](#)
- [Cross Reference](#)
- [Find Documents & Drawings](#)
- [Product Compliance Support Center](#)
- [Site Map](#)

Customer Support

- [Email or Chat With Us](#)
- [Find a Phone Number](#)
- [Search Knowledge Base](#)
- [Manage your Account](#)

Keep Me Informed

Receive TE News, Events & Technology Updates

