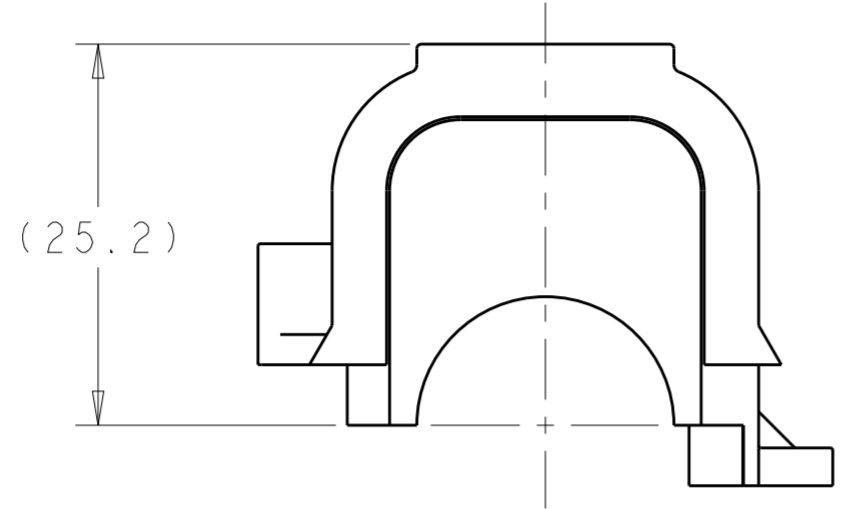
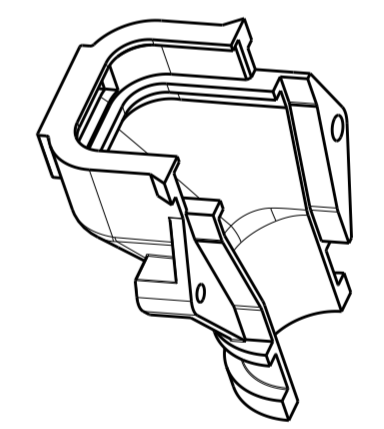
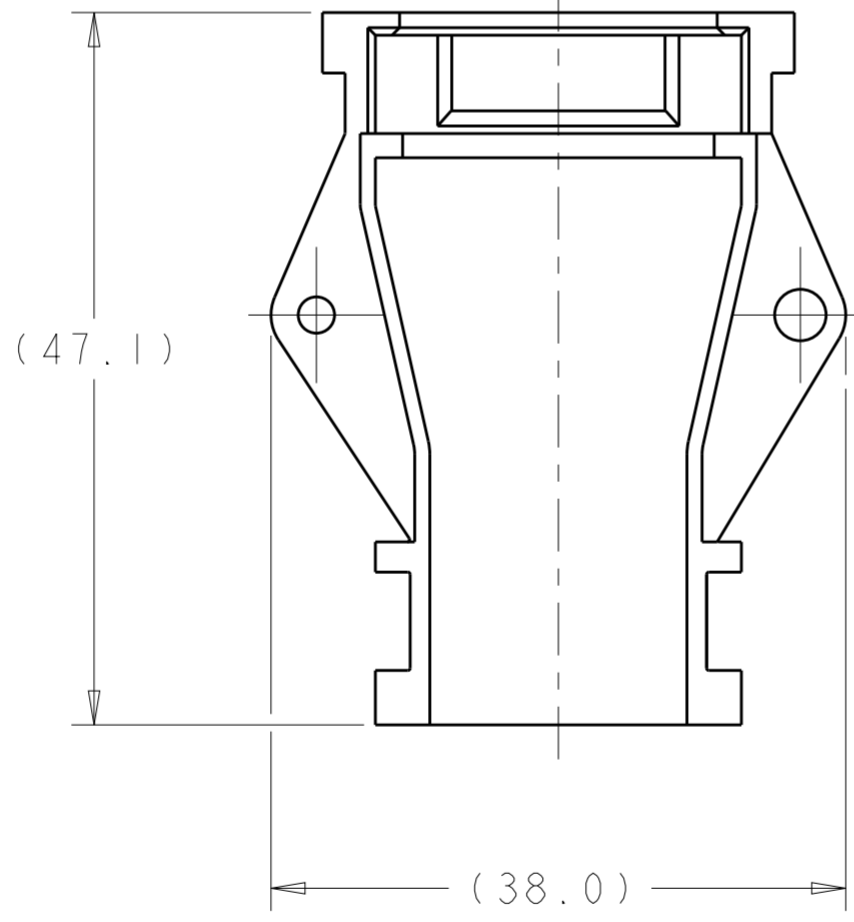
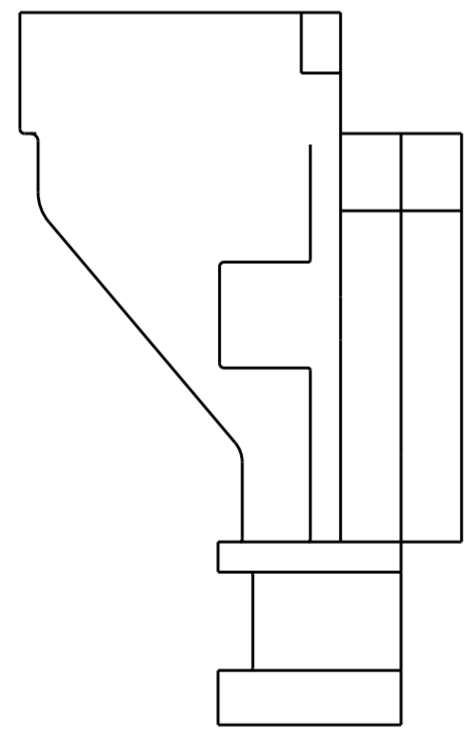


THIS DRAWING IS UNPUBLISHED. RELEASED FOR PUBLICATION 20
 © COPYRIGHT 20 BY - ALL RIGHTS RESERVED.

LOC	DIST	REVISIONS					
GE	00	P	LTR	DESCRIPTION	DATE	DWN	APVD
		B1		REVISED PER 0K40-0113-04	27APR2004	AG	MT
		B2		REVISED PER ECO-13-009966	18JUN2013	DD	DS



- 1. MATERIAL: PBT, 15% GLASS FILLED, COLOR: BLACK
- 2. ACCEPTS #4 SELF TAPPING SCREW (ELCO HI-LO THREAD CUTTING STYLE OR EQUIVALENT) TO BE DRIVEN AT 0.6 ± 0.2 N-M FOR INITIAL ASSEMBLY.
- 3. MATERIAL: PBT, 17% GLASS FILLED, UL RATED V-0/5VA, COLOR: GRAY



SCALE 1:1

3	776464-2
1	776464-1
MATERIAL	PART NUMBER

THIS DRAWING IS A CONTROLLED DOCUMENT.		DWN R. VESTAL 02APR2003	TE Connectivity WIRE RELIEF, 23 POSITION				
DIMENSIONS:		CHK M. TRULL 02APR2003					
mm		APVD M. TRULL 02APR2003					
TOLERANCES UNLESS OTHERWISE SPECIFIED: 0 PLC ± 1 PLC ± 2 PLC ±0.10 3 PLC ± 4 PLC ± ANGLES ±2° FINISH		PRODUCT SPEC -	SIZE	CAGE CODE	DRAWING NO	RESTRICTED TO	
MATERIAL		APPLICATION SPEC -	A200779	C-776464			
SEE NOTES		WEIGHT -	Customer Drawing		SCALE 2:1	SHEET 1 OF 1	REV B2