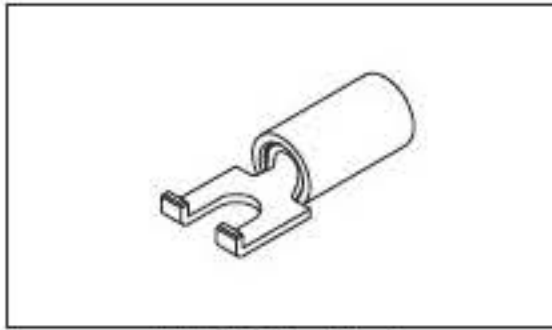


## 2-323144-1 Product Details

[Share](#) | [Print](#) | [Email](#)


2-323144-1

TE Internal Number: 2-323144-1  
✔ Active

[View 3D PDF](#)

### Ring and Spade Tongue Terminals

✔ [Always EU RoHS/ELV Compliant \(Statement of Compliance\)](#)

**Product Highlights:**

- Terminal Shape = Spade Tongue, Flanged
- Receptacle Style = Straight
- Body Style = SOLISTRAND
- Barrel Type = Closed Barrel
- Wire/Cable Type = Regular Wire

[View all Features](#)

### Quick Links

- ▶ [Check Pricing & Availability](#)
- ▶ [Search for Tooling](#)
- ▶ [Product Feature Selector](#)
- ▶ [Contact Us About This Product](#)

[Add to My Part List](#) | 
 [Request Sample](#) | 
 [Find Similar Products](#) | 
 [Buy Product](#)

### Documentation & Additional Information

**Product Drawings:**

- [TERMINAL, FLANGED SPADE, SOLISTRAND@PZTM \(PDF, English\)](#)

**Catalog Pages/Data Sheets:**

- None Available

**Product Specifications:**

- None Available

**Application Specifications:**

- None Available

**Instruction Sheets:**

- None Available

**CAD Files:** ([CAD Format & Compression Information](#))

- [2D Drawing \(DXF, Version D\)](#)
- [3D Model \(IGES, Version D\)](#)
- [3D Model \(STEP, Version D\)](#)

[List all Documents](#)

**Additional Information:**

- [Product Line Information](#)

**Additional Product Images:**

- [Product Photo](#)

**Related Products:**

- [Tooling](#)

### Product Features (Please use the Product Drawing for all design activity)

**Product Type Features:**

- [Terminal Shape](#) = Spade Tongue, Flanged
- [Receptacle Style](#) = Straight
- [Body Style](#) = SOLISTRAND
- [Barrel Type](#) = Closed Barrel
- [Wire/Cable Type](#) = Regular Wire
- [Insulation](#) = No
- [Insulation Support](#) = Non-Insulation Support
- [Stud Diameter \(mm \[in\]\)](#) = 4.82 [0.190]
- Stud Size = 10
- [Shape](#) = SPADE-027
- [Heavy Duty](#) = No
- [Material](#) = Copper
- [Finish](#) = Tin

**Termination Features:**

- Wire/Cable Size (CMA) = 5,180 - 13,100

**Body Features:**

- [Wire Range \(mm \[AWG\]\)](#) = 3.00-6.00<sup>2</sup> [12-10]
- [Barrel I.D. Min. \(mm \[in\]\)](#) = 3.28 [0.129]
- [Stock Thickness \(mm \[in\]\)](#) = 1.07 [0.042]

**Industry Standards:**

- [Government/Industry Qualification](#) = No
- [RoHS/ELV Compliance](#) = RoHS compliant, ELV compliant
- [Lead Free Solder Processes](#) = Not relevant for lead free process
- [RoHS/ELV Compliance History](#) = Always was RoHS compliant

**Packaging Features:**

- [Packaging Method](#) = Tape Mounted

**Other:**

- Brand = AMP

#### Corporate Information

- [About TE](#)
- [Investors](#)
- [News Room](#)
- [Supplier Portal](#)
- [Careers](#)

#### Quick Links

- [Check Distributor Inventory](#)
- [Cross Reference Products](#)
- [Find Documents & Drawings](#)
- [Product Compliance Support Center](#)
- [Site Map](#)

#### Customer Support

- [Email or Chat With Us](#)
- [Find a Phone Number](#)
- [Search Knowledge Base](#)
- [Manage Your Account](#)

#### Keep Me Informed

Receive TE News, Events & Technology Updates

[▶](#)

