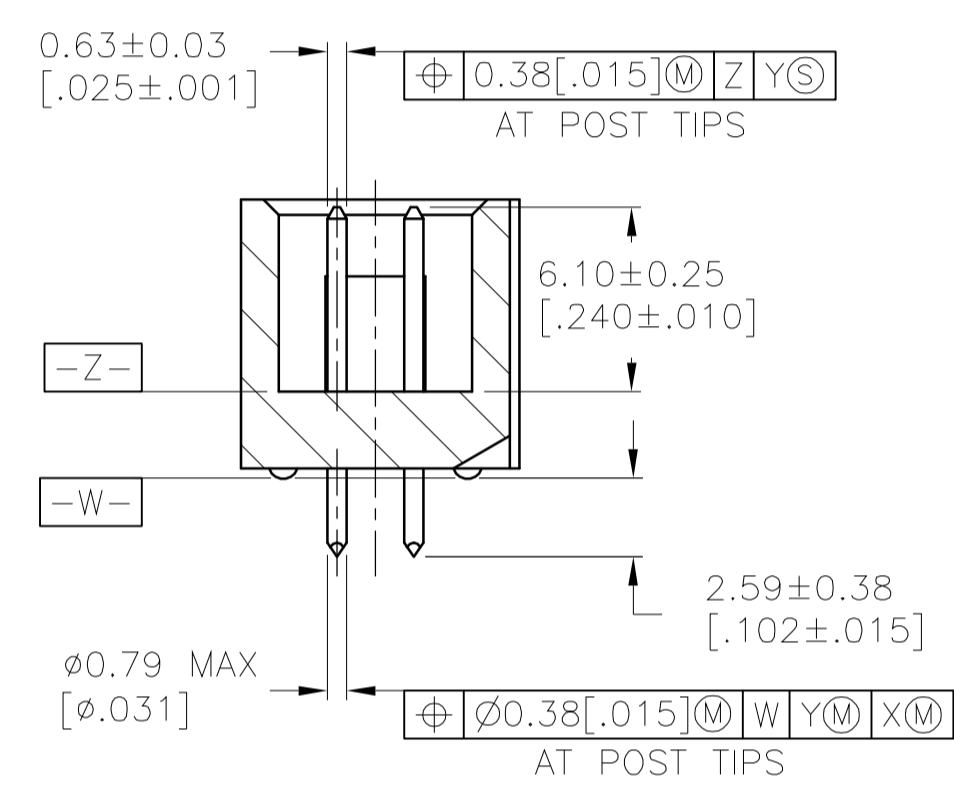
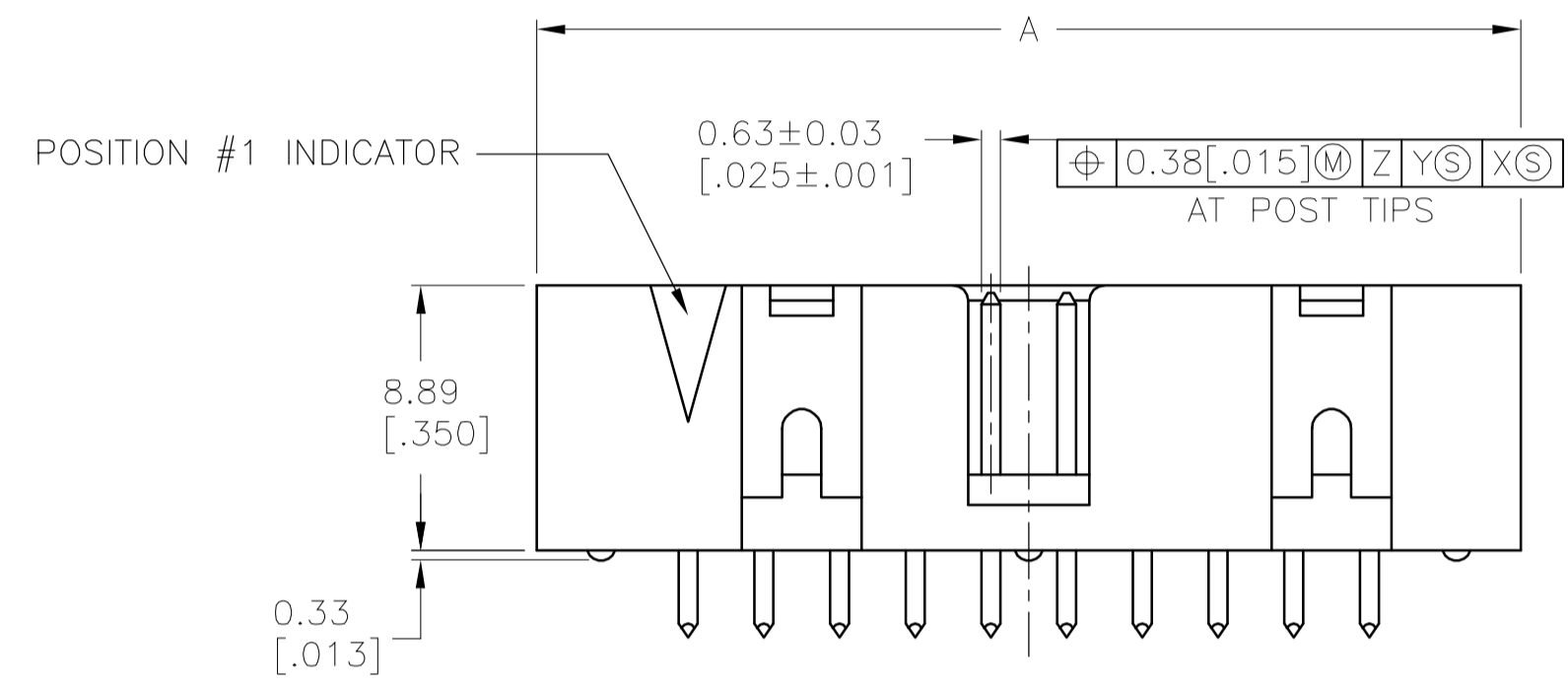
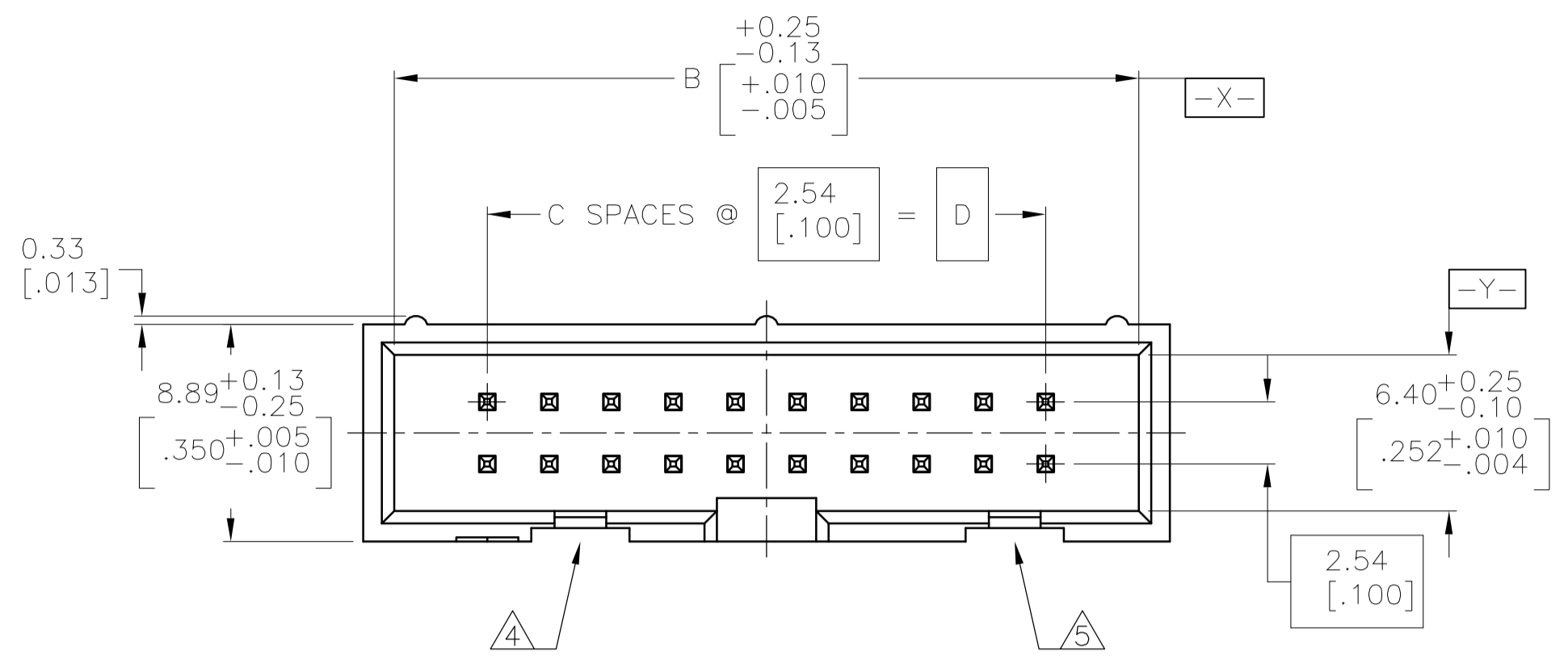
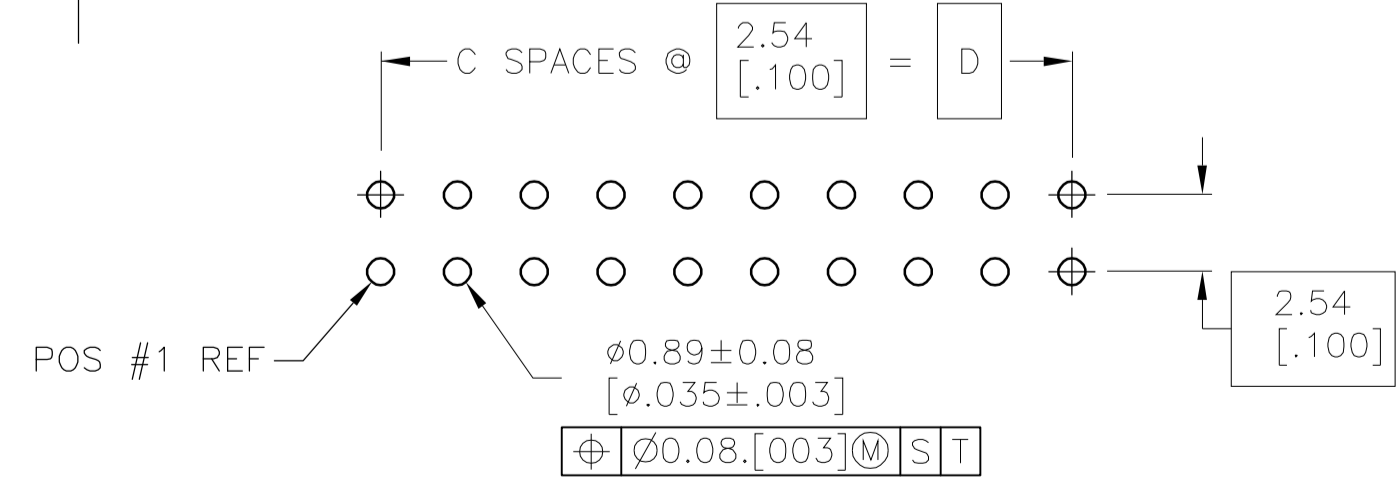
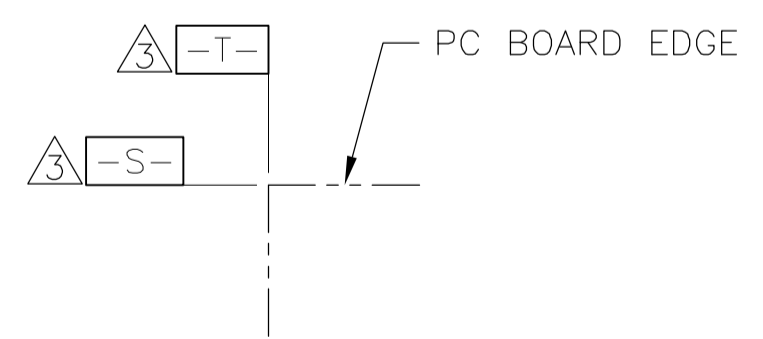


LOC		DIST		REVISIONS				
P	LTR	DESCRIPTION	DATE	BY	APP'D			
B		REVISE3D PER EC 0512-0210-05	19JUL06	BM	SB			



- △ HOUSING: PBT, UL94V-0, COLOR BLACK.
- △ POSTS: PHOSPHOR BRONZE.
- △ POSTS: 0.00038[.000015] MIN GOLD ON MATING AREA, 0.00254[.000100] MIN TIN ON SOLDER END, ALL OVER 0.00127[.000050] MIN NICKEL ON ENTIRE POST.
- △ DATUMS S & T TO BE ESTABLISHED BY CUSTOMER.
- △ NO KEYING SLOT ON THIS END FOR 6, 8, 10, 12 & 14 POSITION ASSEMBLIES.
- △ NO KEYING SLOT ON THIS END FOR 6, 8 & 10 POSITION ASSEMBLIES.



RECOMMENDED PC BOARD LAYOUT  
(VIEWED FROM CONNECTOR SIDE)

	D	C	B	A	NO OF POS	PART NUMBER
	73.66 [2.900]	29	81.28 [3.200]	83.82 [3.300]	60	1-1761602-6
	60.96 [2.400]	24	68.58 [2.700]	71.12 [2.800]	50	1-1761602-5
OBsolete	53.34 [2.100]	21	60.96 [2.400]	63.50 [2.500]	44	1-1761602-4
	48.26 [1.900]	19	55.88 [2.200]	58.42 [2.300]	40	1-1761602-3
	40.64 [1.600]	16	48.26 [1.900]	50.80 [2.000]	34	1-1761602-1
	30.48 [1.200]	12	38.10 [1.500]	40.64 [1.600]	26	1761602-9
	27.94 [1.100]	11	35.56 [1.400]	38.10 [1.500]	24	1761602-8
	22.86 [0.900]	9	30.48 [1.200]	33.02 [1.300]	20	1761602-7
	17.78 [0.700]	7	25.40 [1.000]	27.94 [1.100]	16	1761602-6
	15.24 [0.600]	6	22.86 [0.900]	25.40 [1.000]	14	1761602-5
	10.16 [0.400]	4	17.78 [0.700]	20.32 [0.800]	10	1761602-3

THIS DRAWING IS A CONTROLLED DOCUMENT.

DIMENSIONS: MM [INCHES]	TOLERANCES UNLESS OTHERWISE SPECIFIED:	0 PLC ± -	1 PLC ± -	2 PLC ± -	3 PLC ± 0.13[.005]	4 PLC ± -	ANGLES ± -
-------------------------	--	-----------	-----------	-----------	--------------------	-----------	------------

MATERIAL: △ FINISH: △

THIS DRAWING IS A CONTROLLED DOCUMENT. DWG: J.GERACE 13JAN05. CHK: S.BOLASH 13JAN05. APD: M.WALMSLEY 13JAN05. NAME: M.WALMSLEY. PRODUCT SPEC: HEADER ASSEMBLY, VERTICAL, LOW PROFILE, IDC. APPLICATION SPEC: DRAWING NO: 1761602. WEIGHT: -. SCALE: A1 00779. CUSTOMER DRAWING. SHEET: 1 OF 1. REV: B.