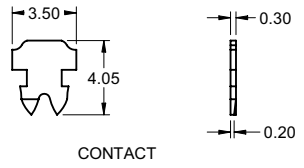
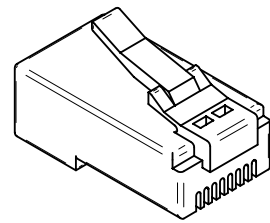
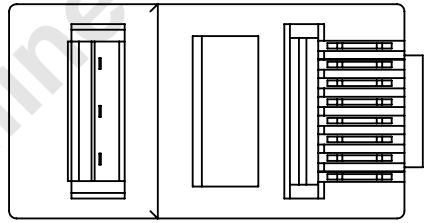
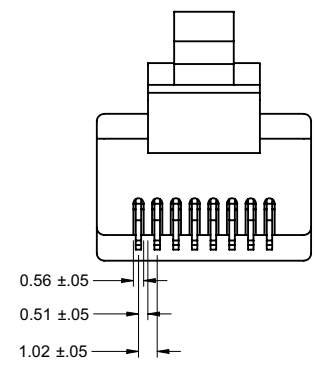
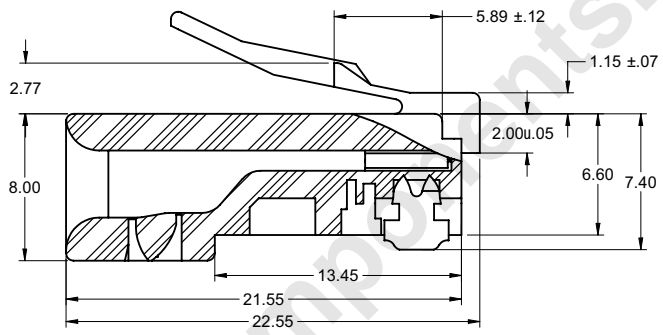
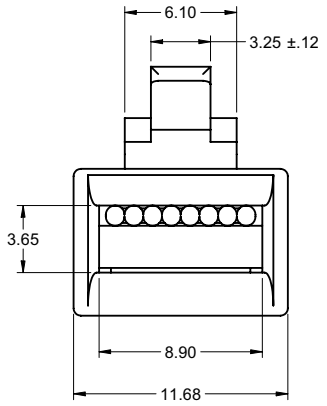
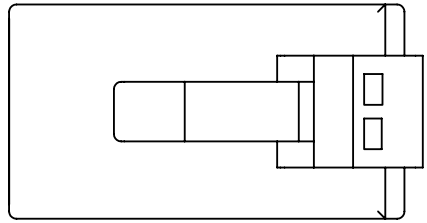


**受控 CONTROLLED DOCUMENT**

编号 P/N	32- 5958UL	版本 Rev	0B	日期 Rel'd Date	Mar 24,08
-----------	---------------	-----------	----	------------------	-----------

DRAWING NO. 32-5958UL					
REVISIONS					
A	RELEASE FOR QUOTATION				
	08-31-05	Y	W	T	T
B	ADDED: NOTE 4 & 5, CONTACT				
	10-26-05	Y	W	T	T



**NOTES:**

**1. ELECTRICAL SPECIFICATIONS**

INSULATION RESISTANCE: 1000 MEGOHMS  
WITHSTAND VOLTAGE: 1000V,AC/ MINUTE

**2. MECHANICAL SPECIFICATIONS**

CONTACT MATERIAL: PHOSPHOR BRONZE 0.3MM THICKNESS  
CONTACT PLATING: 50 MICRO-INCH GOLD PLATE OVER 100 MICRO-INCH NICKEL PLATING  
HOUSING MATERIAL: POLYCARBONATE  
DURABILITY: 1000 CYCLES MIN  
UL FLAMABLY RATING: 94-V0

**3. ENVIRONMENTAL SPECIFICATIONS**

TEMPERATURE RANGE: -40 °C TO +70 °C

**4. FOR FLAT OVAL OR ROUND CABLE**

**5. FOR SOLID OR STRANDED WIRE APPLICATIONS**

THIS DRAWING TO BE INTERPRETED PER ANSI Y 14.5M - 1994

**COMPANY CONFIDENTIAL**

TOLERANCE UNLESS OTHERWISE SPECIFIED		DRAWN BY BETTY.YU	DATE 10-26-05
DECIMALS	mm	CHECKED BY IVON.W	DATE 10-26-05
X	± 0.5	APPROVED BY THOMAS	DATE 10-26-05
X.X	± 0.15	U/M	mm
X.XX	± 0.10		
ANGLES	± 0.5V		

<b>EMERSON</b> Network Power		<b>Connectivity Solutions</b>	
TITLE RJ45 MOD PLUG 50"U,STR,FLAT			
SHEET 1 OF 1	DRAWING NO. 32-5958UL	SIZE C	

THIS DRAWING WAS PRODUCED BY COMPUTER, DO NOT SCALE DRAWING OR UPDATE MANUALLY.